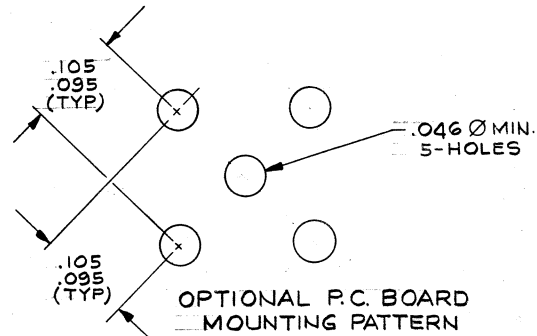
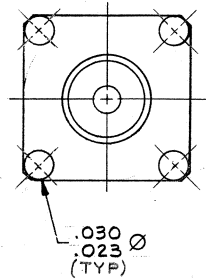
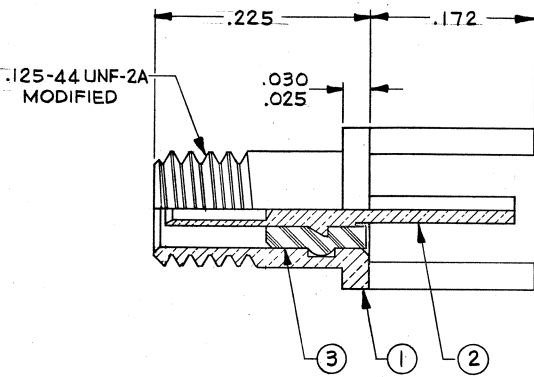


| REVISIONS | | | | | |
|-----------|-----|-------|---|-----------|----------|
| ZONE | LTR | ECN | DESCRIPTION | DATE | APPROVED |
| | D | 23403 | REVISED & REDRAWN (ORIGINALLY WAS ON 141-0004-0001-CDM) | 10-12-70 | BAH |
| | E | 34606 | .003/.015 WAS: .010/.020 | 6-1-93 | PS |
| | F | 38534 | REVISION UPDATE | 1-28-99 | PS |
| | G1 | | UPDATE PER ECO-10-013761 | 22 JUN 10 | MJS |



NOTES : UNLESS OTHERWISE SPECIFIED

- MATES WITH ALL LEpra/CON 142 SCREW-ON SERIES PLUGS.
- ALL METALLIC PARTS ARE GOLD PLATED PER MIL-G-45204, TYPE II, GRADE C, CLASS I.

| QTY. | DESCRIPTION | MATERIAL | ITEM NO. |
|------|---------------------|----------------|----------|
| 1 | INSULATOR | TEFLON L-P-403 | 3 |
| 1 | P.C. CONTACT SOCKET | BRASS QQ-B-626 | 2 |
| 1 | P.C. HOUSING | BRASS QQ-B-626 | 1 |

| | | | | | |
|--|--|-----------------------|--|--|--|
| UNLESS OTHERWISE SPECIFIED DIMENSIONS ARE IN INCHES TOLERANCES ARE: FRACTIONS DECIMALS ANGLES ± .XX ± .010 ± .XXX ± | | CONTRACT NO. | | MALCO A MICRODOT COMPANY, INC. 220 PASADENA AVE., SO. PASADENA, CALIF. 91030 | |
| DRAWN M. PAVICO 5-31-78 | | APPROVALS | | PRINTED CIRCUIT RECEPTACLE LEpra/CON 141-0004-0001 | |
| CHECKED C. HAETRICK 7-24-78 | | DATE | | SIZE B CODE IDENT NO. 98278 DRAWING NO. 1-1532006-3 | |
| MATERIAL SEE PARTS LIST | | PR. ENG. BAH 10-11-78 | | PROD. CODE 946 CODE CD | |
| FINISH | | APPROVED | | SCALE 10:1 SHEET 1 OF 1 | |
| NEXT ASSY USED ON APPLICATION | | DO NOT SCALE DRAWING | | These drawings and specifications are the property of Microdot Inc. and should not be reprinted, copied, or used as the basis for the manufacture or sale of any article without written permission of Microdot Inc. | |