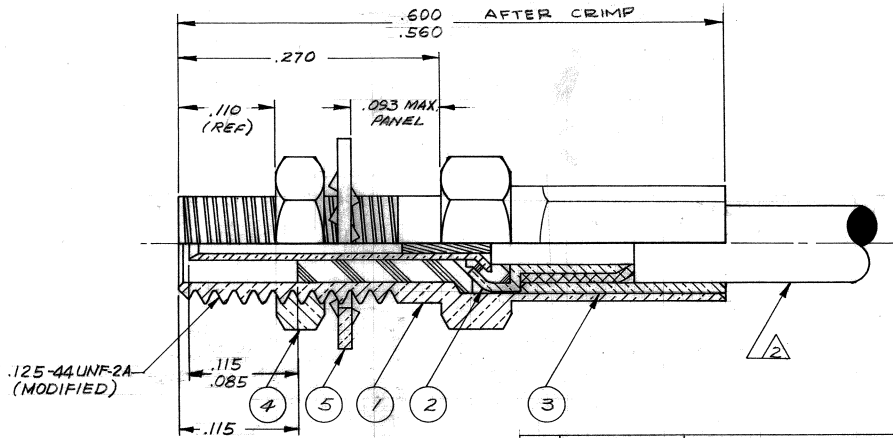
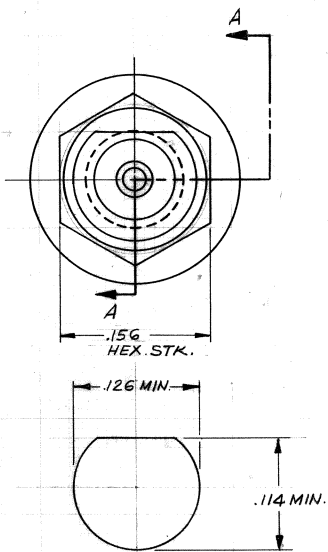


CDM 141-0001-0001

These drawings and specifications are the property of Microdot Inc., are issued in strict confidence and shall not be divulged, be reproduced or copied, or used as the basis for the manufacture or sale of any article without written permission of Microdot Inc.



Tyco Dwg 1495008
Micro P/N 141-0001-0001

QTY	PART NO.	NOMENCLATURE	MAT'L & SPEC	ITEM
1	014-0013-0002	LOCKWASHER	#425 BRONZE ALLOY	5
1	014-0012-0002	MOUNTING NUT	BRASS, QQ-B-626	4
1	014-0004-0002	CRIMP SLEEVE	LEADED COPPER OR O.F.H.C. COPPER	3
1	014-0009-0002	CONTACT, SOCKET	LEADED COPPER OR O.F.H.C. COPPER	
1	014-0002-0002	FERRULE	BRASS, QQ-B-626	
1	014-0001-0001	INSULATOR, FERRULE	TEFLON, L-P-403	
1	014-1003-0001	SOCKET CONTACT SUBASSY.		2
1	014-0007-0002	HOUSING, BULKHEAD JACK	BRASS, QQ-B-626	
1	014-0011-0001	INSULATOR	TEFLON, L-P-403	
1	014-1010-0001	HOUSING SUBASSY		1

4. SEE RF-ASMB-12 FOR CABLE ASSEMBLY INSTRUCTIONS. ASSY. TOOL REQ'D: 010-0132-0000 FOR HOUSING AND 010-0150-0000 FOR CONTACT.
3. MATES WITH ALL LEPRACON 142 SCREW-ON SERIES PLUGS.
2. CABLE ACCEPTANCE DIM'S - CENTER COND. .012 NOM., DIELECTRIC .040 MAX, JACKET .081 MAX.
1. ALL METALLIC PARTS ARE GOLD PLATED PER MIL-G-45204, TYPE II, GRADE C, CLASS I.

NOTES: UNLESS OTHERWISE SPECIFIED

ASSEMBLY	NO	REC'D	LET	ECO	REVISION DESCRIPTION	BY	CHK	DATE	APP
A		5304	RELEASE FOR PROD.	UM	1/16/76				
B		6043	COMPONENT NO. UPDATED	JK	1/16/76				
C		7123	ITEM 4, MAT'L SPEC WAS BRASS QQ-B-626, COMP. 22.	JK	1/16/76				
D		7332	SEE BCK FOR CHANGES	JK	1/16/76				
E		8899	ITEM 5 MAT'L WAS: P/BREE QQ-B-73	LM	1/16/76				
F		9520	UPDATE REVISION LETTER	JK	1/16/76				

STANDARD TOLERANCES UNLESS OTHERWISE SPECIFIED		DEC. = .010	
FRAC. =		ANGLES = 5°	
ECCENTRICITY		MAX. TIR.	
HOLE DIA. =		SURFACE ROUGHNESS	
MICRO INCHES		THREADS TO MIL-S-7742	
COMMERCIAL TOLERANCES APPLY TO STOCK DIMENSIONS		MATERIAL	
NOTED		NOTED	
MATERIAL		APP	
NOTED		APP	
CHECKED BY		DATE	
DRAWN BY		DATE	
SCALE		WT	
3/46		2/24/66	
CODE		DRAWING NUMBER	
CDM		141-0001-0001	

BULKHEAD JACK, SCREW-ON, LEPRACON