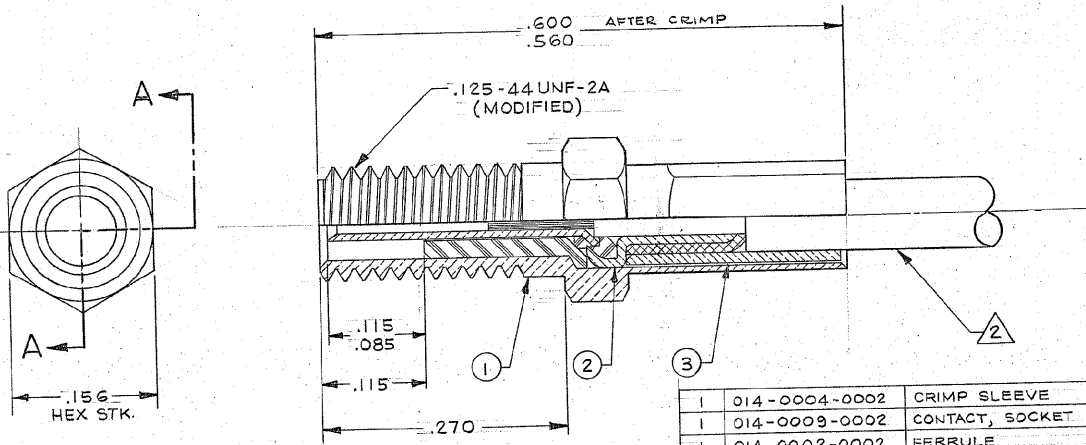


REVISIONS					
ZONE	LTR	ECN	DESCRIPTION	DATE	APPROVED
D		23320	REVISED (REDRAWN)	5-9-78	[Signature]
E		39702	UPDATE REV LETTER.	12-3-79	[Signature]

SECTION A-A



NOTES: UNLESS OTHERWISE SPECIFIED

1. ALL METALLIC PARTS ARE GOLD PLATED PER MIL-G-45204, TYPE II, GRADE C, CLASS I.
2. CABLE ACCEPTANCE DIMENSIONS - CENTER COND. .012 NOM., DIELECTRIC .040 MAX., JACKET .081 MAX.
3. MATES WITH ALL LEPR/CON 142 SCREW-ON SERIES PLUGS.
4. SEE RF-ASMB-12 FOR CABLE ASSEMBLY INSTRUCTIONS. ASSY. TOOL REQUIRED: 010-0132-0000 FOR HOUSING AND 010-0150-0000 FOR CONTACT.

QTY.	PART NO.	DESCRIPTION	MATERIAL	ITEM NO.
1	014-0004-0002	CRIMP SLEEVE	LEADED COPPER OR O.F.H.C. COPPER	3
1	014-0009-0002	CONTACT, SOCKET	LEADED COPPER OR O.F.H.C. COPPER	
1	014-0002-0002	FERRULE	BRASS, QQ-B-626	
1	014-0001-0001	INSULATOR, FERRULE	TEFLON, L-P-403	
1	014-1003-0001	SOCKET CONTACT SUBASSY		2
1	014-0010-0002	HOUSING, STRAIGHT JACK	BRASS, QQ-B-626	
1	014-0011-0001	INSULATOR	TEFLON, L-P-403	
1	014-1010-0002	HOUSING SUBASSY		1

PARTS LIST

UNLESS OTHERWISE SPECIFIED DIMENSIONS ARE IN INCHES TOLERANCES ARE: FRACTIONS DECIMALS ANGLES ± .XX ± .010 ± 5°		CONTRACT NO.		MALCO A MICRODOT COMPANY, INC. 220 PASADENA AVE., SO. PASADENA, CALIF. 91030	
MATERIAL		APPROVALS		DATE	
NOTED		DRAWN		M. PAVICO 4-26-78	
FINISH		CHECKED		O.E. HARTRICK 5-2-78	
NOTED		PR. ENG.		E.M. 5-3-78	
APPROVED		APPROVED			
NEXT ASSY		SIZE		CODE IDENT NO.	
USED ON		B		98278	
APPLICATION		DRAWING NO.		141-0000-0001	
DO NOT SCALE DRAWING		SCALE 10:1		SHEET 1 OF 1	

BISHOP GRAPHICS/ACUPRESS REORDER NO. 2196

Property of Tyco Electronics Corporation October, 2001
 CUSTOMER DRWG: 1-1532006-0 REV: E PG 1 OF 1