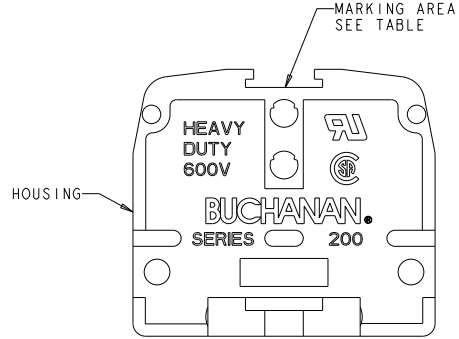
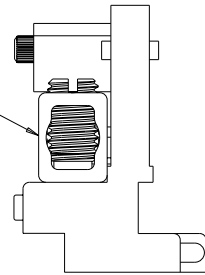
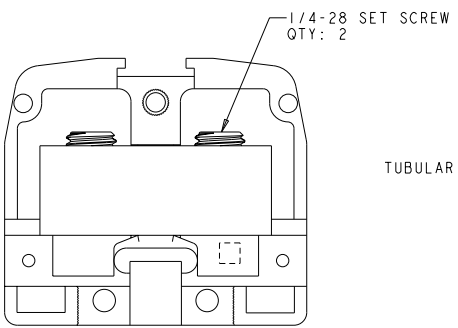
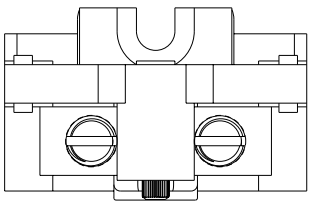


THIS DRAWING IS UNPUBLISHED. RELEASED FOR PUBLICATION
 BY TYCO ELECTRONICS CORPORATION. ALL RIGHTS RESERVED.

REVOLUTIONS		DATE	BY	APPD
P	LTB			
A	RELEASED	27SEP2005	SW	SY



- PHYSICAL PROPERTIES**
 HOUSING: PHENOLIC, UL 94V-1 RATED, COLOR: BLACK.
 TUBULAR CONTACT: COPPER ALLOY, ZINC PLATED.
 SET SCREW: STEEL, ZINC PLATED CLEAR NON-HEXAVALENT CHROMATE.
- MECHANICAL**
 PITCH: .560
 MOUNTING: DIRECT MOUNT.
 OPERATING TEMPERATURE: 150°C MAX.
 TORQUE: RECOMMENDED TIGHTENING TORQUE IS 35 IN-LBS.
- ELECTRICAL**
 MAXIMUM CURRENT: 85A
 OPERATING VOLTAGE: 600 V
 WIRE RANGE: 4-18 AWG.

PAINTED WHITE	222-BU	3-1437390-3
PLAIN	212	1447502-1
MARKING AREA	CATALOG NUMBER	PART NUMBER

<small>THIS DRAWING IS UNPUBLISHED. RELEASED FOR PUBLICATION BY TYCO ELECTRONICS CORPORATION. ALL RIGHTS RESERVED.</small>		DWR S WELDON 27SEP2005 CMC S YODER 27SEP2005 APD S YODER 27SEP2005	BUCHANAN Tyco Electronics Harrisburg, PA 17105-3600
DIMENSIONS: INCHES 0 PLC .8 1 PLC .80-1 2 PLC .80-5 3 PLC .80-000 4 PLC .80-0000	TOLERANCES UNLESS OTHERWISE SPECIFIED: .0005 .001 .002 .005 .010 .015 .030 .050 .100 .150 .300 .500 1.000 2.000 5.000 10.000	PRODUCT SPEC APPLICATION SPEC WEIGHT CUSTOMER DRAWING	ASSEMBLY, TERMINAL BLOCK, NEMA, FLAT BASE, HEAVY DUTY, PHENOLIC, TUBULAR SCREW SIZE CASE CODE DRAWING NO. RESTRICTED TO A200779 C=2-1437390-8 SCALE 3:1 SHEET 1 OF 1 REV A