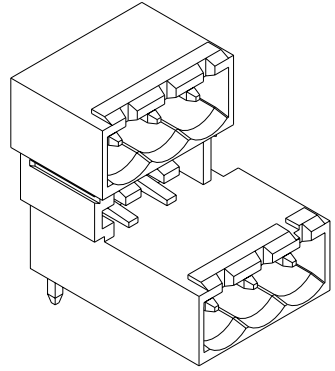
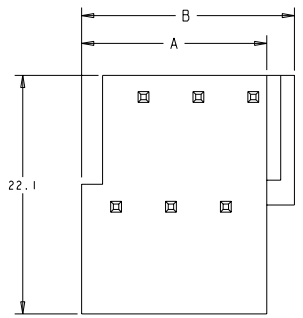


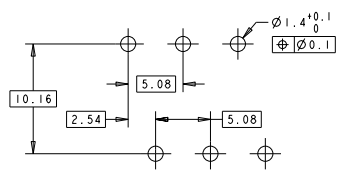
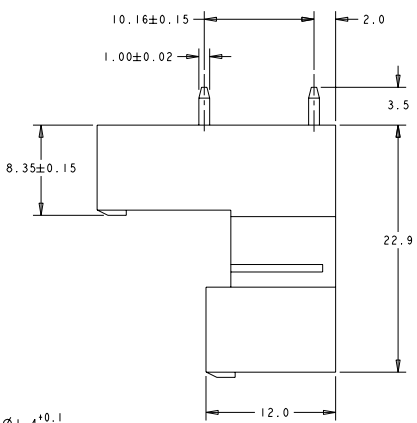
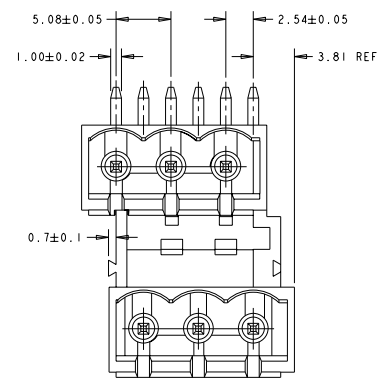
THIS DRAWING IS UNPUBLISHED. RELEASED FOR PUBLICATION  
 BY TYCO ELECTRONICS CORPORATION. ALL RIGHTS RESERVED.

REVOLUTIONS		DATE	BY	APPD
P	LTB	DESCRIPTION		
0		RELEASED EC 063B-0612-04	28JUL2005	SW CR



1776167-3 AS SHOWN

- △ MATERIALS AND FINISH  
 HOUSING: HIGH TEMPERATURE POLYAMIDE, UL 94V-0 RATED, COLOR: BLACK.  
 TERMINAL: PHOSPHOR BRONZE, TIN PLATED.
- 2. SUITABLE FOR 1.6-2.4mm PC BOARD THICKNESS.
- 3. P/N FROM 1776167-4 TO 1776167-8 ARE OBTAINED BY ASSEMBLING  
 1776167-2 AND 1776167-3 TO ACHIEVE THE  
 DESIRED NUMBER OF POSITIONS.



RECOMMENDED PC BOARD LAYOUT

B	A	NO OF POSN	PART NUMBER
45.22	42.68	8	1776167-8
40.14	37.60	7	1776167-7
35.06	32.52	6	1776167-6
29.98	27.44	5	1776167-5
24.90	22.36	4	1776167-4
19.82	17.28	3	1776167-3
14.74	12.20	2	1776167-2

DIMENSIONS: mm 0 PLC R: - 1 PLC R: 3 2 PLC R: 25 3 PLC R: - 4 PLC R: - ANGLE: 90 FINISH: -		DIMENSIONS: INCHES OTHER: - FINISH: -		DWN: S. WELDON 9JUL2005 CHK: C. RICHARD 9JUL2005 APPR: C. RICHARD 9JUL2005 PRODUCT SPEC: - APPLICATION SPEC: -	<b>BUCHANAN</b> Tyco Electronics Harrisburg, PA 17105-3608
MATERIAL: - WEIGHT: - CUSTOMER DRAWING: -		NAME: TERMINAL BLOCK HEADER ASSEMBLY, MULTIPLE, 90 DEGREE, CLOSED ENDS, 5.08mm PITCH SIZE: A2 CASE CODE: 00779 DRAWING NO: 1776167		RESTRICTED TO: - SCALE: 4:1 SHEET: 1 OF 1 REV: 0	

AMP 1471-3 REV 31MAR2000