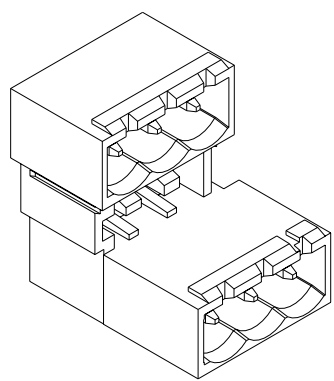
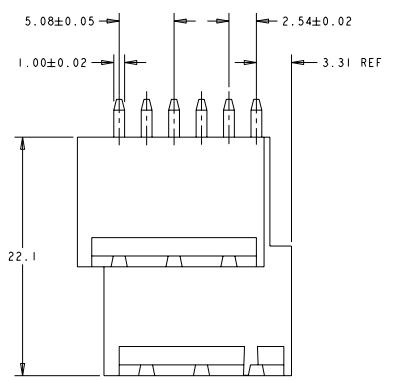
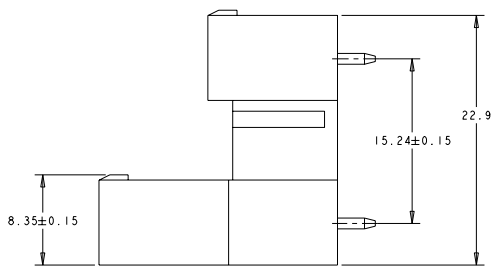
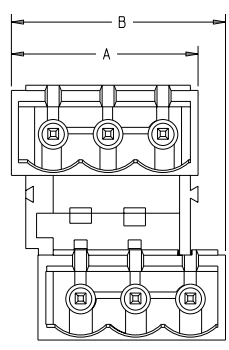


THIS DRAWING IS UNPUBLISHED. RELEASED FOR PUBLICATION
 BY TYCO ELECTRONICS CORPORATION. ALL RIGHTS RESERVED.

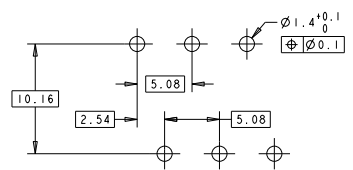
LOC		DIST		REVISIONS			
P	LTB	DESCRIPTION	DATE	BY	CHK	APPD	
0		RELEASED EC 063B-0612-04	01AUG2005	SW	CR		



- △ MATERIALS AND FINISH
 HOUSING: HIGH TEMPERATURE POLYAMIDE, UL 94V-0 RATED, COLOR: BLACK.
 TERMINAL: PHOSPHOR BRONZE, TIN PLATED.
- 2. SUITABLE FOR 1.6-2.4mm PC BOARD THICKNESS.
- 3. P/N FROM 1776165-4 TO 1776165-8 ARE OBTAINED BY ASSEMBLING 1776165-2 AND 1776165-3 TO ACHIEVE THE DESIRED NUMBER OF POSITIONS.



B	A	NO OF POSN	PART NUMBER
45.22	42.68	8	1776165-8
40.14	37.60	7	1776165-7
35.06	32.52	6	1776165-6
29.98	27.44	5	1776165-5
24.90	22.36	4	1776165-4
19.82	17.28	3	1776165-3
14.74	12.20	2	1776165-2



RECOMMENDED PC BOARD LAYOUT

DIMENSIONS: mm 0 PLC ±.3 1 PLC ±.3 2 PLC ±.3 3 PLC ±.3 4 PLC ±.3 ANGLE: 90° FINISH:		TOLERANCE UNLESS OTHERWISE SPECIFIED: DIMS: WELDING: ±.125 DIMS: RICHARD: ±.125 DIMS: RICHARD: ±.125		DWN: S. WELDON 01AUG2005 CHK: C. RICHARD 01AUG2005 APD: C. RICHARD 01AUG2005 PRODUCT SPEC: APPLICATION SPEC: MATERIAL: △ WEIGHT: △ CUSTOMER DRAWING		BUCHANAN Tyco Electronics Harrisburg, PA 17105-3608 NAME: TERMINAL BLOCK HEADER ASSEMBLY, MULTIPLE, 180 DEGREE, CLOSED ENDS, 5.08mm PITCH SIZE: A200779 ©=1776165 SCALE: 4:1 SHEET 1 OF 1 REV 0	
--	--	---	--	--	--	--	--