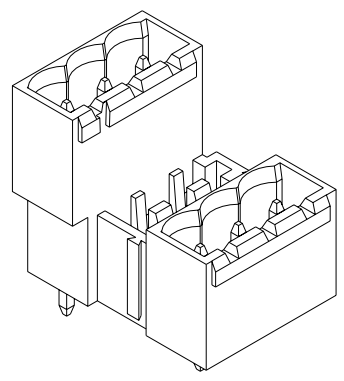
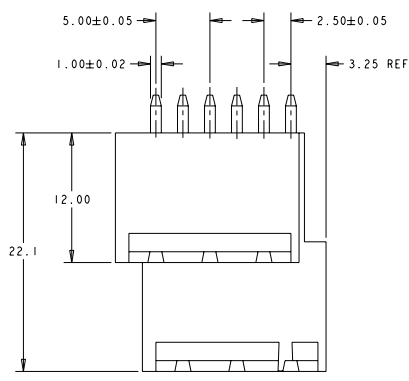


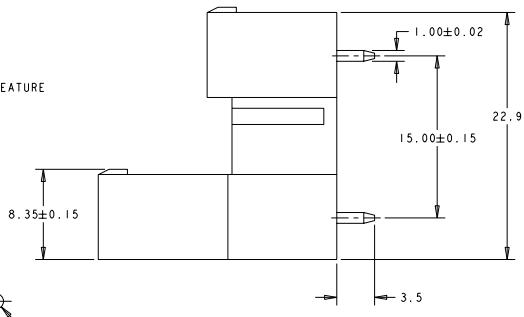
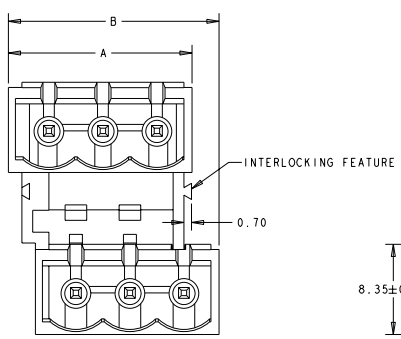
THIS DRAWING IS UNPUBLISHED. RELEASED FOR PUBLICATION BY TYCO ELECTRONICS CORPORATION. ALL RIGHTS RESERVED. COPYRIGHT 20

LOC		DIST		REVISIONS			
P	LTB	DESCRIPTION	DATE	BY	APPD	SW	CR
0		RELEASED EC 063B-0612-04	12JUL2005	SW	CR		

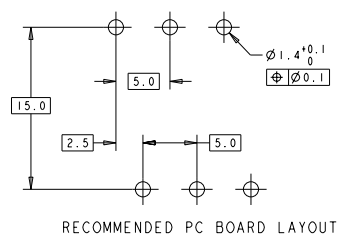


- △ MATERIALS AND FINISH
HOUSING: HIGH TEMPERATURE POLYAMIDE, UL 94V-0 RATED, COLOR: BLACK.
TERMINAL: PHOSPHOR BRONZE, TIN PLATED.
- 2. SUITABLE FOR 1,6-2,4mm PC BOARD THICKNESS.
- 3. P/N FROM 1776164-4 TO 1776164-8 ARE OBTAINED BY ASSEMBLING 1776164-2 AND 1776164-3 TO ACHIEVE THE DESIRED NUMBER OF POSITIONS.

1776164-3 AS SHOWN



B	A	NO OF POSN	PART NUMBER
44.5	42.0	8	1776164-8
39.5	37.0	7	1776164-7
34.5	32.0	6	1776164-6
29.5	27.0	5	1776164-5
24.5	22.0	4	1776164-4
19.5	17.0	3	1776164-3
14.5	12.0	2	1776164-2



RECOMMENDED PC BOARD LAYOUT

DIMENSIONS: mm 0 PLC 1 PLC 2 PLC 3 PLC 4 PLC		TOLERANCES UNLESS OTHERWISE SPECIFIED: R: .3 B: .25 F: .1		DWN: S. WELDON 2JUL2005 CHK: C. RICHARD 2JUL2005 APP: C. RICHARD 2JUL2005	BUCHANAN Tyco Electronics Harrisburg, PA 17105-3608
MATERIAL:				NAME: TERMINAL BLOCK HEADER ASSEMBLY, MULTIPLE, 180 DEGREE, CLOSED ENDS, 5.00mm PITCH	
WEIGHT: -				SIZE: A200779 CASE CODE: C-1776164 DRAWING NO: 1776164	
CUSTOMER DRAWING				RESTRICTED TO: - SCALE: 4:1 SHEET: 1 OF 1 REV: 0	

AMP 1471-3 REV 51MAR2000