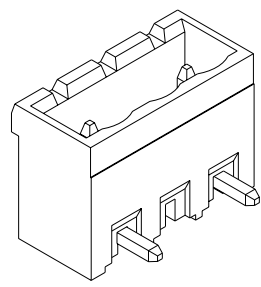
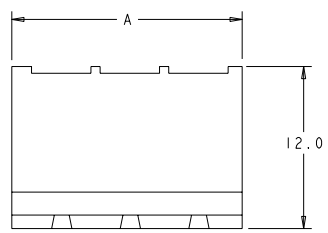


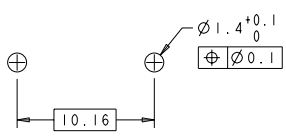
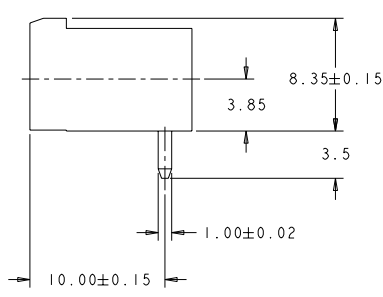
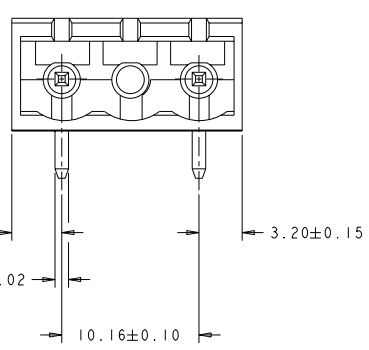
THIS DRAWING IS UNPUBLISHED. RELEASED FOR PUBLICATION  
 © COPYRIGHT 20 BY TYCO ELECTRONICS CORPORATION. ALL RIGHTS RESERVED.

LOC		DIST		REVISIONS			
P	LTN	DESCRIPTION	DATE	BY	CHK	APPD	
0		RELEASED EC 063B-0612-04	12JUL2005	SW	CR		



1776163-2 AS SHOWN

- △ MATERIALS AND FINISH  
 HOUSING: HIGH TEMPERATURE POLYAMIDE, UL 94V-0 RATED,  
 COLOR: BLACK.  
 TERMINAL: PHOSPHOR BRONZE, TIN PLATED.
- 2. SUITABLE FOR 1,6-2,4mm PC BOARD THICKNESS.
- 3. RECOGNIZED UNDER THE COMPONENT PROGRAM OF UNDERWRITERS LABORATORIES INC. FILE N° E60677.
- 4. IMQ CERTIFICATE WITH SURVEILLANCE IN CONFORMITY WITH IEC 998-1/998-2-1.



RECOMMENDED PC BOARD LAYOUT

37.38	4	1776163-4
27.22	3	1776163-3
17.06	2	1776163-2
A	NO OF POSN	PART NUMBER

DIMENSIONS: 0 PLC 1 PLC 2 PLC 3 PLC 4 PLC		TOLERANCES UNLESS OTHERWISE SPECIFIED: 0 PLC 1 PLC 2 PLC 3 PLC 4 PLC		DRN S. WELDON 12JUL2005 CHK C. RICHARD 22JUL2005 APPD C. RICHARD 22JUL2005		Tyco Electronics Harrisburg, PA 17105-3600	
MATERIAL:		FINISH:		PRODUCT SPEC: 108-20166 APPLICATION SPEC: 114-20079		NAME: TERMINAL BLOCK HEADER ASSEMBLY, 90 DEGREE, CLOSED ENDS, 10.16mm PITCH SIZE: A200779 CASE CODE: C=1776163	
CUSTOMER DRAWING				SCALE: 3:1		SHEET 1 OF 1 REV 0	

AMP 1471-9 REV 51MAR2000