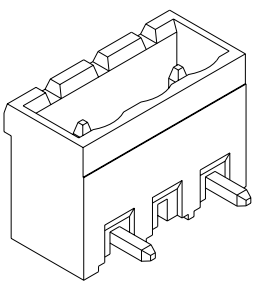
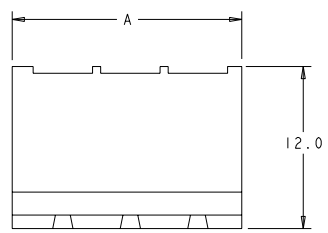


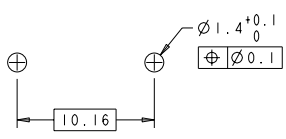
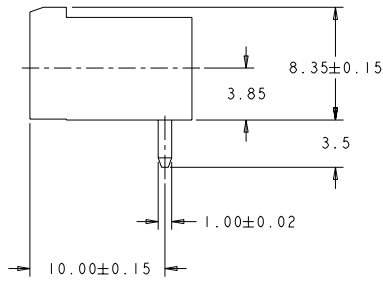
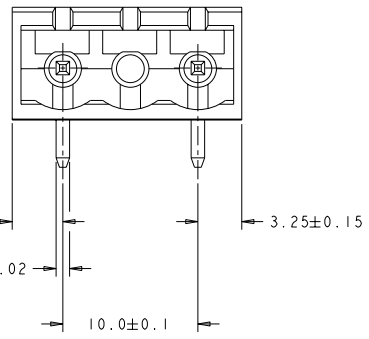
THIS DRAWING IS UNPUBLISHED. RELEASED FOR PUBLICATION  
 © COPYRIGHT 20 BY TYCO ELECTRONICS CORPORATION. ALL RIGHTS RESERVED.

LOC		DIST		REVISIONS			
P	LTB	DESCRIPTION	DATE	BY	CHK	APPD	
0		RELEASED EC 063B-0612-04	12JUL2005	SW	CR		



1776162-2 AS SHOWN

- △ MATERIALS AND FINISH  
 HOUSING: HIGH TEMPERATURE POLYAMIDE, UL 94V-0 RATED,  
 COLOR: BLACK.  
 TERMINAL: PHOSPHOR BRONZE, TIN PLATED.
- 2. SUITABLE FOR 1,6-2,4mm PC BOARD THICKNESS.
- 3. RECOGNIZED UNDER THE COMPONENT PROGRAM OF  
 UNDERWRITERS LABORATORIES INC. FILE N° E60677.
- 4. IMQ CERTIFICATE WITH SURVEILLANCE IN CONFORMITY  
 WITH IEC 998-1/998-2-1.



RECOMMENDED PC BOARD LAYOUT

37.0	4	1776162-4
27.0	3	1776162-3
17.0	2	1776162-2
A	NO OF POSN	PART NUMBER

DIMENSIONS: mm 0 PLC 1 PLC 2 PLC 3 PLC 4 PLC ANGLE FINISH		TOLERANCES UNLESS OTHERWISE SPECIFIED: 0 PLC 1 PLC 2 PLC 3 PLC 4 PLC ANGLE FINISH		DRN S. WELDON 12JUL2005 CHK C. RICHARD 22JUL2005 APD C. RICHARD 22JUL2005 PRODUCT SPEC 108-20166 APPLICATION SPEC 114-20079 WEIGHT CUSTOMER DRAWING		Tyco Electronics Harrisburg, PA 17105-3600 NAME TERMINAL BLOCK HEADER ASSEMBLY, 90 DEGREE, CLOSED ENDS, 10.00mm PITCH SIZE   CASE CODE   DRAWING NO   RESTRICTED TO A200779   C=1776162   - SCALE 3:1   SHEET 1 OF 1   REV 0	
-----------------------------------------------------------------------------------	--	--------------------------------------------------------------------------------------------------------	--	-----------------------------------------------------------------------------------------------------------------------------------------------------------------------	--	------------------------------------------------------------------------------------------------------------------------------------------------------------------------------------------------------------------------------------------------------	--

AMP 1471-9 REV 51MAR2000