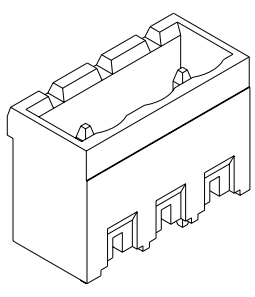
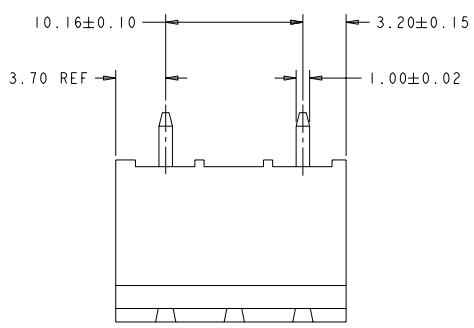


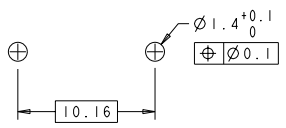
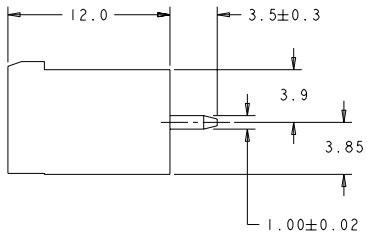
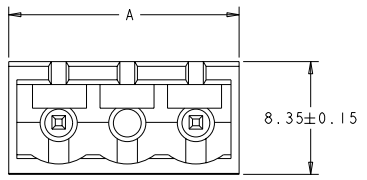
THIS DRAWING IS UNPUBLISHED. RELEASED FOR PUBLICATION BY TYCO ELECTRONICS CORPORATION. ALL RIGHTS RESERVED. COPYRIGHT 20

LOC		DIST		REVISIONS			
P	LTB	DESCRIPTION	DATE	BY	CHK	APPR	
0		RELEASED EC 063B-0612-04	11JUL2005	SW	CR		



1776161-2 AS SHOWN

- △ MATERIALS AND FINISH
 HOUSING: HIGH TEMPERATURE POLYAMIDE, UL 94V-0 RATED,
 COLOR: BLACK.
 TERMINAL: PHOSPHOR BRONZE, TIN PLATED.
- SUITABLE FOR 1.6-2.4mm PC BOARD THICKNESS.
 - RECOGNIZED UNDER THE COMPONENT PROGRAM OF UNDERWRITERS LABORATORIES INC. FILE N° E60677.
 - IMQ CERTIFICATE WITH SURVEILLANCE IN CONFORMITY WITH IEC 998-1/998-2-1.



RECOMMENDED PC BOARD LAYOUT

37.38	4	1776161-4
27.22	3	1776161-3
17.06	2	1776161-2
A	NO OF POSN	PART NUMBER

DIMENSIONS: 0 PLC R: - 1 PLC R: 3 2 PLC R: 25 3 PLC R: - 4 PLC R: - ANGLE: 90 FINISH: -		TOLERANCE UNLESS OTHERWISE SPECIFIED: 0 PLC R: - 1 PLC R: 3 2 PLC R: 25 3 PLC R: - 4 PLC R: - ANGLE: 90 FINISH: -		DWN: S. WELDON 11JUL2005 CHK: C. RICHARD 11JUL2005 APD: C. RICHARD 11JUL2005	BUCHANAN Tyco Electronics Harrisburg, PA 17105-3608
MATERIAL: - FINISH: -		WEIGHT: - CUSTOMER DRAWING		NAME: TERMINAL BLOCK HEADER ASSEMBLY, 180 DEGREE, CLOSED ENDS, 10.16mm PITCH PRODUCT SPEC: 108-20166 APPLICATION SPEC: 114-20079	SIZE: A2 CASE CODE: 00779 DRAWING NO: 1776161 SCALE: 5:1 SHEET: 1 OF 1 REV: 0