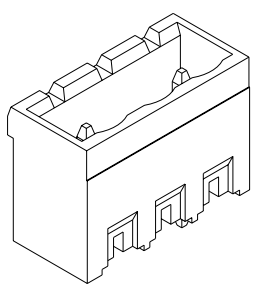
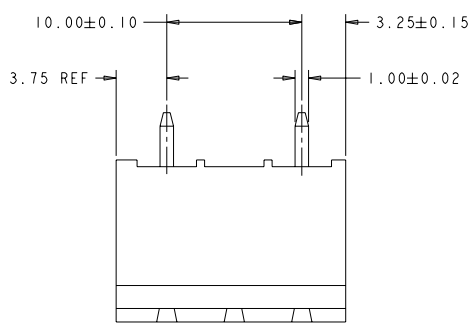


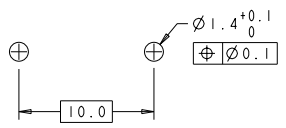
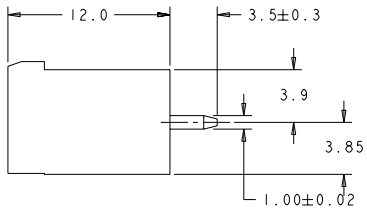
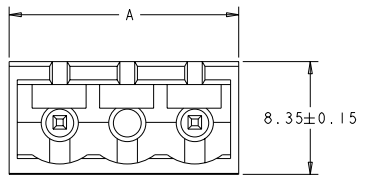
THIS DRAWING IS UNPUBLISHED. RELEASED FOR PUBLICATION
 BY TYCO ELECTRONICS CORPORATION. ALL RIGHTS RESERVED.

REVOLUTIONS		DATE	BY	APPD
P	LTB			
0	RELEASED EC 063B-0612-04	11JUL2005	SW	CR



1776160-2 AS SHOWN

- △ MATERIALS AND FINISH
 HOUSING: HIGH TEMPERATURE POLYAMIDE, UL 94V-0 RATED,
 COLOR: BLACK.
 TERMINAL: PHOSPHOR BRONZE, TIN PLATED.
- SUITABLE FOR 1.6-2.4mm PC BOARD THICKNESS.
 - RECOGNIZED UNDER THE COMPONENT PROGRAM OF UNDERWRITERS LABORATORIES INC. FILE N° E60677.
 - IMQ CERTIFICATE WITH SURVEILLANCE IN CONFORMITY WITH IEC 998-1/998-2-1.



RECOMMENDED PC BOARD LAYOUT

37.0	4	1776160-4
27.0	3	1776160-3
17.0	2	1776160-2
A	NO OF POSN	PART NUMBER

DIMENSIONS: mm 0 PLC 1 PLC 2 PLC 3 PLC 4 PLC 5 PLW		TOLERANCES UNLESS OTHERWISE SPECIFIED: 0 PLC 1 PLC 2 PLC 3 PLC 4 PLC 5 PLW		DWN S. WELDON 11JUL2005 CHK C. RICHARD 11JUL2005 APD C. RICHARD 11JUL2005		BUCHANAN Tyco Electronics Harrisburg, PA 17105-3600	
PRODUCT SPEC 108-20166				NAME TERMINAL BLOCK HEADER ASSEMBLY, 180 DEGREE, CLOSED ENDS, 10.00mm PITCH			
APPLICATION SPEC 114-20079				SIZE CASE CODE DRAWING NO A200779 C-1776160		RESTRICTED TO -	
MATERIAL △				WEIGHT -		CUSTOMER DRAWING SCALE 5:1 SHEET 1 OF 1 REV 0	