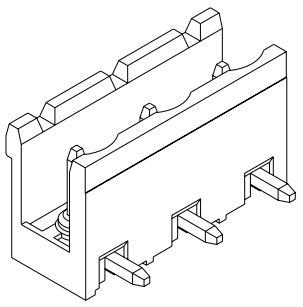
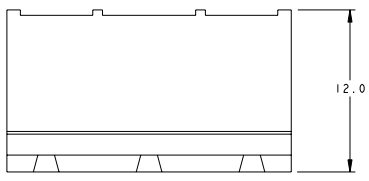


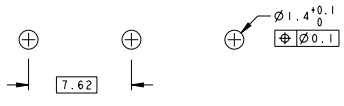
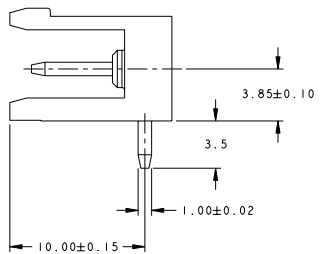
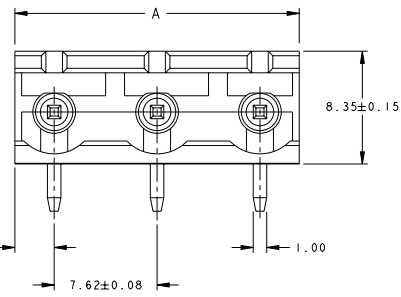
THIS DRAWING IS UNPUBLISHED. RELEASED FOR PUBLICATION
 BY TYCO ELECTRONICS CORPORATION. ALL RIGHTS RESERVED.

LOC		DIST		REVISIONS			
P	LTB	DESCRIPTION	DATE	BY	CHK	APPD	
0		RELEASED EC 063B-0612-04	26 JUL 2005	SW	CR		



1776152-3 AS SHOWN

- △ MATERIALS AND FINISH
 HOUSING: HIGH TEMPERATURE POLYAMIDE, UL 94V-0 RATED,
 COLOR: BLACK
 TERMINAL: PHOSPHOR BRONZE, TIN PLATED.
- SUITABLE FOR 1.6-2.4mm PC BOARD THICKNESS.
 - RECOGNIZED UNDER THE COMPONENT PROGRAM OF UNDERWRITERS LABORATORIES INC., FILE N° E60677.
 - IMO CERTIFICATE WITH SURVEILLANCE IN CONFORMITY WITH IEC 998-17998-2-1.



RECOMMENDED PC BOARD LAYOUT

21.06	3	1776152-3
13.44	2	1776152-2
A	NO OF POSN	PART NUMBER

DIMENSIONS: mm 0 PLC 1 PLC 2 PLC 3 PLC 4 PLC 5 PLW		TOLERANCE UNLESS OTHERWISE SPECIFIED: .3 .3 .35 .3 .3 .3		DRN S. WELDON 26 JUL 2005 CHK C. RICHARD 26 JUL 2005 APD C. RICHARD 26 JUL 2005		BUCHANAN Tyco Electronics Harrisburg, PA 17105-3608	
MATERIAL: △ FINISH: △				NAME: TERMINAL BLOCK HEADER ASSEMBLY, 90 DEGREE, OPEN ENDS, 7.62mm PITCH PRODUCT SPEC: 108-20166 APPLICATION SPEC: 114-20079		SIZE: A2 CASE CODE: 0779 DRAWING NO: 1776152 SCALE: 5:1 SHEET: 1 OF 1 REV: 0	
CUSTOMER DRAWING				RESTRICTED TO			