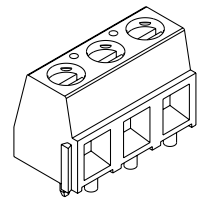
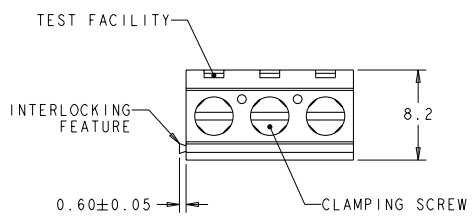
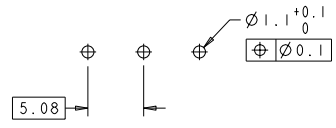
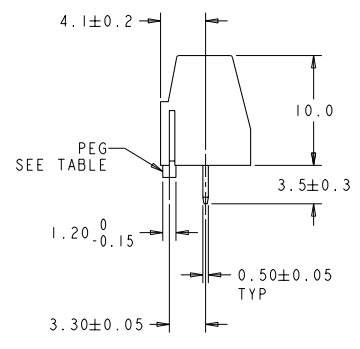
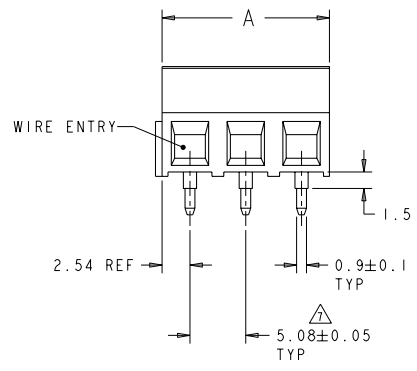


REV	DATE	BY	CHK	APPROV
G3	14MAR2011	AK	HMR	



282837-3 AS SHOWN



RECOMMENDED PC BOARD LAYOUT

SEE DETAIL	NO	DATE	REV	DESCRIPTION
SEE DETAIL B	NO	45.72	9	3-282837-3
SEE DETAIL A	NO	66.04	13	3-282837-2
-	NO	127.00	25	2-282837-5
-	NO	121.92	24	2-282837-4
-	NO	116.84	23	2-282837-3
-	NO	111.76	22	2-282837-2
-	NO	106.68	21	2-282837-1
-	NO	101.60	20	2-282837-0
-	NO	96.52	19	1-282837-9
-	NO	91.44	18	1-282837-8
-	NO	86.36	17	1-282837-7
-	NO	81.28	16	1-282837-6
-	NO	76.20	15	1-282837-5
-	NO	71.12	14	1-282837-4
-	NO	66.04	13	1-282837-3
-	NO	60.96	12	1-282837-2
-	NO	55.88	11	1-282837-1
-	NO	50.80	10	1-282837-0
-	NO	45.72	9	282837-9
-	NO	40.64	8	282837-8
-	NO	35.56	7	282837-7
-	NO	30.48	6	282837-6
-	NO	25.40	5	282837-5
-	NO	20.32	4	282837-4
-	NO	15.24	3	282837-3
-	NO	10.16	2	282837-2
PRELIMINARY	YES	10.16	2	282837-1

MARKING PEG A NO OF POSN PART NUMBER

THIS DRAWING IS A CONTROLLED DOCUMENT. DWG NO. S. WELDON 20MAY2003
 C. RICHARD 20MAY2003
 C. RICHARD 20MAY2003
 APPROVED BY: C. RICHARD 20MAY2003

TE Connectivity

TERMINAL BLOCK, PCB MOUNT
 SIDE ENTRY WIRE, STACKING
 W/INTERLOCK, 5.08mm PITCH

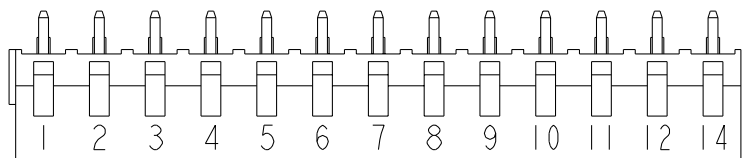
108-20166
 APPLICATION SPEC
 114-20079

SHEET 1 OF 2
 CASE CODE 200779
 DRAWING NO. 282837

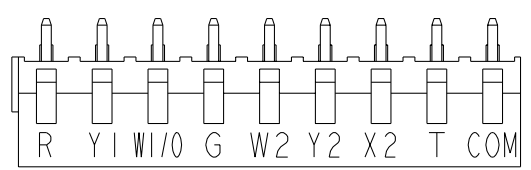
RESTRICTED TO
 CUSTOMER DRAWING

SCALE 4:1 SHEET 1 OF 2 REV G3

LOC	DISP	REVISIONS					
FT	0	P	LYR	DESCRIPTION	DATE	BY	APPR
		-		SEE SHEET 1	-	-	-



DETAIL A



DETAIL B

- △ MATERIALS AND FINISH
 HOUSING: PA 6-6, UL 94-V0, COLOR GREEN.
 CLAMP: BRASS, NICKEL PLATED.
 TERMINAL: BRASS, TIN PLATED.
 CLAMPING SCREW: M3, BRASS, NICKEL PLATED.
- SUITABLE FOR 1,6-2,4mm PC BOARD THICKNESS.
 - END-TO-END STACKABLE W/INTERLOCK WITHOUT LOSS OF CENTERLINE SPACING.
 - WIRE SIZE RANGE: 16-28 AWG.
 - RECOGNIZED UNDER THE COMPONENT PROGRAM OF UNDERWRITERS LABORATORIES INC., FILE N° E60677.
 - IMO CERTIFICATE WITH SURVEILLANCE IN CONFORMITY WITH IEC 998-1/998-2-1.
- △ NOT CUMULATIVE TOLERANCE.
 △ CHARACTERS INK MARKED BLACK.

THIS DRAWING IS A CONTROLLED DOCUMENT.		OWN S. WELDON 20MAY2003	
DIMENSIONS: mm		CD C. RICHARD 20MAY2003	
TOLERANCES UNLESS OTHERWISE SPECIFIED:		APPD C. RICHARD 20MAY2003	NAME TERMINAL BLOCK, PCB MOUNT SIDE ENTRY WIRE, STACKING W/INTERLOCK, 5.08mm PITCH
0 PLC ±0.1	1 PLC ±0.3	PRODUCT SPEC	RESTRICTED TO
2 PLC ±0.25	3 PLC ±0.25	APPLICATION SPEC	
4 PLC ±0.1	ANGLES ±0.2	WEIGHT	
MATERIAL	FINISH	CUSTOMER DRAWING	SCALE 4:1 SHEET 2 OF 2 REV G3