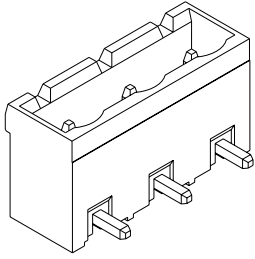
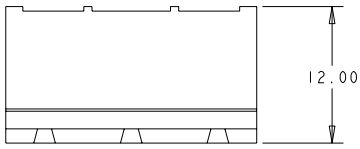


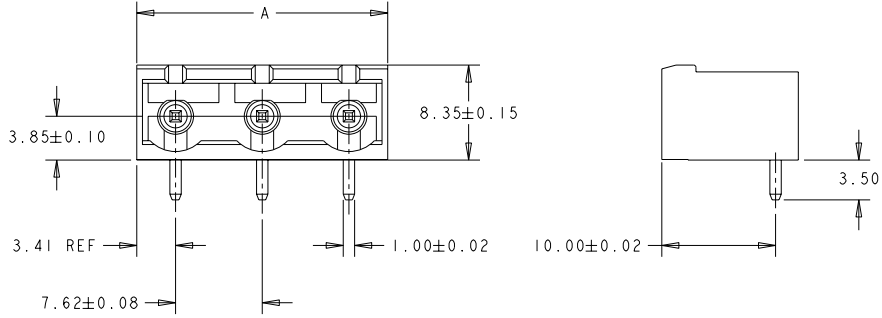
THIS DRAWING IS UNPUBLISHED. RELEASED FOR PUBLICATION
 © COPYRIGHT 20 BY TYCO ELECTRONICS CORPORATION, ALL RIGHTS RESERVED.

LOC	DIST	REVISIONS				
P	LTR	DESCRIPTION	DATE	DWN	APVD	
	0	RELEASED EC 0G3B-0612-04	11JUL2005	SW	CR	

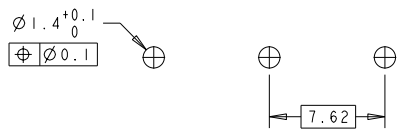


1776155-3 AS SHOWN

- 1 MATERIALS AND FINISH
 HOUSING: HIGH TEMPERATURE POLYAMIDE, UL 94V-0 RATED,
 COLOR: BLACK.
 TERMINAL: PHOSPHOR BRONZE, TIN PLATED.
- 2 SUITABLE FOR 1.6-2.4mm PC BOARD THICKNESS.
- 3 RECOGNIZED UNDER THE COMPONENT PROGRAM OF
 UNDERWRITERS LABORATORIES INC., FILE N° E60677.
- 4 IMO CERTIFICATE WITH SURVEILLANCE IN CONFORMITY
 WITH IEC 998-1/998-2-1.



90.64	12	1-1776155-2
83.02	11	1-1776155-1
75.40	10	1-1776155-0
67.78	9	1776155-9
60.16	8	1776155-8
52.54	7	1776155-7
44.92	6	1776155-6
37.30	5	1776155-5
29.68	4	1776155-4
22.06	3	1776155-3
14.44	2	1776155-2
A	NO OF POSN	PART NUMBER



RECOMMENDED PC BOARD LAYOUT

THIS DRAWING IS A CONTROLLED DOCUMENT FOR TYCO ELECTRONICS CORPORATION
 IT IS SUBJECT TO CHANGE AND THE CONTROLLING AUTHORITY ORGANIZATION
 SHOULD BE CONTACTED FOR THE LATEST REVISION.

DIMENSIONS:	TOLERANCES UNLESS OTHERWISE SPECIFIED:	DWN	11 JUL 2005
mm	0 PLC ±	S. WELDON	
	1 PLC ±0.2	CHK	11 JUL 2005
	2 PLC ±0.25	C. RICHARD	
	3 PLC ±	APVD	11 JUL 2005
	4 PLC ±	C. RICHARD	
	ANGLES ±2	PRODUCT SPEC	
MATERIAL	FINISH	APPLICATION SPEC	108-20166
		114-20079	
		WEIGHT	-
		CUSTOMER DRAWING	

BUCHANAN Tyco Electronics
 Harrisburg, PA 17105-3608

NAME: TERMINAL BLOCK HEADER ASSEMBLY,
 90 DEGREE, CLOSED ENDS,
 7.62mm PITCH

SIZE	CAGE CODE	DRAWING NO	RESTRICTED TO
A3	00779	C=1776155	-

SCALE: 3:1 SHEET 1 OF 1 REV 0