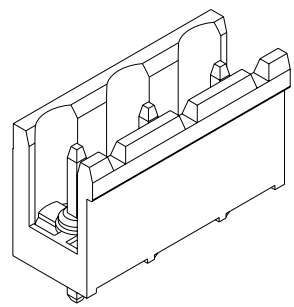
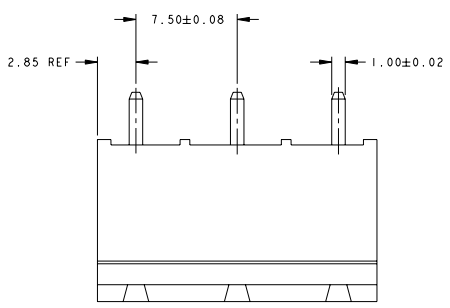


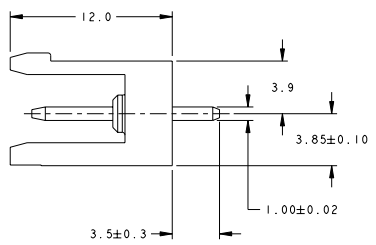
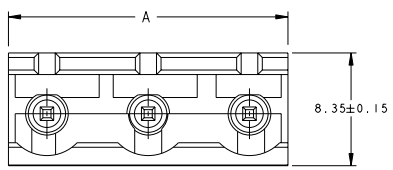
THIS DRAWING IS UNPUBLISHED. RELEASED FOR PUBLICATION
 BY TYCO ELECTRONICS CORPORATION. ALL RIGHTS RESERVED.

LOC		DIST		REVISIONS			
P	LT#	DESCRIPTION	DATE	BY	APPD	SW	CR
0		RELEASED EC 063B-0612-04	26 JUL 2005	SW	CR		

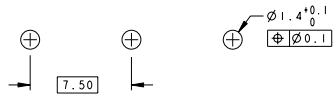


1776149-3 AS SHOWN

- △ MATERIALS AND FINISH
 HOUSING: HIGH TEMPERATURE POLYAMIDE, UL 94V-0 RATED,
 COLOR: BLACK
 TERMINAL: PHOSPHOR BRONZE, TIN PLATED.
- SUITABLE FOR 1,6-2,4mm PC BOARD THICKNESS.
 - RECOGNIZED UNDER THE COMPONENT PROGRAM OF UNDERWRITERS LABORATORIES INC., FILE N° E60677.
 - IMO CERTIFICATE WITH SURVEILLANCE IN CONFORMITY WITH IEC 998-1/998-2-1.



88.20	12	I-1776149-2
80.70	11	I-1776149-1
73.20	10	I-1776149-0
65.70	9	I776149-9
58.20	8	I776149-8
50.70	7	I776149-7
43.20	6	I776149-6
35.70	5	I776149-5
28.20	4	I776149-4
21.70	3	I776149-3
13.20	2	I776149-2
A	NO OF POSN	PART NUMBER



RECOMMENDED PC BOARD LAYOUT

DIMENSIONS: 0 PLC R: - 1 PLC R: 3 2 PLC R: 25 3 PLC R: - 4 PLC R: - 5 R: - 6 R: - 7 R: - 8 R: - 9 R: - 10 R: - 11 R: - 12 R: -		DRN S. WELDON 26 JUL 2005 CHK C. RICHARD 26 JUL 2005 APPR C. RICHARD 26 JUL 2005 PRODUCT SPEC 108-20166 APPLICATION SPEC 114-20079 WEIGHT - CUSTOMER DRAWING	BUCHANAN Tyco Electronics Harrisburg, PA 17105-3600 NAME TERMINAL BLOCK HEADER ASSEMBLY, 180 DEGREE, OPEN ENDS, 7.50mm PITCH SIZE A2 CASE CODE 0779 DRAWING NO. 1776149 SCALE 5:1 SHEET 1 OF 1 REV 0
---	--	--	---