

4

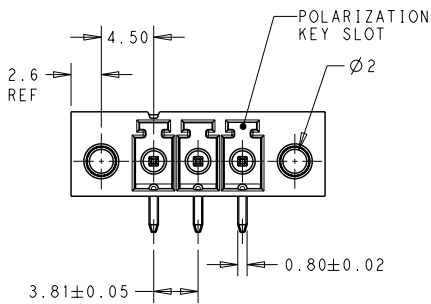
3

2

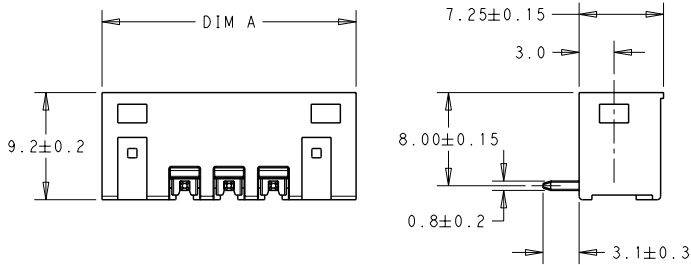
1

THIS DRAWING IS UNPUBLISHED. RELEASED FOR PUBLICATION 20  
 BY TYCO ELECTRONICS CORPORATION. ALL INTERNATIONAL RIGHTS RESERVED.

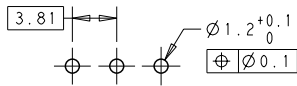
| LOC |     | DIST                      |           | REVISIONS |      |  |  |  |
|-----|-----|---------------------------|-----------|-----------|------|--|--|--|
| P   | LTR | DESCRIPTION               | DATE      | DWN       | APVD |  |  |  |
| 01  |     | REVISED PER ECO-09-027788 | 07JAN2010 | SS        | CR   |  |  |  |
|     |     |                           |           |           |      |  |  |  |
|     |     |                           |           |           |      |  |  |  |



- ⚠ MATERIALS AND FINISH:  
 HOUSING: HIGH TEMPERATURE POLYAMIDE, UL94V-0,  
 COLOR: BLACK.  
 TERMINAL: PHOSPHOR BRONZE, TIN PLATED.
- CONNECTED ASSEMBLY INCLUDES 2 SQUARE NUTS LOADED IN CAVITY.
  - SUITABLE FOR 1.6-2.4mm PC BOARD THICKNESS.
  - UL RATING: 300V, 11A.



|       |            |             |
|-------|------------|-------------|
| 56.11 | 12         | 1-1776137-2 |
| 52.30 | 11         | 1-1776137-1 |
| 48.49 | 10         | 1-1776137-0 |
| 44.68 | 9          | 1776137-9   |
| 40.87 | 8          | 1776137-8   |
| 37.06 | 7          | 1776137-7   |
| 33.25 | 6          | 1776137-6   |
| 29.44 | 5          | 1776137-5   |
| 25.63 | 4          | 1776137-4   |
| 21.82 | 3          | 1776137-3   |
| 18.01 | 2          | 1776137-2   |
| DIM A | NO OF POS. | PART NUMBER |



RECOMMENDED PC BOARD LAYOUT

| DIMENSIONS:      |  | TOLERANCES UNLESS OTHERWISE SPECIFIED: |       | APPROVED  |            | NAME  |  | RESTRICTED TO    |  |
|------------------|--|--|-------|-----------|------------|---|--|------------------|--|
| mm               |  | 0 PLC                                  | ±     | 07JAN2010 | S. SCHLEGE | Tyco Electronics  |  | Tyco Electronics |  |
|                  |  | 1 PLC                                  | ±0.3  | 07JAN2010 | C. RICHARD | Harrisburg, PA 17105-3608   |  |                  |  |
|                  |  | 2 PLC                                  | ±0.25 | 07JAN2010 | C. RICHARD | TERMINAL BLOCK HEADER ASSEMBLY,<br>90 DEGREES, W/ THREADED FLG,<br>3.81mm PITCH |  |                  |  |
|                  |  | 3 PLC                                  | ±     |           |            | PRODUCT SPEC  |  |                  |  |
|                  |  | 4 PLC                                  | ±     |           |            | APPLICATION SPEC  |  |                  |  |
|                  |  | ANGLES                                 | ±     |           |            | SIZE  |  |                  |  |
| MATERIAL         |  | FINISH                                 | ±     |           |            | CAGE CODE   |  |                  |  |
|                  |  |  |       |           |            | DRAWING NO  |  |                  |  |
|                  |  |  |       |           |            | WEIGHT  |  |                  |  |
|                  |  |  |       |           |            | A300779   |  | C-1776137        |  |
| CUSTOMER DRAWING |  |  |       |           |            | SCALE   |  | SHEET            |  |
|                  |  |  |       |           |            | 3:1   |  | 1 OF 1           |  |
|                  |  |  |       |           |            |   |  | REV 01           |  |