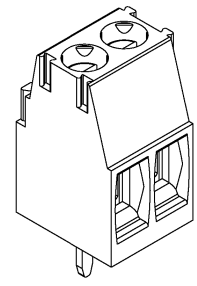
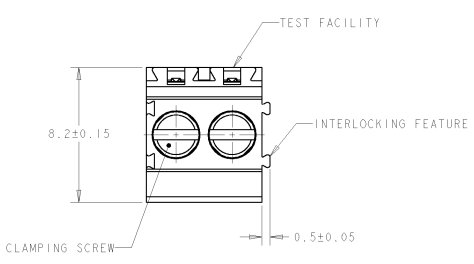
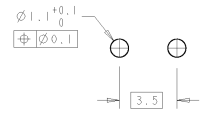
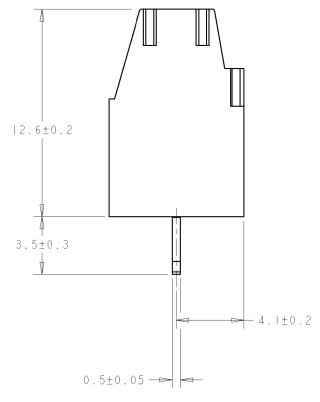
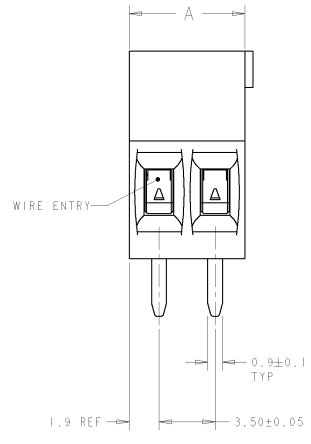


REV. NO.	DATE	DESCRIPTION	BY	CHKD.
0		RELEASED		



- △ MATERIALS AND FINISH
 HOUSING : PA 6.6, UL 94-V0, COLOR: BLUE.
 CLAMP : BRASS, NICKEL PLATED
 TERMINAL : BRASS, TIN PLATED
 CLAMPING SCREW : M3, BRASS, NICKEL PLATED
- SUITABLE FOR 1.6-2.4 mm. PCB BOARD THICKNESS.
 - END-TO-END STACKABLE W/INTERLOCK WITHOUT LOSS OF CENTERLINE SPACING
 - WIRE SIZE RANGE: 14 - 30 AWG

1546227-2 AS SHOWN



RECOMMENDED PC BOARD LAYOUT

REV. NO.	DATE	DESCRIPTION	BY	CHKD.
87.5	25			
84.0	24			
80.5	23			
77.0	22			
73.5	21			
70.0	20			
66.5	19			
63.0	18			
59.5	17			
56.0	16			
52.5	15			
49.0	14			
45.5	13			
42.0	12			
38.5	11			
35.0	10			
31.5	9			
28.0	8			
24.5	7			
21.0	6			
17.5	5			
14.0	4			
10.5	3			
7.0	2			
A	NO OF POSN	PART NUMBER		

DESIGNED BY: S. WELDON	DATE: 11MAR2004	BUCHANAN Tico Electronics Harrisburg, PA 17105-3600
CHKD BY: C. RICHARD	DATE: 11MAR2004	
DRAWN BY: C. RICHARD	DATE: 11MAR2004	TERMINAL BLOCK ASSEMBLY, PCB MOUNT, SIDE WIRE ENTRY, STACKING W/ INTERLOCK, 3.5mm PITCH
PRODUCT SPEC: 108-20166	APPLICATION SPEC: 114-20079	
MATERIAL: ZINIBR	WEIGHT: -	SIZE: A2 CASE CODE: 1546227 SCALE: 6:1 SHEET: 1 OF 1 REV: A