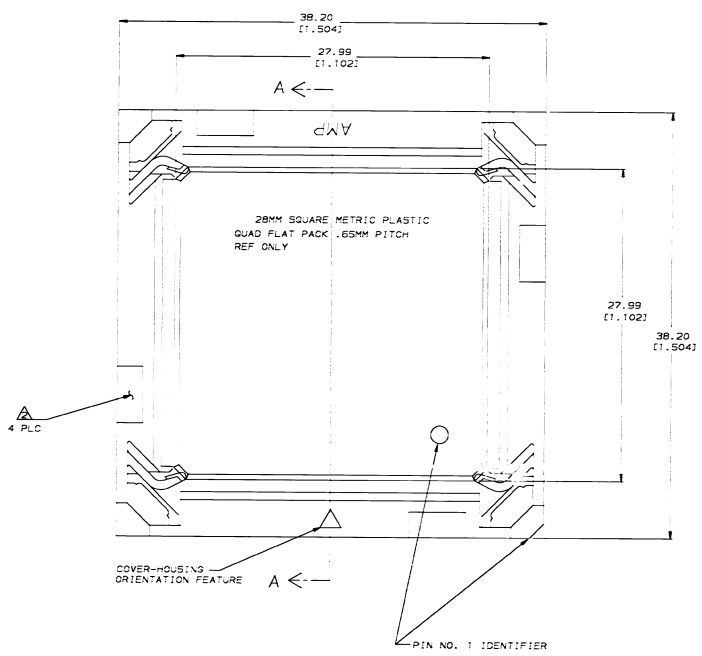
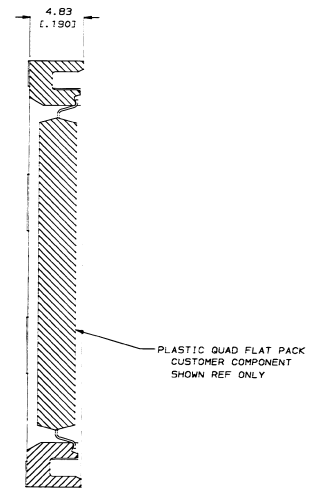


DRAWING MADE IN THIRD ANGLE PROJECTION
 THIS DRAWING IS UNPUBLISHED. RELEASED FOR PUBLICATION
 © AMP INCORPORATED. ALL INFORMATION RIGHTS RESERVED.

REV	DATE	DESCRIPTION	APPD
AG 53		B REVISED PER AG-3456	11-12-83 RT



△ MATERIAL SHALL BE LIQUID CRYSTAL POLYMER.
 △ PAD AREA TO HAVE NO MATTE FINISH AND IS THERE ONLY TO INDICATE THE LOCATION OF EXTRACTION TOOL SLOTS.



SECTION A-A

160 POSITION	822115-4
144 POSITION	822115-3

DO NOT SCALE PRINT. UNLESS SPECIFIED		DR B-S-91	AMP Incorporated	
DIMENSIONS IN MM (INCHES)		C UNIT	Morgantown, PA 15105-3608	
TOLERANCES: DR 1		CHK B-S-91	NAME	
2 P.L.C. DEC ±.100 (0.004)		B-TITLER		
ANGLES 0		APPD B-S-91	COVER, METRIC 28mm SQUARE, .65mm PITCH	
		E-BALSTON		
MATERIAL		PRODUCT SPEC	PART NO	
△ -			822115	
FINISH		APPLICATION SPEC	SIZE	CASE CODE
-			00779	822115
WEIGHT		SCALE	6:1	SHEET 1 OF 1

CUSTOMER DRAWING