

4

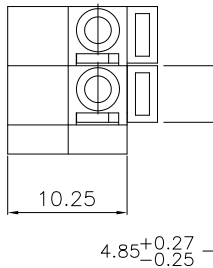
3

2

1

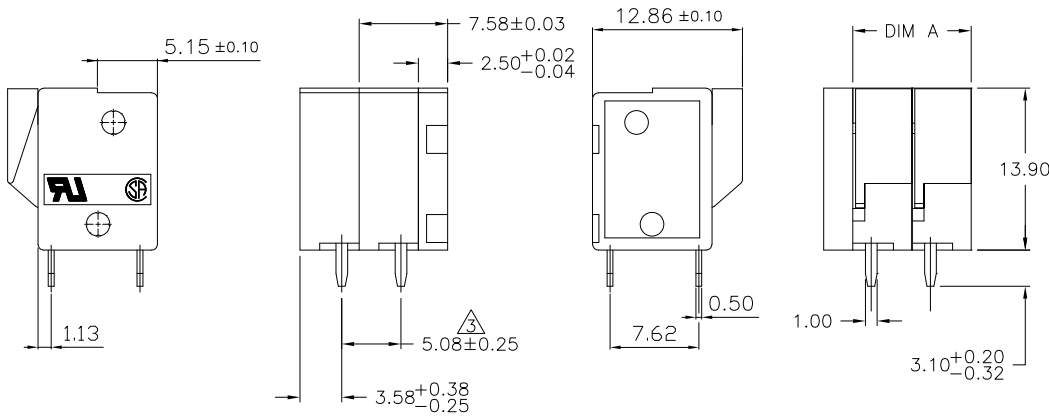
THIS DRAWING IS UNPUBLISHED. RELEASED FOR PUBLICATION  
 © COPYRIGHT - By - ALL RIGHTS RESERVED.

LOC		DIST		REVISIONS			
P	LTR	DESCRIPTION	DATE	DWN	APVD		
FT	0						
P		REVISED PER ECO-11-004820	11MAR11	RK	HMR		



1. ALL DIMENSIONS ARE IN mm'S.
2. BUCHANAN LOGO TO APPEAR ON HOUSING, LOCATION OPTIONAL WHERE SPACE PERMITS.

NON CUMULATIVE



1776260-2 AS SHOWN

60.96	12	1-1776260-2
55.88	11	1-1776260-1
50.80	10	1-1776260-0
45.72	9	1776260-9
40.64	8	1776260-8
35.56	7	1776260-7
30.48	6	1776260-6
25.40	5	1776260-5
20.32	4	1776260-4
15.24	3	1776260-3
10.16	2	1776260-2
DIM. A	NO. OF POS.	PART NUMBER

THIS DRAWING IS A CONTROLLED DOCUMENT.		DWN	S SCHLEGEL	5/6/05	TE Connectivity <b>TERMINAL BLOCK, BOARD MT. SCREWLESS          TOP WIRE ENTRY, HIGH TEMP</b>
DIMENSIONS: mm		CHK	C RICHARD	5/6/05	
TOLERANCES UNLESS OTHERWISE SPECIFIED:		APVD	C RICHARD	5/6/05	
0 PLC ± - 1 PLC ± 0.3 2 PLC ± 0.25 3 PLC ± - 4 PLC ± - ANGLES ± -		PRODUCT SPEC			
MATERIAL	FINISH	APPLICATION SPEC			RESTRICTED TO
-	-	WEIGHT	-		SIZE
		CUSTOMER DRAWING	A3	00779	C=1776260
		SCALE	NTS	SHEET	1 of 2
		REV	P		

4

3

2

1

THIS DRAWING IS UNPUBLISHED. RELEASED FOR PUBLICATION  
 © COPYRIGHT - By - ALL RIGHTS RESERVED.

LOC	DIST	REVISIONS				
P	LTR	DESCRIPTION	DATE	DWN	APVD	
FT	0					
		SEE SHEET 1				

### 1. Application and Features:

- 1-1. This screwless terminals are suitable for both solid and flexible conductors.
- 1-2. A spring made of stainless strip steel guarantees for permanent and safe contact.
- 1-3. The type is operated by pushing a screwdriver on the level. This lever is fully integrated into the body.
- 1-4. It is equipped with a cover for easy hand adjustment.

### 2. Technical Data:

#### 2-1. Material:


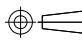
- 2-1-1. HOUSING: NYLON 6.6, UL94V-0, GREEN,
- 2-1-2. Contact: Brass(Cu Zn)  
Ni,Tin plated.  
first 50u" (min) Ni plated over all.  
last 120u" (min) Tin plated over all.
- 2-1-3. Metal Plate: Stainless strip steel.

### 2-2. Electrical:

- 2-2-1. Current rating: 10 Amp 300VAC.
- 2-2-2. Dielectric withstanding voltage: 2000VAC (min).
- 2-2-3. Insulation resistance: 500M $\Omega$  more at 500VAC.
- 2-2-4. Wire Range: 14-22AWG.

### 2-3. Mechanical:

- 2-3-1. Wire retention force: 1.2 Kg (min).
- 2-3-2. Operating temperature: -55°C to +105°C.
- 2-3-3. Solderability: 95% coverage (min).

THIS DRAWING IS A CONTROLLED DOCUMENT.		DWN	S SCHLEGEL	5/6/05	 <b>TE Connectivity</b>
DIMENSIONS:		CHK	C RICHARD	5/6/05	
mm		APVD	C RICHARD	5/6/05	
		TOLERANCES UNLESS OTHERWISE SPECIFIED:		NAME	TERMINAL BLOCK, BOARD MT. SCREWLESS TOP WIRE ENTRY, HIGH TEMP
		0 PLC ± -		PRODUCT SPEC	
		1 PLC ± 0.3		APPLICATION SPEC	
		2 PLC ± 0.25		SIZE	A3
		3 PLC ± -		CAGE CODE	00779
		4 PLC ± -		DRAWING NO	C=1776260
		ANGLES ± -		RESTRICTED TO	
MATERIAL	FINISH	WEIGHT			
-	-	-			
CUSTOMER DRAWING				SCALE	NTS
				SHEET	2 of 2
				REV	P