

4

3

2

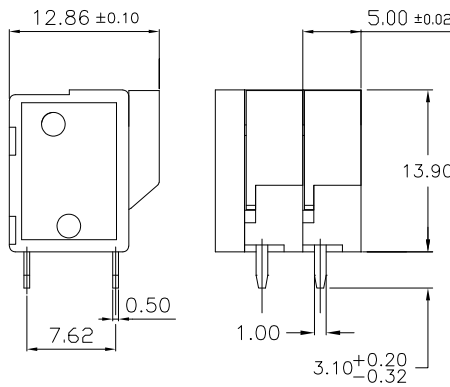
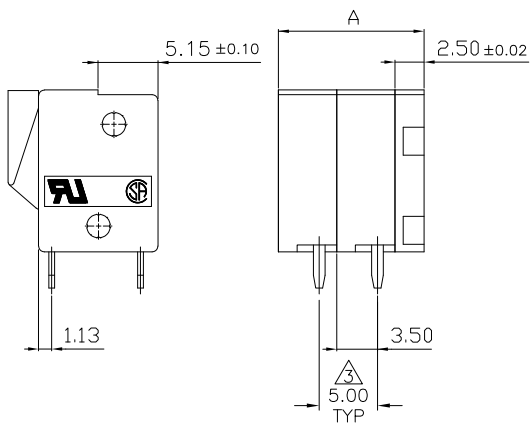
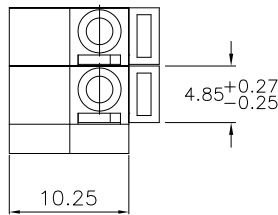
1

THIS DRAWING IS UNPUBLISHED. RELEASED FOR PUBLICATION
 © COPYRIGHT - By - ALL RIGHTS RESERVED.

| LOC | DIST | REVISIONS | | | | |
|-----|------|---------------------------|---------|-----|------|--|
| P | LTR | DESCRIPTION | DATE | DWN | APVD | |
| FT | 0 | REVISED PER ECO-11-004820 | 11MAR11 | RK | HMR | |

1. ALL DIMENSIONS ARE IN mm'S.
2. BUCHANAN LOGO TO APPEAR ON HOUSING, LOCATION OPTIONAL WHERE SPACE PERMITS.

Δ NON CUMULATIVE



| | | |
|--------|-------------|-------------|
| 62.50 | 12 | 1-1776259-2 |
| 57.50 | 11 | 1-1776259-1 |
| 52.20 | 10 | 1-1776259-0 |
| 47.50 | 9 | 1776259-9 |
| 42.50 | 8 | 1776259-8 |
| 37.50 | 7 | 1776259-7 |
| 32.50 | 6 | 1776259-6 |
| 27.50 | 5 | 1776259-5 |
| 22.50 | 4 | 1776259-4 |
| 17.50 | 3 | 1776259-3 |
| 12.50 | 2 | 1776259-2 |
| DIM. A | NO. OF POS. | PART NUMBER |

1776259-2 AS SHOWN

THIS DRAWING IS A CONTROLLED DOCUMENT.

| | | |
|------------------|---|---------------|
| DWN | S SCHLEGEL | 5/6/05 |
| CHK | C RICHARD | 5/6/05 |
| APVD | C RICHARD | 5/6/05 |
| NAME | TE Connectivity | |
| PRODUCT SPEC | TERMINAL BLOCK, BOARD MT. SCREWLESS, TOP WIRE ENTRY, 5.0mm PITCH, HIGH TEMP | |
| APPLICATION SPEC | - | |
| WEIGHT | SIZE | CAGE CODE |
| - | A3 | 00779 |
| DRAWING NO | DRAWING NO | RESTRICTED TO |
| C-1776259 | - | - |
| CUSTOMER DRAWING | SCALE | SHEET |
| - | NTS | 1 OF 2 |
| REV | P | |

4

3

2

1

THIS DRAWING IS UNPUBLISHED. RELEASED FOR PUBLICATION
 © COPYRIGHT - By - ALL RIGHTS RESERVED.

| LOC | DIST | REVISIONS | | | | |
|-----|------|-------------|------|-----|------|--|
| P | LTR | DESCRIPTION | DATE | DWN | APVD | |
| - | - | SEE SHEET 1 | - | - | - | |

1. Application and Features:

- 1-1. This screwless terminals are suitable for both solid and flexible conductors.
- 1-2. A spring made of stainless strip steel guarantees for permanent and safe contact.
- 1-3. The type is operated by pushing a screwdriver on the level. This lever is fully integrated into the body.
- 1-4. It is equipped with a cover for easy hand adjustment.

2-2. Electrical:

- 2-2-1. Current rating: 10 Amp 300VAC.
- 2-2-2. Dielectric withstanding voltage: 2000VAC (min).
- 2-2-3. Insulation resistance: 500M Ω more at 500VAC.
- 2-2-4. Wire Range: 14-22AWG.


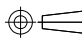
2. Technical Data:

2-1. Material:

- 2-1-1. HOUSING: NYLON 6,6,
UL 94 V-0 (Green).
- 2-1-2. Contact: Brass(Cu Zn)
Ni,Tin plated.
first 50u" (min) Ni plated over all.
last 120u" (min) Tin plated over all.
- 2-1-3. Metal Plate: Stainless strip steel.

2-3. Mechanical:

- 2-3-1. Wire retention force: 1.2 Kg (min).
- 2-3-2. Operating temperature: -55°C to +105°C.
- 2-3-3. Solderability: 95% coverage (min).

| | | | | | |
|--|--|-------------------------|--------|---|--------------------|
| THIS DRAWING IS A CONTROLLED DOCUMENT. | | DWN S SCHLEGEL | 5/6/05 |  TE Connectivity | |
| DIMENSIONS: mm | | CHK C RICHARD | 5/6/05 | | |
|  | | APVD C RICHARD | 5/6/05 | NAME TERMINAL BLOCK, BOARD MT. SCREWLESS, TOP WIRE ENTRY, 5.0mm PITCH, HIGH TEMP | |
| TOLERANCES UNLESS OTHERWISE SPECIFIED: 0 PLC ± - 1 PLC ± 0.3 2 PLC ± 0.25 3 PLC ± - 4 PLC ± - ANGLES ± - | | PRODUCT SPEC - | | RESTRICTED TO - | |
| MATERIAL - | | FINISH - | | SIZE A3 | CAGE CODE 00779 |
| | | DRAWING NO C-1776259 | | SCALE NTS | |
| | | WEIGHT - | | SHEET 2 of 2 | |
| | | CUSTOMER DRAWING | | REV P | |