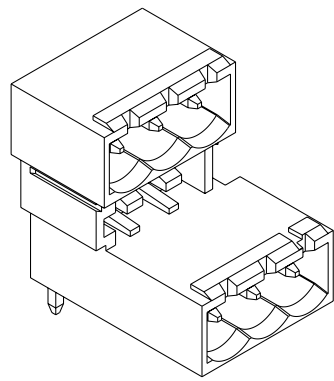
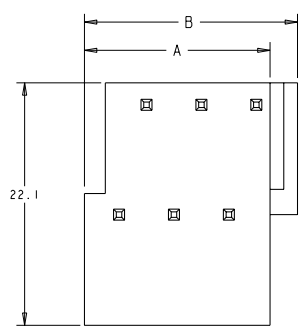


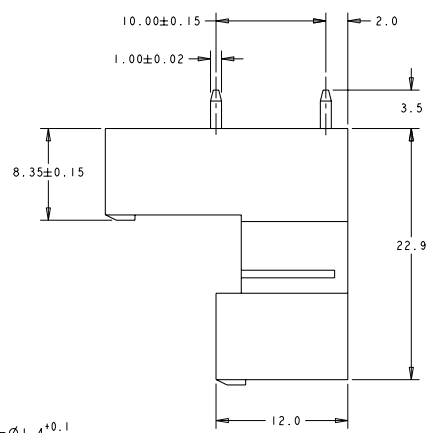
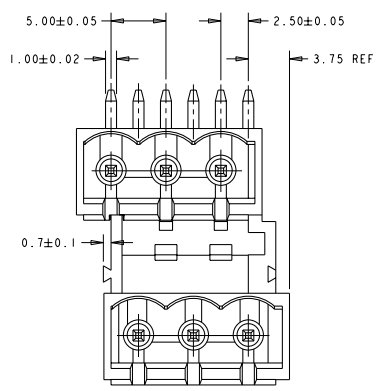
THIS DRAWING IS UNPUBLISHED. RELEASED FOR PUBLICATION. ALL RIGHTS RESERVED.

REVOLUTIONS		DATE	BY	APPD
P	LYA			
P		16MAR2011	AK	HMR

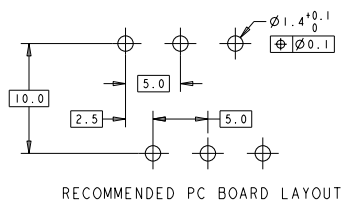


1776166-3 AS SHOWN

- △ MATERIALS AND FINISH
 HOUSING: HIGH TEMPERATURE POLYAMIDE, UL 94V-0 RATED, COLOR: BLACK.
 TERMINAL: PHOSPHOR BRONZE, TIN PLATED.
2. SUITABLE FOR 1.6-2.4mm PC BOARD THICKNESS.
3. P/N FROM 1776166-4 TO 1776166-8 ARE OBTAINED BY ASSEMBLING 1776166-2 AND 1776166-3 TO ACHIEVE THE DESIRED NUMBER OF POSITIONS.



44.5	42.0	8	1776166-8
39.5	37.0	7	1776166-7
34.5	32.0	6	1776166-6
29.5	27.0	5	1776166-5
24.5	22.0	4	1776166-4
19.5	17.0	3	1776166-3
14.5	12.0	2	1776166-2
B	A	NO OF POSN	PART NUMBER



THIS DRAWING IS A CONTROLLED DOCUMENT. DWG: S. WELDON 19JUL2005
 CD: C. RICHARD 19JUL2005
 APPD: C. RICHARD 19JUL2005

TE Connectivity

NAME: TERMINAL BLOCK HEADER ASSEMBLY, MULTIPLE, 90 DEGREE, CLOSED ENDS, 5.00mm PITCH

SIZE: A2 CASE CODE: 00779 DRAWING NO: 1776166

RESTRICTED TO: -

CUSTOMER DRAWING SCALE: 4:1 SHEET 1 OF 1 REV P