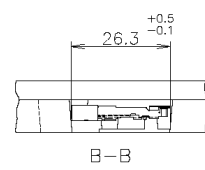
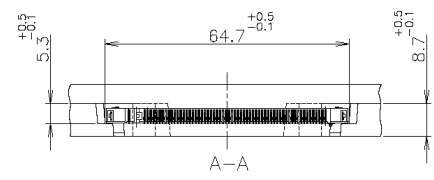
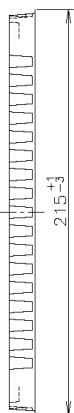
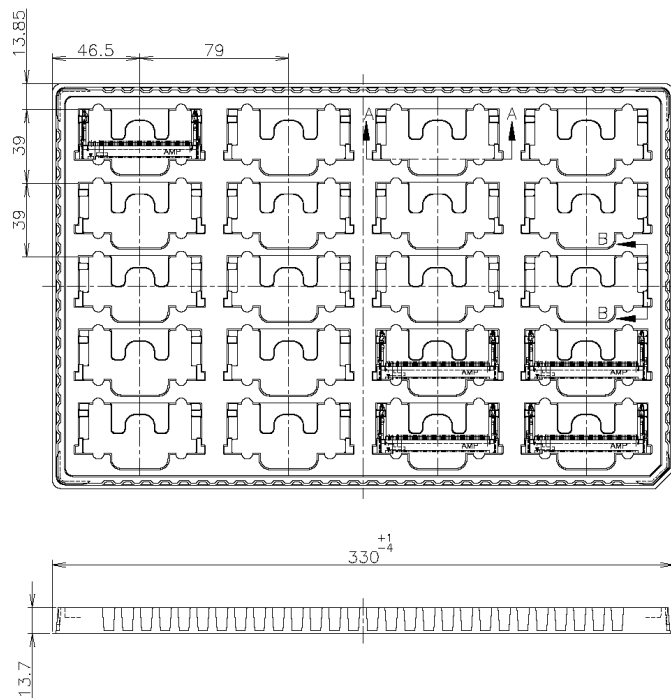


THIS DRAWING IS UNPUBLISHED. RELEASED FOR PUBLICATION
 © COPYRIGHT BY TYCO ELECTRONICS CORPORATION. ALL RIGHTS RESERVED.

REVISIONS					
P	LTR	DESCRIPTION	DATE	DRN	APVD
0		RELEASED	FJB0-1113-04	24AUG2004	J.Z I.E



1. THE DIRECTION OF EACH CONNECTOR ON A TRAY IS REFERRED TO THIS DWG.
2. GENERAL TOLERANCES ±0.5

LEAD FREE

INSTRUCTION SHEET 411-5882		20EA/TRAY	6-912074-1	1674506-1																																								
		QTY	TRAY P/N	P/N																																								
THIS DRAWING IS A CONTROLLED DOCUMENT.		<table border="1"> <tr> <td>DRN</td> <td>24AUG2004</td> <td rowspan="2">tyco Electronics</td> <td rowspan="2">Tyco Electronics AMP K.K. Kawasaki, Japan</td> </tr> <tr> <td>CHK</td> <td>24AUG2004</td> </tr> <tr> <td>APVD</td> <td>24AUG2004</td> <td colspan="2">NAME</td> </tr> <tr> <td colspan="2">Ikuya Yamoto</td> <td colspan="2">SEMI-HARD TRAY ASSY</td> </tr> <tr> <td colspan="2">PRODUCT SPEC</td> <td colspan="2">0.8mm PITCH FAX MODEM SOCKET 124POSITIONS</td> </tr> <tr> <td colspan="2">APPLICATION SPEC</td> <td colspan="2">WITHOUT BOSS</td> </tr> <tr> <td>SIZE</td> <td>CAGE CODE</td> <td>DRAWING NO</td> <td>RESTRICTED TO</td> </tr> <tr> <td>A3</td> <td>00779</td> <td>C=6674506</td> <td></td> </tr> <tr> <td colspan="2">CUSTOMER DRAWING</td> <td>SCALE</td> <td>SHEET</td> <td>REV</td> </tr> <tr> <td colspan="2"></td> <td>NTS</td> <td>1 OF 5</td> <td>0</td> </tr> </table>			DRN	24AUG2004	tyco Electronics	Tyco Electronics AMP K.K. Kawasaki, Japan	CHK	24AUG2004	APVD	24AUG2004	NAME		Ikuya Yamoto		SEMI-HARD TRAY ASSY		PRODUCT SPEC		0.8mm PITCH FAX MODEM SOCKET 124POSITIONS		APPLICATION SPEC		WITHOUT BOSS		SIZE	CAGE CODE	DRAWING NO	RESTRICTED TO	A3	00779	C=6674506		CUSTOMER DRAWING		SCALE	SHEET	REV			NTS	1 OF 5	0
DRN	24AUG2004	tyco Electronics	Tyco Electronics AMP K.K. Kawasaki, Japan																																									
CHK	24AUG2004																																											
APVD	24AUG2004	NAME																																										
Ikuya Yamoto		SEMI-HARD TRAY ASSY																																										
PRODUCT SPEC		0.8mm PITCH FAX MODEM SOCKET 124POSITIONS																																										
APPLICATION SPEC		WITHOUT BOSS																																										
SIZE	CAGE CODE	DRAWING NO	RESTRICTED TO																																									
A3	00779	C=6674506																																										
CUSTOMER DRAWING		SCALE	SHEET	REV																																								
		NTS	1 OF 5	0																																								
DIMENSIONS:	TOLERANCES UNLESS OTHERWISE SPECIFIED:																																											
MM	0 PLC ±																																											
	1 PLC ±																																											
	2 PLC ±																																											
	3 PLC ±																																											
	4 PLC ±																																											
	ANGLES ±																																											
MATERIAL	FINISH																																											

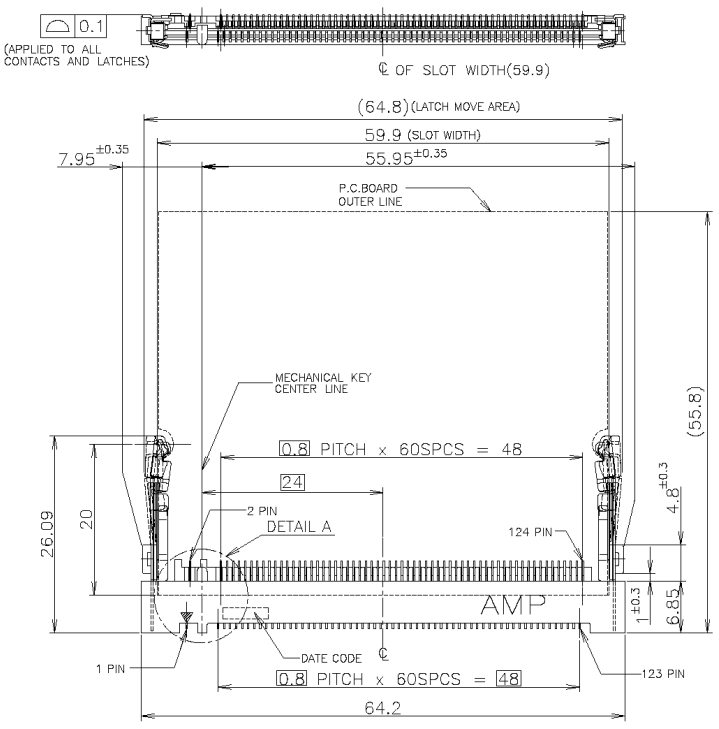
AMP 1470-19 REV 31MAR2000

FB001310

D:\WorkFile\Download_File\B057709\1674506\C-6674506_0.dwg

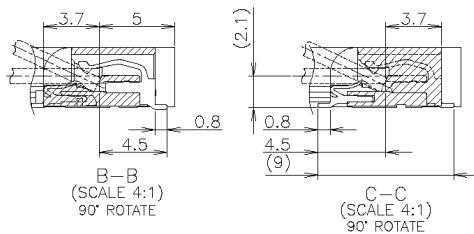
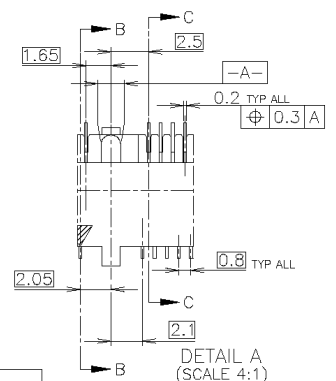
THIS DRAWING IS UNPUBLISHED. RELEASED FOR PUBLICATION
 COPYRIGHT BY TYCO ELECTRONICS CORPORATION. ALL RIGHTS RESERVED.

LOC		DIST		REVISIONS			
P	LTR	DESCRIPTION	DATE	DWN	APVD		
J				SEE SHEET 1			



- MATERIAL; HOUSING: HIGH TEMPERATURE THERMO PLASTIC UL94V-0
 COLOR: BLACK
 CONTACT: PHOS-BRZ
 LOCK LEVER: SUS TIN PLATING.
 - FINISH; CONTACT AREA: GOLD FLASH ON 0.0013MIN ALL OVER NICKEL.
 SOLDERING AREA: GOLD FLASH.
- ⚠ TOLERANCES NON CUMMURATIVE.

LEAD FREE



GENERAL TOLERANCE
 10 ≥ : ± 0.2
 30 > 10: ± 0.25
 100 > 30: ± 0.3
 ANGLES: ± 3°

THIS DRAWING IS A CONTROLLED DOCUMENT.
 DIMENSIONS: MM
 TOLERANCES UNLESS OTHERWISE SPECIFIED:
 0 PLC ±
 1 PLC ±
 2 PLC ±
 3 PLC ±
 4 PLC ±
 ANGLES ±
 MATERIAL: SEE NOTE
 FINISH: SEE NOTE

INSTRUCTION SHEET 411-5882	DWN -	tyco Electronics	Tyco Electronics AMP K.K. Kawasaki, Japan
CIK -	APVD -		NAME
PRODUCT SPEC 108-60039	0.8mm PITCH FAX MODEM SOCKET 124 POSITIONS WITHOUT BOSS		
APPLICATION SPEC	SIZE A3	CAGE CODE 00779	DRAWING NO C=6674506
WEIGHT 3.3g	RESTRICTED TO		
CUSTOMER DRAWING	SCALE 2:1	SHEET 2	OF 5 REV 0

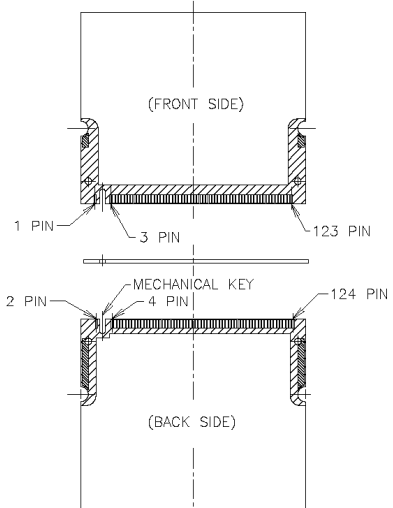
AMP 1470-19 REV 31MAR2000

FB001310

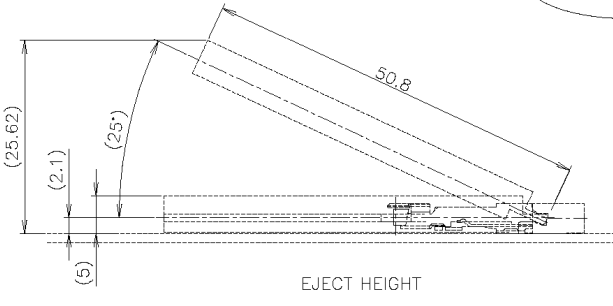
D:\WorkFile\Download_File\B057709\1674506\C-6674507_0.dwg

THIS DRAWING IS UNPUBLISHED. RELEASED FOR PUBLICATION
 COPYRIGHT BY TYCO ELECTRONICS CORPORATION. ALL RIGHTS RESERVED.

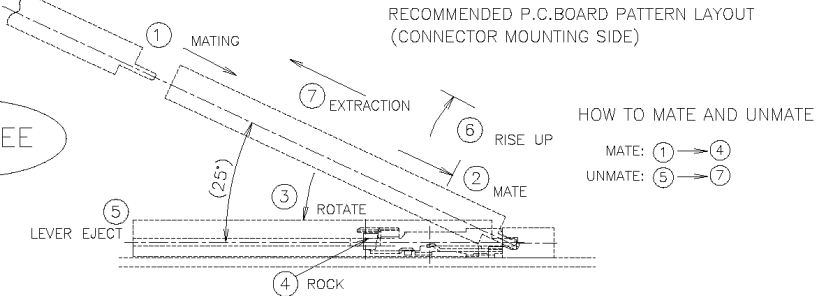
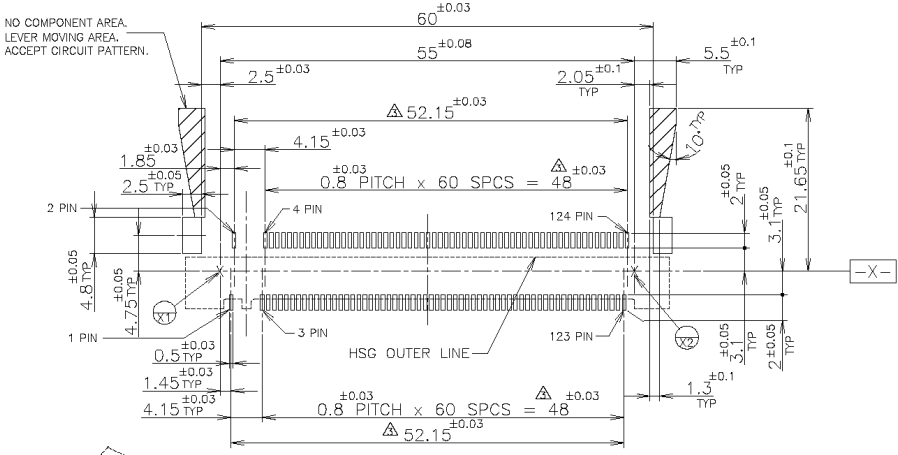
LDC		DIST		REVISIONS			
P	LTR	DESCRIPTION	DATE	DWN	APVD		
		SEE SHEET 1					



CIRCUIT POSITION (SCALE 1:1)



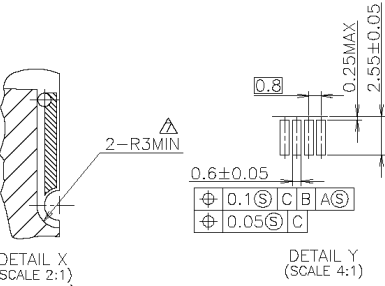
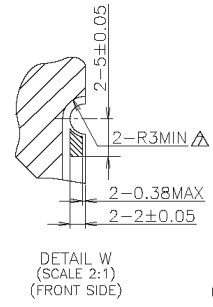
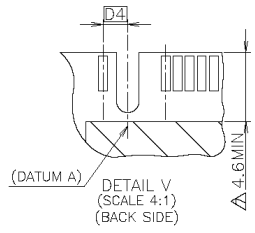
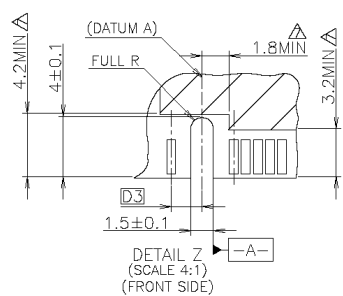
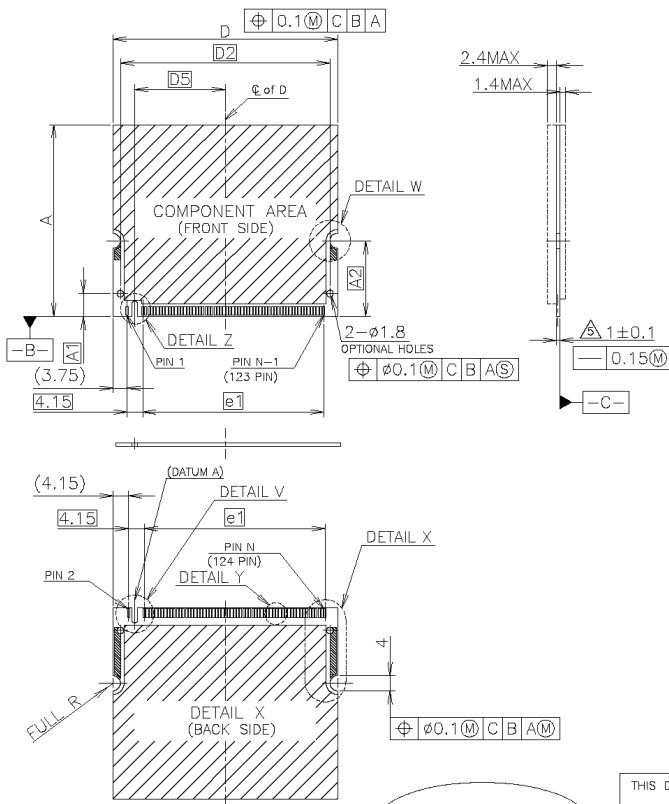
LEAD FREE



THIS DRAWING IS A CONTROLLED DOCUMENT.		DIN	Tyco Electronics AMP K.K. Kawasaki, Japan	
DIMENSIONS: MM		CIK	NAME	
TOLERANCES UNLESS OTHERWISE SPECIFIED:		APVD	0.8mm PITCH FAX MODEM SOCKET	
0 PLC	±	PRODUCT SPEC	124 POSITIONS	
1 PLC	±	APPLICATION SPEC	WITHOUT BOSS	
2 PLC	±	WEIGHT	SIZE	CAGE CODE DRAWING NO
3 PLC	±	CUSTOMER DRAWING	A3	00779 C-6674506
4 PLC	±		SCALE	2:1
ANGLES	±		SHEET	3 OF 5
			REV	0

THIS DRAWING IS UNPUBLISHED. RELEASED FOR PUBLICATION
 COPYRIGHT BY TYCO ELECTRONICS CORPORATION. ALL RIGHTS RESERVED.

LOC		DIST		REVISIONS				
P	LTR	DESCRIPTION			DATE	DWN	APVD	
SEE SHEET 1								

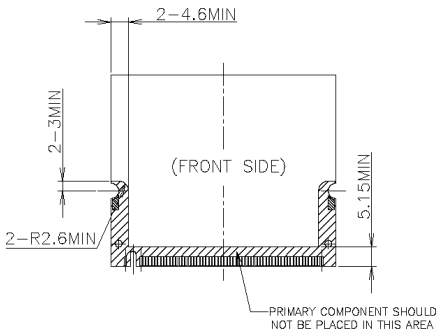


LEAD FREE

THIS DRAWING IS A CONTROLLED DOCUMENT.		DWN	tyco		Tyco Electronics AMP K.K.	
DIMENSIONS: MM		CIK	Electronics		Kawasaki, Japan	
TOLERANCES UNLESS OTHERWISE SPECIFIED:		APVD	NAME			
0 PLC \pm		PRODUCT SPEC	0.8mm PITCH FAX MODEM SOCKET			
1 PLC \pm		APPLICATION SPEC	124 POSITIONS			
2 PLC \pm		WEIGHT	WITHOUT BOSS			
3 PLC \pm		CUSTOMER DRAWING	SIZE	CAGE CODE	DRAWING NO	RESTRICTED TO
4 PLC \pm			A3	00779	C=6674506	
ANGLES \pm		SCALE	1:1		SHEET	4 OF 5
MATERIAL		FINISH			REV	0

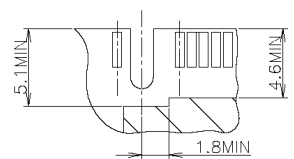
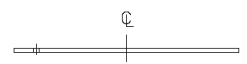
THIS DRAWING IS UNPUBLISHED. RELEASED FOR PUBLICATION
 © COPYRIGHT BY TYCO ELECTRONICS CORPORATION. ALL RIGHTS RESERVED.

LOC		DIST		REVISIONS			
P	LTR	DESCRIPTION	DATE	DWN	APVD		
		SEE SHEET 1					

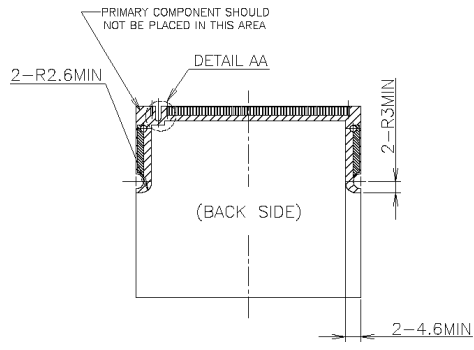


- 4 TOLERANCES ON ALL DIMENSIONS ±0.15 UNLESS OTHERWISE SPECIFIED.
- 5 CARD THICKNESS APPLIES ACROSS TABS AND INCLUDES PLATING AND/OR METALIZATION.
- 6 APPLICATION NOTE;
GOLD CONTACT PAD: ELECTROLESS GOLD PLATING 0.00005 MIN.
- 7 BORDER OF COMPONENT AREA.

LEAD FREE



DETAIL AA
(SCALE 4:1)
(BACK SIDE)



SYMBOL	VARIATIONS ALL DIMENSIONS IN mm					
	NORMAL HEIGHT 44.45			NORMAL HEIGHT 50.80		
	AA			BA		
	MIN	NOM	MAX	MIN	NOM	MAX
A	44.30	44.45	44.60	50.65	50.80	50.95
A1	6.00 BSC			6.00 BSC		
A2	20.00 BSC			20.00 BSC		
D	59.45	59.60	59.75	59.45	59.60	59.75
D2	55.60 BSC			55.60 BSC		
D3	2.05 BSC			2.05 BSC		
D4	1.65 BSC			1.65 BSC		
D5	24.00 BSC			24.00 BSC		
e1	48.00 BSC			48.00 BSC		
N	124			124		

THIS DRAWING IS A CONTROLLED DOCUMENT.		DWN	tyco Tyco Electronics AMP K.K.	
DIMENSIONS: MM		CHK	Electronics Kawasaki Japan	
TOLERANCES UNLESS OTHERWISE SPECIFIED:		APVD	NAME	
0 PLC ±		PRODUCT SPEC	0.8mm PITCH FAX MODEM SOCKET	
1 PLC ±		APPLICATION SPEC	124 POSITIONS	
2 PLC ±		WEIGHT	WITHOUT BOSS	
3 PLC ±		CUSTOMER DRAWING	SIZE	CAGE CODE
4 PLC ±			A3	00779
ANGLES ±			DRAWING NO	RESTRICTED TO
FINISH			C=6674506	
		SCALE	1:1	SHEET 5 OF 5
		REV		0