

LEAD FREE

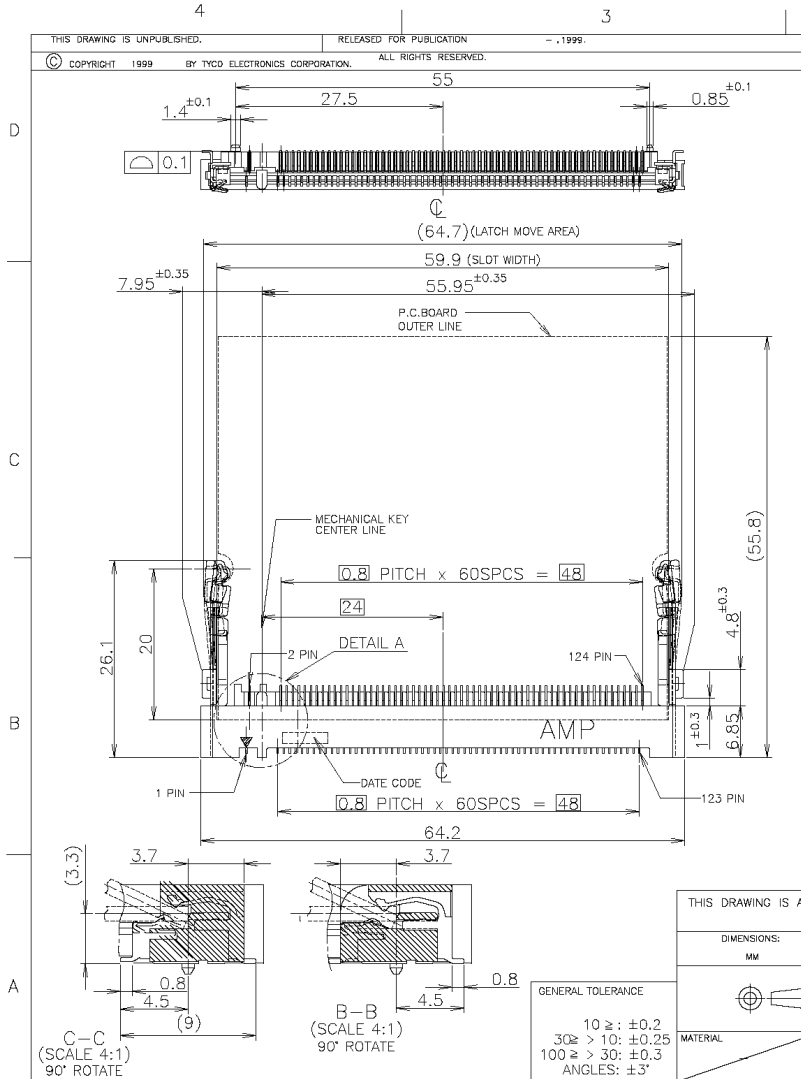
GENERAL TOLERANCE  
10 ≥ : ±0.2  
30 ≥ > 10: ±0.25  
100 ≥ > 30: ±0.3  
ANGLES: ±3°

THIS DRAWING IS A CONTROLLED DOCUMENT.

|                  |  |                              |  |                  |                       |
|------------------|--|------------------------------|--|------------------|-----------------------|
| DIMENSIONS: MM   | TOLERANCES UNLESS OTHERWISE SPECIFIED: | DWN: Julyee Zhu 25AUG2004    | 180  | 1485678-5        | 6674161-1             |
|                  |  | CHK: Steven Yao 25AUG2004    | QTY  | EMBOSS P/N       | P/N                   |
|                  |  | APVD: Ikuo Enomoto 25AUG2004 | Tyco Electronics AMP K.K. Kawasaki, Japan              |                  |                       |
| MATERIAL         | FINISH                                 | PRODUCT SPEC: 108-60039      | NAME: EMBOSS ASSY FAXMODEM SOCKET 124POS. 5.2mm HEIGHT |                  |                       |
|                  |  | APPLICATION SPEC             | SIZE: A3   | CAGE CODE: 00779 | DRAWING NO: C=6674161 |
|                  |  | WEIGHT                       | RESTRICTED TO  |                  |                       |
| CUSTOMER DRAWING |  |                              | SCALE: 1:1   | SHEET: 1 OF 5    | REV: 0                |

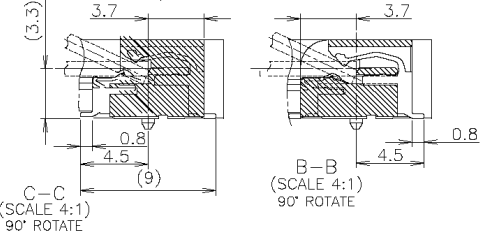
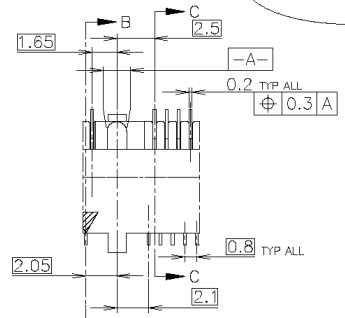
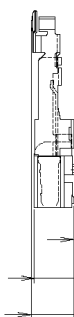
THIS DRAWING IS UNPUBLISHED. RELEASED FOR PUBLICATION - .1999.  
 COPYRIGHT 1999 BY TYCO ELECTRONICS CORPORATION. ALL RIGHTS RESERVED.

| LOC |     | DIST        |      | REVISIONS |      |   |   |
|-----|-----|-------------|------|-----------|------|---|---|
| P   | LTR | DESCRIPTION | DATE | DWN       | APVD |   |   |
| -   | -   | SEE SHEET 1 | -    | -         | -    | - | - |



- 1 MATERIAL; HOUSING: HIGH TEMPERATURE THERMO PLASTIC UL94V-0  
 COLOR: BLACK.  
 CONTACT: PHOS-BRZ  
 LOCK LEVER: SUS TIN PLATING.
- 2 FINISH; CONTACT AREA: GOLD FLASH ON  
 0.0013 MIN ALL OVER NICKEL.  
 SOLDERING AREA: GOLD FLASH PLT.
- 3 TOLERANCES NON-CUMMURATIVE.

LEAD FREE



GENERAL TOLERANCE  
 10 ≥ ±0.2  
 30 ≥ > 10: ±0.25  
 100 ≥ > 30: ±0.3  
 ANGLES: ±3°

|  |  |
|--|--|
| THIS DRAWING IS A CONTROLLED DOCUMENT. |  |
| DIMENSIONS: MM                         | TOLERANCES UNLESS OTHERWISE SPECIFIED: |
|  | 0 PLC ±                                |
|  | 1 PLC ±                                |
|  | 2 PLC ±                                |
|  | 3 PLC ±                                |
|  | 4 PLC ±                                |
|  | ANGLES ±                               |
| MATERIAL                               | FINISH                                 |

|                               |           |                                   |   |
|-------------------------------|-----------|-----------------------------------|---|
| INSTRUCTION SHEET<br>411-5882 | DWN<br>-  | <b>tyco</b><br><b>Electronics</b> | Tyco Electronics AMP K.K.<br>Kawasaki, Japan                  |
| PRODUCT SPEC<br>108-5627      | CIK<br>-  |                                   | 0.8MM PITCH FAX MODEM SOCKET<br>124 POSITIONS<br>5.2MM HEIGHT |
| APPLICATION SPEC              | APVD<br>- | SIZE<br>A3                        | CAGE CODE<br>00779  |
| WEIGHT                        |           | DRAWING NO<br>C=6674161           | RESTRICTED TO   |
| CUSTOMER DRAWING              |           | SCALE<br>2:1                      | SHEET<br>2 OF 5   |
|                               |           |                                   | REV<br>0  |

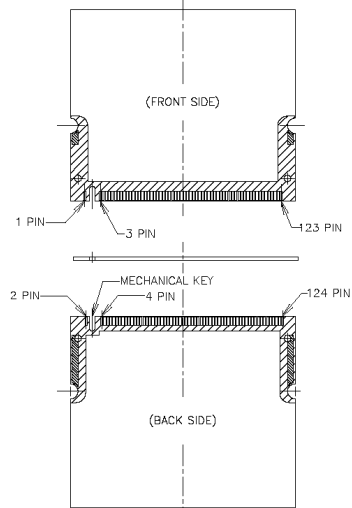
AMP 1470-19 REV 31MAR2000

FB001310

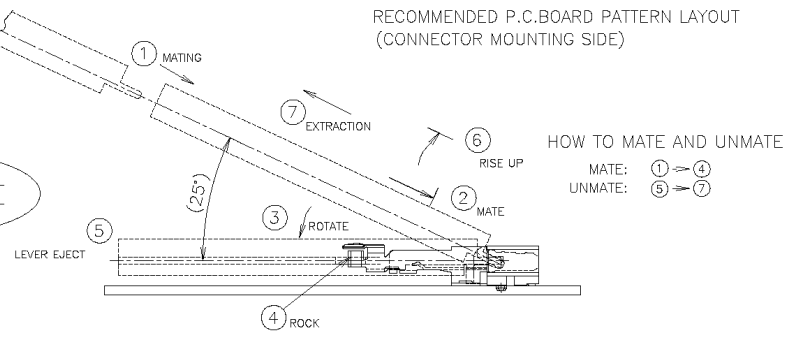
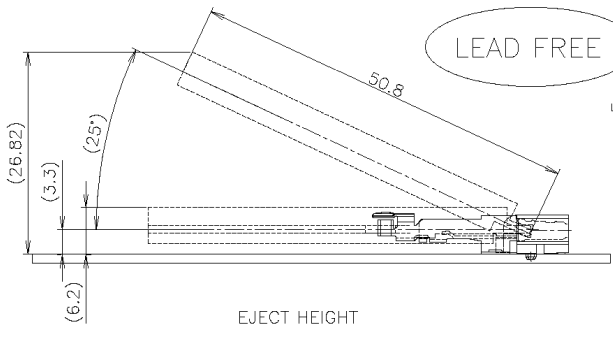
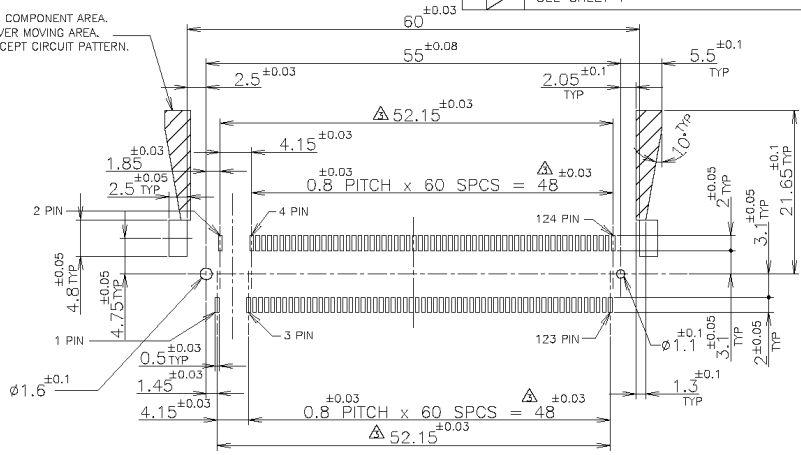
D:\WorkFile\Download\_File\B057709\1612502\C-6318914\_0.dwg

THIS DRAWING IS UNPUBLISHED. RELEASED FOR PUBLICATION - .1999.  
 © COPYRIGHT 1999 BY TYCO ELECTRONICS CORPORATION. ALL RIGHTS RESERVED.

| LOC | DIST | REVISIONS   |      |     |      |
|-----|------|-------------|------|-----|------|
| P   | LTR  | DESCRIPTION | DATE | DWN | APVD |
| J   | -    | SEE SHEET 1 |      |     |      |

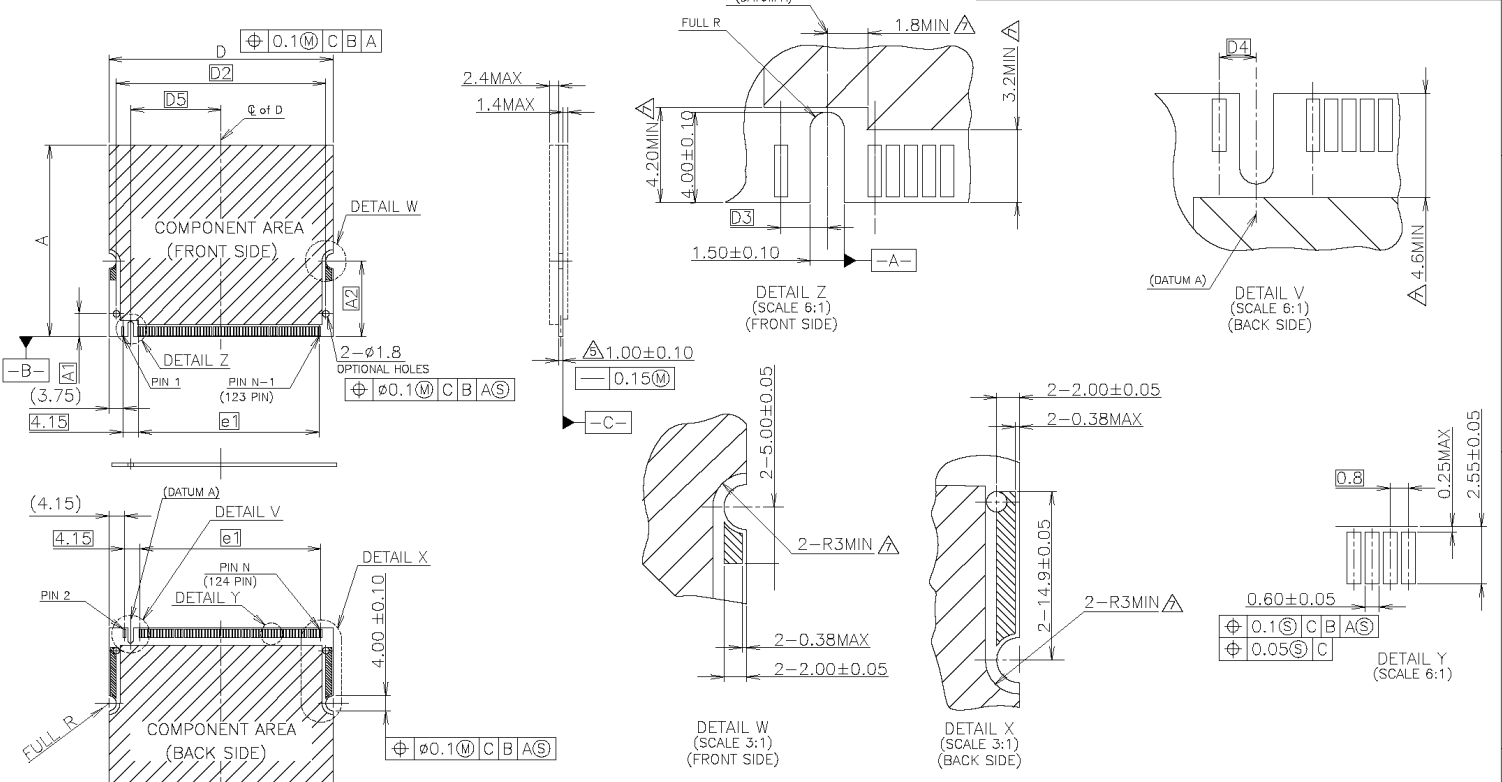


NO COMPONENT AREA.  
 LEVER MOVING AREA.  
 ACCEPT CIRCUIT PATTERN.



|  |  |                  |  |               |
|--|--|------------------|--|---------------|
| THIS DRAWING IS A CONTROLLED DOCUMENT. |  | DIN              | Tyco Electronics AMP K.K.<br>Kawasaki, Japan |               |
| DIMENSIONS:                            | TOLERANCES UNLESS OTHERWISE SPECIFIED: | CIK              | NAME   |               |
| MM                                     | 0 PLC ±                                | APVD             | 0.8MM PITCH FAX MODEM SOCKET                 |               |
|  | 1 PLC ±                                | PRODUCT SPEC     | 124 POSITIONS                                |               |
|  | 2 PLC ±                                | APPLICATION SPEC | 5.2MM HEIGHT                                 |               |
|  | 3 PLC ±                                | WEIGHT           | SIZE   | CAGE CODE     |
|  | 4 PLC ±                                |                  | A3   | 00779         |
| MATERIAL                               | FINISH                                 |                  | DRAWING NO                                   | RESTRICTED TO |
|  |  |                  | C-6674161                                    |               |
| CUSTOMER DRAWING                       |  |                  | SCALE  | SHEET         |
|  |  |                  | 2:1  | 3 OF 5        |
|  |  |                  |  | REV           |
|  |  |                  |  | 0             |

AMP 1470-19 REV 31MAR2000  
 FB001310

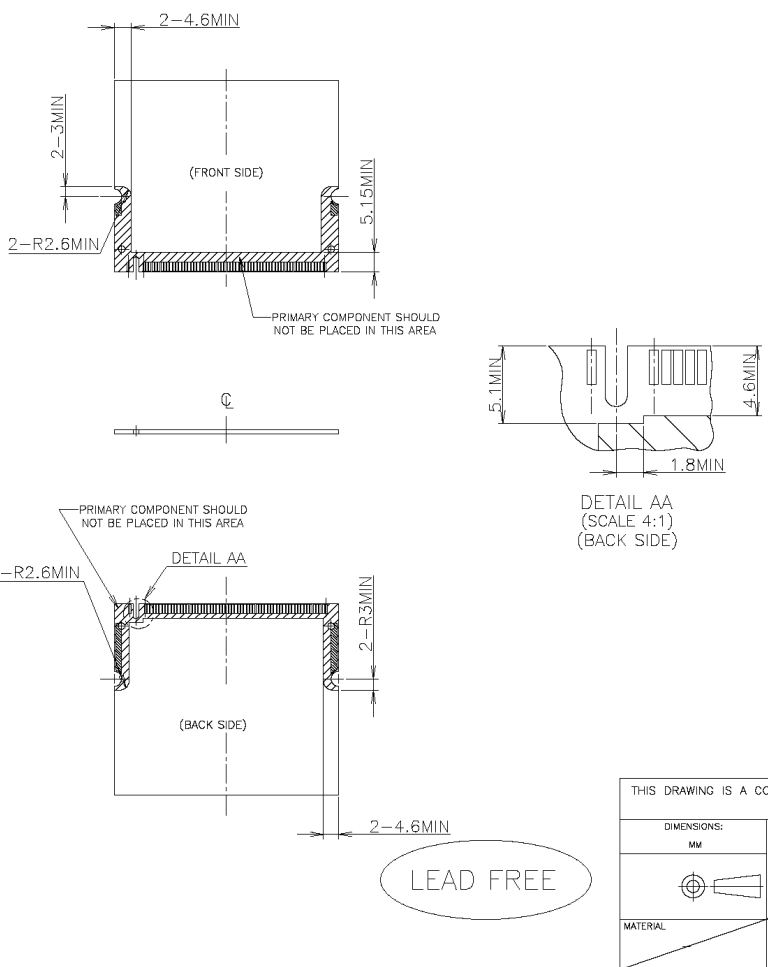


LEAD FREE

|  |   |                  |                              |               |
|--|---|------------------|------------------------------|---------------|
| THIS DRAWING IS A CONTROLLED DOCUMENT. |   | DWN              | Tyco Electronics AMP K.K.    |               |
| DIMENSIONS: MM                         |   | CHK              | Kawasaki, Japan              |               |
| TOLERANCES UNLESS OTHERWISE SPECIFIED: |   | APVD             | NAME                         |               |
| 0 PLC                                  | ± | PRODUCT SPEC     | 0.8MM PITCH FAX MODEM SOCKET |               |
| 1 PLC                                  | ± | APPLICATION SPEC | 124 POSITIONS                |               |
| 2 PLC                                  | ± | WEIGHT           | 5.2MM HEIGHT                 |               |
| 3 PLC                                  | ± | CUSTOMER DRAWING | SIZE                         | RESTRICTED TO |
| 4 PLC                                  | ± |                  | A3                           |               |
| ANGLES                                 | ± |                  | CAGE CODE                    | DRAWING NO    |
| FINISH                                 |   |                  | 00779                        | C=6674161     |
|  |   |                  | SCALE                        | SHEET         |
|  |   |                  | 1:1                          | 4 OF 5        |
|  |   |                  |                              | REV 0         |

THIS DRAWING IS UNPUBLISHED. RELEASED FOR PUBLICATION  
 © COPYRIGHT 1999 BY TYCO ELECTRONICS CORPORATION. ALL RIGHTS RESERVED.

| LOC |     | DIST        |      | REVISIONS   |      |  |  |
|-----|-----|-------------|------|-------------|------|--|--|
| P   | LTR | DESCRIPTION | DATE | DN          | APVD |  |  |
| J   |     | -           |      | SEE SHEET 1 |      |  |  |



- 4 TOLERANCES ON ALL DIMENSIONS  $\pm 0.15$  UNLESS OTHERWISE SPECIFIED.
- 5 CARD THICKNESS APPLIES ACROSS TABS AND INCLUDES PLATING AND/OR METALIZATION.
- 6 APPLICATION NOTE:  
 GOLD CONTACT PAD : ELECTROLESS GOLD PLATING 0.05 $\mu$ m MIN.  
 OVER ELECTROLESS Ni PLATING 2 $\mu$ m MIN.
- 7 BORDER OF COMPONENT AREA.

| SYMBOL | VARIATIONS ALL DIMENSIONS IN mm |       |       |                     |       |       |
|--------|---------------------------------|-------|-------|---------------------|-------|-------|
|        | NORMAL HEIGHT 44.45             |       |       | NORMAL HEIGHT 50.80 |       |       |
|        | AA                              |       |       | BA                  |       |       |
|        | MIN                             | NOM   | MAX   | MIN                 | NOM   | MAX   |
| A      | 44.3                            | 44.45 | 44.60 | 50.65               | 50.80 | 50.95 |
| A1     | 6.00                            | BSC   |       | 6.00                | BSC   |       |
| A2     | 20.00                           | BSC   |       | 20.00               | BSC   |       |
| D      | 59.45                           | 59.6  | 59.75 | 59.45               | 59.6  | 59.75 |
| D1     | 1.30                            | BSC   |       | 1.30                | BSC   |       |
| D2     | 55.60                           | BSC   |       | 55.60               | BSC   |       |
| D3     | 2.05                            | BSC   |       | 2.05                | BSC   |       |
| D4     | 1.65                            | BSC   |       | 1.65                | BSC   |       |
| D5     | 24.00                           | BSC   |       | 24.00               | BSC   |       |
| e1     | 48.00                           | BSC   |       | 48.00               | BSC   |       |
| N      |                                 | 124   |       |                     | 124   |       |

THIS DRAWING IS A CONTROLLED DOCUMENT.

|                |  |                  |   |
|----------------|--|------------------|---|
| DIMENSIONS: MM | TOLERANCES UNLESS OTHERWISE SPECIFIED: | DIN              | Tyco Electronics AMP K.K. Kawasaki, Japan                     |
| 0 PLC $\pm$    | 1 PLC $\pm$                            | CIK              |   |
| 2 PLC $\pm$    | 3 PLC $\pm$                            | APVD             | NAME  |
| 4 PLC $\pm$    | ANGLES $\pm$                           | PRODUCT SPEC     | 0.8MM PITCH FAX MODEM SOCKET                                  |
| MATERIAL       | FINISH                                 | APPLICATION SPEC | 124 POSITIONS   |
|                |  | WEIGHT           | 5.2MM HEIGHT  |
|                |  | CUSTOMER DRAWING | SIZE: A3 CAGE CODE: 00779 DRAWING NO: C=6674161 RESTRICTED TO |
|                |  |                  | SCALE: 1:1 SHEET: 5 OF 5 REV: 0                               |