

4

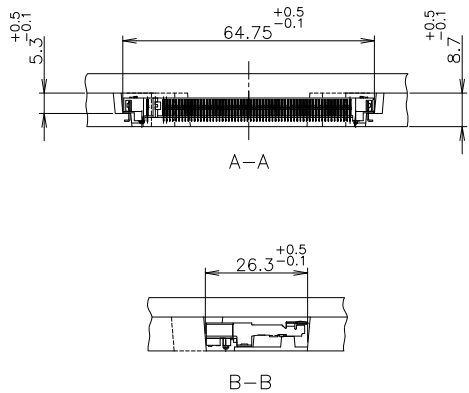
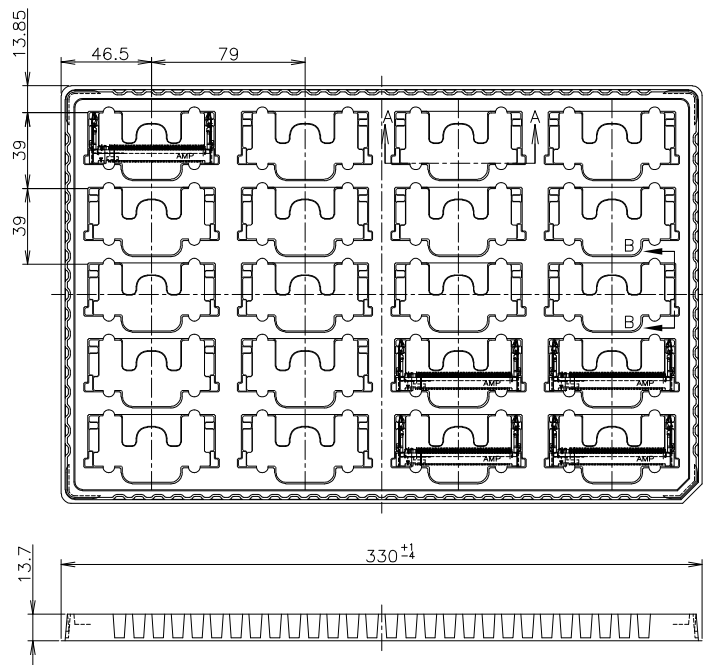
3

2

1

THIS DRAWING IS UNPUBLISHED. RELEASED FOR PUBLICATION
 © COPYRIGHT BY TYCO ELECTRONICS CORPORATION. ALL RIGHTS RESERVED.

LOC	DIST	REVISIONS			
P	LTR	DESCRIPTION	DATE	DWN	APVD
	A	RELEASED (ECR-07-007304)	29MAR07	B.W	S.Y



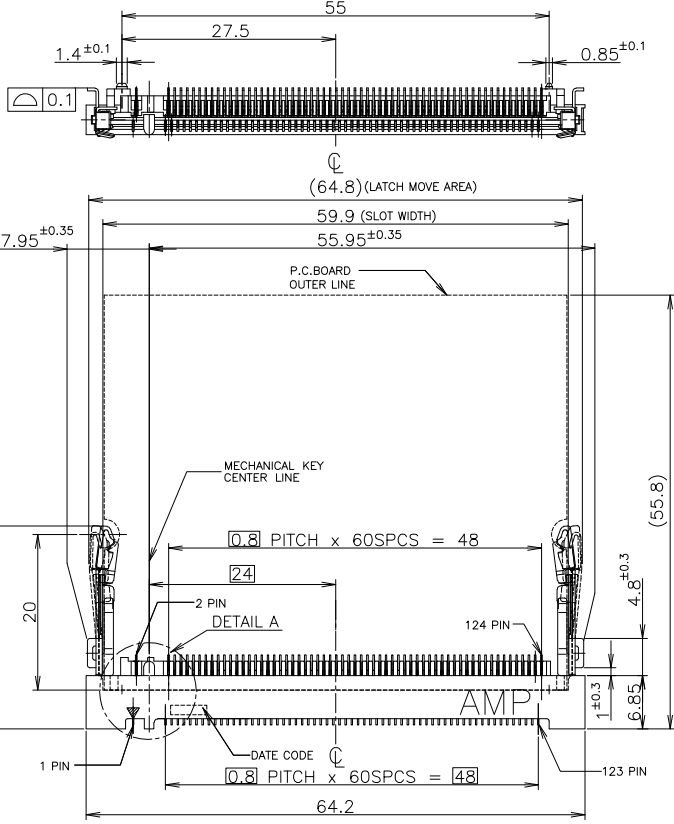
1. THE DIRECTION OF EACH CONNECTOR ON A TRAY IS REFERRED TO THIS DWG.
2. REFER TO PACKING SPEC 107-5195-1.
3. GENERAL TOLERANCES±0.5

THIS DRAWING IS A CONTROLLED DOCUMENT.		DWN	25AUG04	20EA/TRAY	7-912077-3	6565667-1												
		CHK	25AUG04	QTY	TRAY P/N	PART NUMBER												
		APVD	25AUG04	Tyco Electronics AMP K.K. Kawasaki, Japan														
		NAME																
DIMENSIONS: MM		TOLERANCES UNLESS OTHERWISE SPECIFIED:		PRODUCT SPEC: 0.8mm PITCH FAX MODEM SOCKET APPLICATION SPEC: 124POSITIONS 6.00mm HEIGHT														
<table border="1"> <tr><td>0 PLC</td><td>± -</td></tr> <tr><td>1 PLC</td><td>± -</td></tr> <tr><td>2 PLC</td><td>± -</td></tr> <tr><td>3 PLC</td><td>± -</td></tr> <tr><td>4 PLC</td><td>± -</td></tr> <tr><td>ANGLES</td><td>± -</td></tr> </table>		0 PLC	± -	1 PLC	± -	2 PLC	± -	3 PLC	± -	4 PLC	± -	ANGLES	± -	JULYEE ZHU STEVEN YAO IENOMOTO		NAME: 108-60040 APPLICATION SPEC		
0 PLC	± -																	
1 PLC	± -																	
2 PLC	± -																	
3 PLC	± -																	
4 PLC	± -																	
ANGLES	± -																	
MATERIAL: SEE NOTE		FINISH: SEE NOTE		SIZE: A3 CAGE CODE: 00779 DRAWING NO: 6565667 RESTRICTED TO:														
CUSTOMER DRAWING				SCALE: NTS	SHEET: 1 OF 5	REV: A												

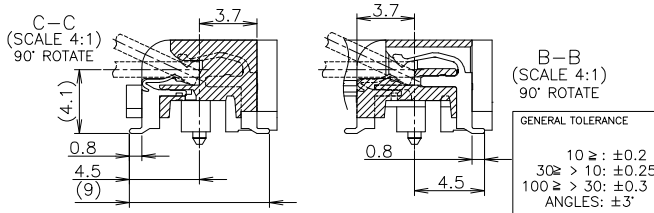
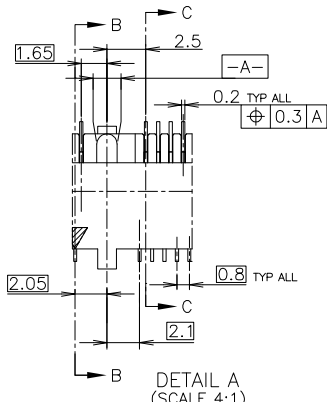
AMP 1470-19 REV 31MAR2000

THIS DRAWING IS UNPUBLISHED. RELEASED FOR PUBLICATION
 © COPYRIGHT - BY TYCO ELECTRONICS CORPORATION. ALL RIGHTS RESERVED.

LOC	DIST	REVISIONS			
P	LTR	DESCRIPTION	DATE	DWN	APVD
-	-	SEE SHEET 1	-	-	-



- 1 MATERIAL; HOUSING: HIGH TEMPERATURE THERMO PLASTIC UL94V-0
 COLOR: BLACK
 CONTACT: PHOS-BRZ
 LOCK LEVER: SUS TIN PLATING.
 - 2 FINISH; CONTACT AREA: GOLD FLASH ON 0.0013MIN ALL OVER NICKEL.
 SOLDERING AREA: GOLD FLASH.
- ⚠ TOLERANCES NON CUMMURATIVE.



THIS DRAWING IS A CONTROLLED DOCUMENT.

DIMENSIONS: MM	TOLERANCES UNLESS OTHERWISE SPECIFIED: 0 PLC ± 1 PLC ± 2 PLC ± 3 PLC ± 4 PLC ± ANGLES ±	DWN CHK APVD	tyco Electronics Tyco Electronics AMP K.K. Kawasaki, Japan	
MATERIAL SEE NOTE	FINISH SEE NOTE	PRODUCT SPEC 108-60040	NAME 0.8mm PITCH FAX MODEM SOCKET 124 POSITIONS 6.00mm HEIGHT	
WEIGHT		SIZE A3	CAGE CODE 00779	DRAWING NO 6565667
CUSTOMER DRAWING		SCALE 2:1	SHEET 2	OF 5 REV A

INSTRUCTION SHEET 411-5882
 HEIGHT 6
 P/N 6565667-1

AMP 1470-19 REV 31MAR2000

4

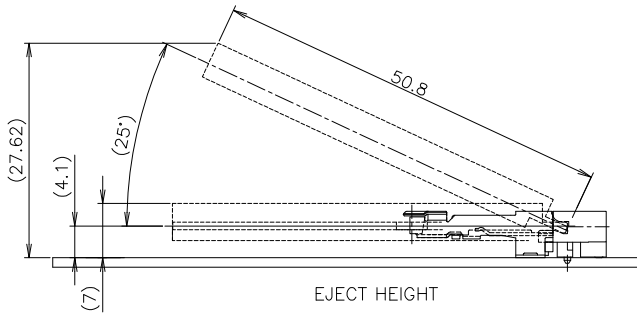
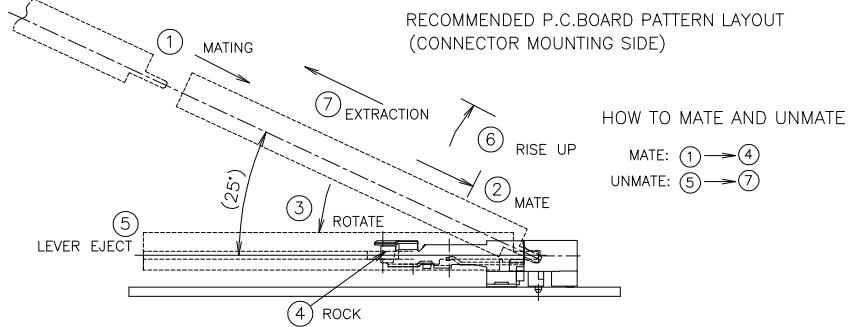
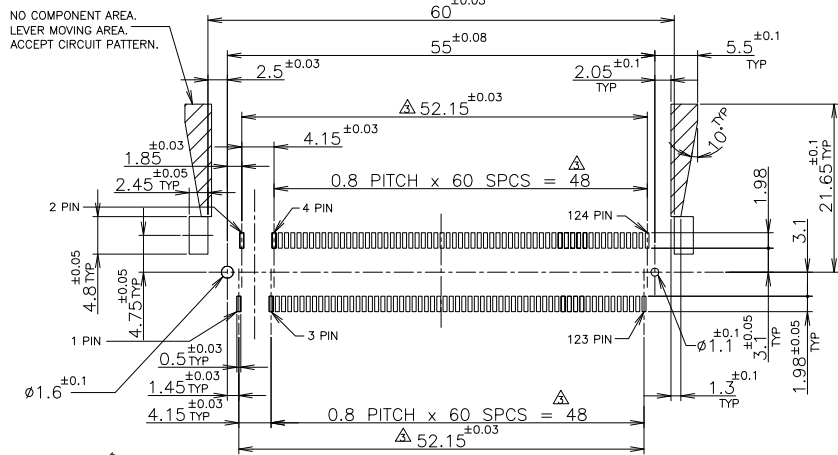
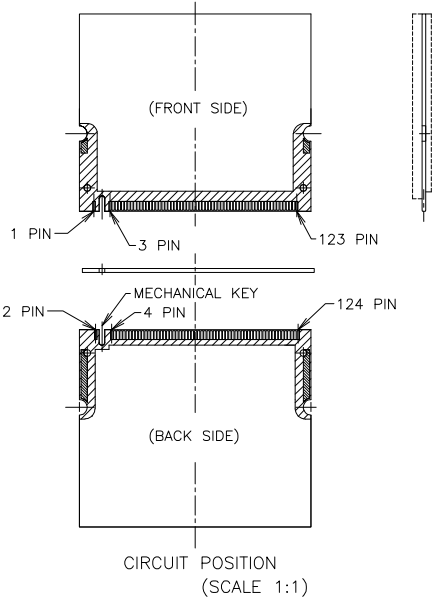
3

2

1

THIS DRAWING IS UNPUBLISHED. RELEASED FOR PUBLICATION
 © COPYRIGHT BY TYCO ELECTRONICS CORPORATION. ALL RIGHTS RESERVED.

LOC	DIST	REVISIONS			
P	LTR	DESCRIPTION	DATE	DWN	APVD
		SEE SHEET 1			



THIS DRAWING IS A CONTROLLED DOCUMENT.		DWN	Tyco Electronics AMP K.K. Kawasaki, Japan	
DIMENSIONS:	TOLERANCES UNLESS OTHERWISE SPECIFIED:	CHK	NAME	0.8mm PITCH FAX MODEM SOCKET
MM	0 PLC ± -	APVD	PRODUCT SPEC	124 POSITIONS
	1 PLC ± -	APPLICATION SPEC	WEIGHT	6.00mm HEIGHT
	2 PLC ± -	SIZE	CAGE CODE	DRAWING NO
	3 PLC ± -	A3	00779	6565667
	4 PLC ± -	CUSTOMER DRAWING	SCALE	2:1
MATERIAL	FINISH		SHEET	3 OF 5
			REV	A

AMP 1470-19 REV 31MAR2000

4

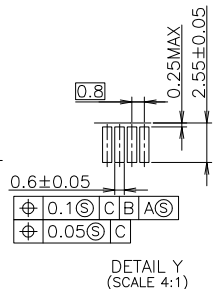
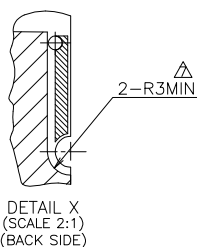
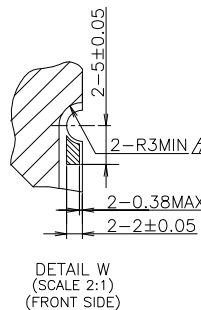
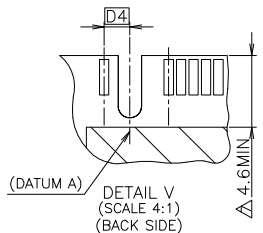
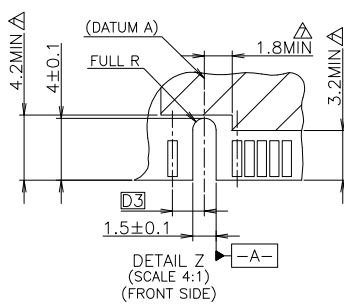
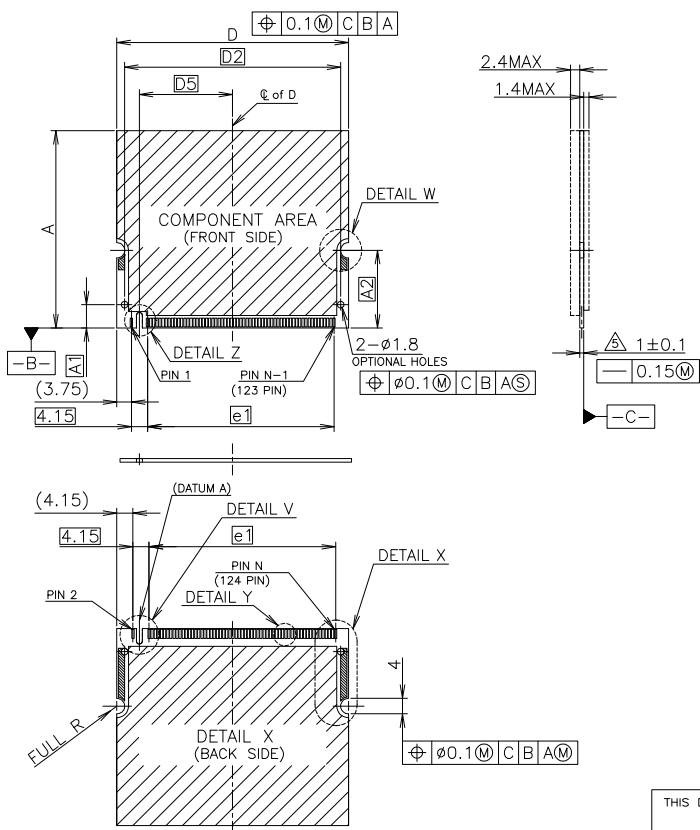
3

2

1

THIS DRAWING IS UNPUBLISHED. RELEASED FOR PUBLICATION
 © COPYRIGHT - BY TYCO ELECTRONICS CORPORATION. ALL RIGHTS RESERVED.

LOC	DIST	REVISIONS			
P	LTR	DESCRIPTION	DATE	DWN	APVD
		SEE SHEET 1			



THIS DRAWING IS A CONTROLLED DOCUMENT.		DWN	Tyco Electronics AMP K.K. Kawasaki, Japan	
DIMENSIONS:	TOLERANCES UNLESS OTHERWISE SPECIFIED:	CHK	NAME	
MM	0 PLC ± -	APVD	0.8mm PITCH FAX MODEM SOCKET	
	1 PLC ± -	PRODUCT SPEC	124 POSITIONS	
	2 PLC ± -	APPLICATION SPEC	6.00mm HEIGHT	
	3 PLC ± -	WEIGHT	SIZE	CAGE CODE
	4 PLC ± -	CUSTOMER DRAWING	A3	00779
MATERIAL	FINISH	DRAWING NO		RESTRICTED TO
		C-6565667		
		SCALE	SHEET	REV
		1:1	4 OF 5	A

AMP 1470-19 REV 31MAR2000

4

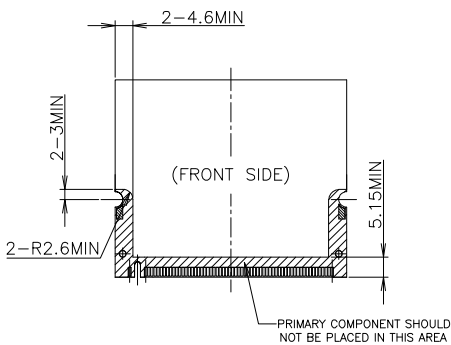
3

2

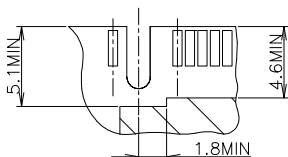
1

THIS DRAWING IS UNPUBLISHED. RELEASED FOR PUBLICATION
 © COPYRIGHT - BY TYCO ELECTRONICS CORPORATION. ALL RIGHTS RESERVED.

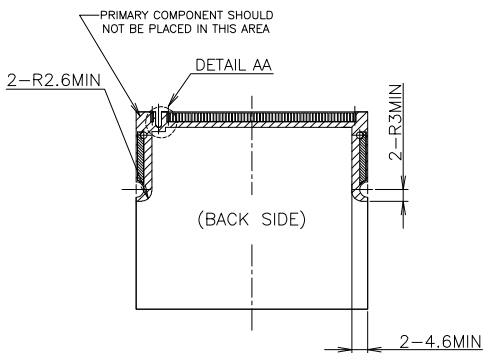
LOC	DIST	REVISIONS				
P	LTR	DESCRIPTION	DATE	DWN	APVD	
		SEE SHEET 1				



- 4 TOLERANCES ON ALL DIMENSIONS ±0.15 UNLESS OTHERWISE SPECIFIED.
- △ CARD THICKNESS APPLIES ACROSS TABS AND INCLUDES PLATING AND/OR METALIZATION.
- 6 APPLICATION NOTE;
- △ GOLD CONTACT PAD: ELECTROLESS GOLD PLATING 0.05μm MIN.
- △ BORDER OF COMPONENT AREA.



DETAIL AA
(SCALE 4:1)
(BACK SIDE)



SYMBOL	VARIATIONS ALL DIMENSIONS IN mm					
	NORMAL HEIGHT 44.45			NORMAL HEIGHT 50.80		
	AA			BA		
	MIN	NOM	MAX	MIN	NOM	MAX
A	44.30	44.45	44.60	50.65	50.80	50.95
A1	6.00 BSC			6.00 BSC		
A2	20.00 BSC			20.00 BSC		
D	59.45	59.60	59.75	59.45	59.60	59.75
D2	55.60 BSC			55.60 BSC		
D3	2.05 BSC			2.05 BSC		
D4	1.65 BSC			1.65 BSC		
D5	24.00 BSC			24.00 BSC		
e1	48.00 BSC			48.00 BSC		
N	124			124		

THIS DRAWING IS A CONTROLLED DOCUMENT.		DWN	Tyco Electronics AMP K.K. Kawasaki, Japan	
DIMENSIONS:	TOLERANCES UNLESS OTHERWISE SPECIFIED:	CHK	NAME	
MM	0 PLC ± -	APVD	0.8mm PITCH FAX MODEM SOCKET	
	1 PLC ± -	PRODUCT SPEC	124 POSITIONS	
	2 PLC ± -	APPLICATION SPEC	6.00mm HEIGHT	
	3 PLC ± -	WEIGHT	SIZE	CAGE CODE
	4 PLC ± -	CUSTOMER DRAWING	A3	00779
MATERIAL	FINISH	RESTRICTED TO	DRAWING NO	6565667
		SCALE	1:1	SHEET 5 OF 5
		REV	A	