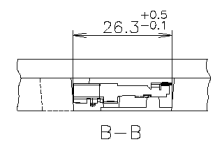
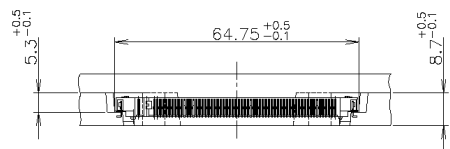
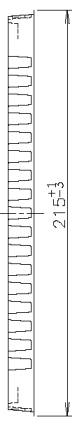
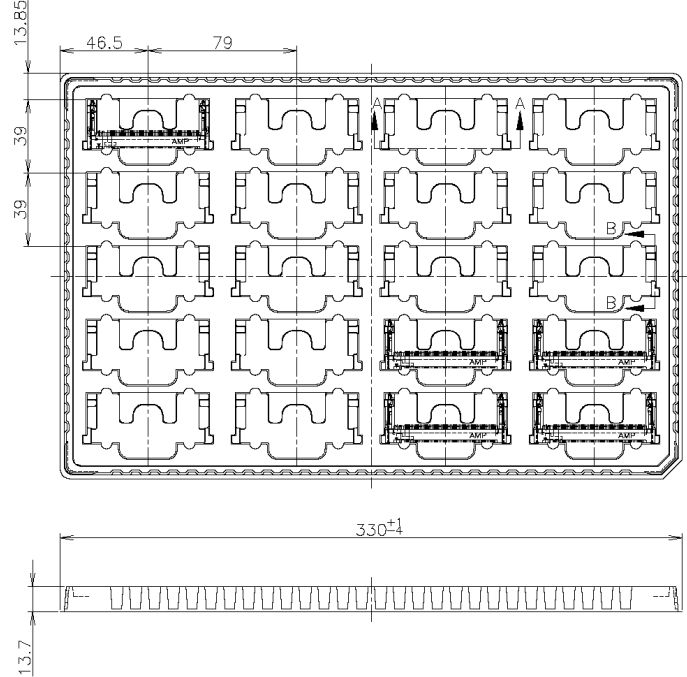


THIS DRAWING IS UNPUBLISHED. RELEASED FOR PUBLICATION
 © COPYRIGHT BY TYCO ELECTRONICS CORPORATION. ALL RIGHTS RESERVED.

REVISIONS					
P	LTR	DESCRIPTION	DATE	DWN	APVD
0		RELEASED FJBO-1113-04	25AUG2004	J.Z	I.E



1. THE DIRECTION OF EACH CONNECTOR ON A TRAY IS REFERRED TO THIS DWG.
2. REFER TO PACKING SPEC 107-5195-1
3. GENERAL TOLERANCES ±0.5

LEAD FREE

THIS DRAWING IS A CONTROLLED DOCUMENT.		DWN Julyee Zhu 25AUG2004	20EA/TRAY		7-912077-3	6565283-1																							
DIMENSIONS: MM		CHK Steven Yao 25AUG2004	QTY	TRAY P/N	PART NUMBER																								
TOLERANCES UNLESS OTHERWISE SPECIFIED:		APVD Ikuo Enomoto 25AUG2004	Tyco Electronics AMP K.K. Kawasaki Japan																										
<table border="1"> <tr><td>0</td><td>PLC</td><td>±</td><td>±</td></tr> <tr><td>1</td><td>PLC</td><td>±</td><td>±</td></tr> <tr><td>2</td><td>PLC</td><td>±</td><td>±</td></tr> <tr><td>3</td><td>PLC</td><td>±</td><td>±</td></tr> <tr><td>4</td><td>PLC</td><td>±</td><td>±</td></tr> <tr><td colspan="2">ANGLES</td><td>±</td><td>±</td></tr> </table>		0	PLC	±	±	1	PLC	±	±	2	PLC	±	±	3	PLC	±	±	4	PLC	±	±	ANGLES		±	±	NAME Ikuo Enomoto PRODUCT SPEC 108-60040 APPLICATION SPEC			
0	PLC	±	±																										
1	PLC	±	±																										
2	PLC	±	±																										
3	PLC	±	±																										
4	PLC	±	±																										
ANGLES		±	±																										
MATERIAL		WEIGHT		SIZE		RESTRICTED TO																							
		FINISH		A3 00779 C=6565283																									
CUSTOMER DRAWING			SCALE	NTS	SHEET	1 OF 5 REV 0																							

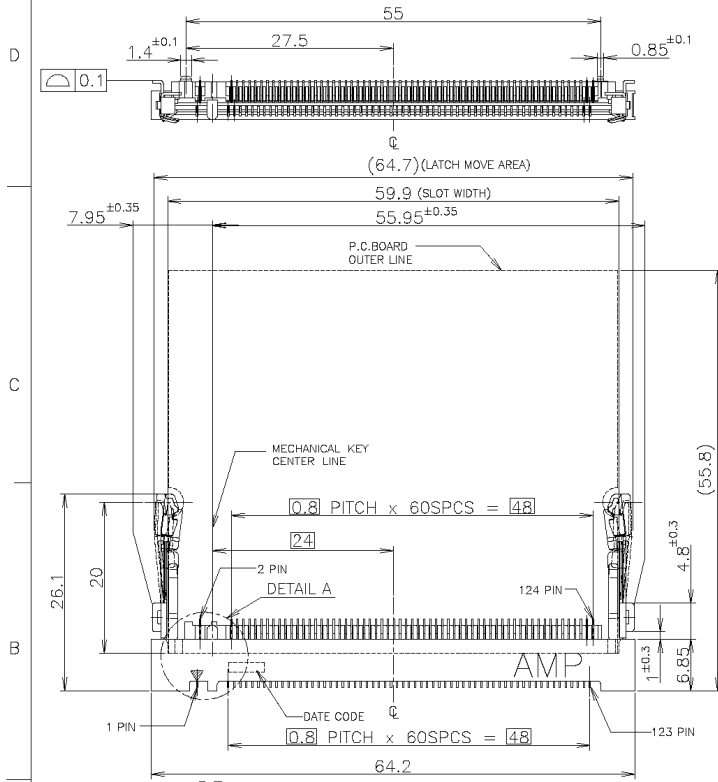
AMP 1470-19 REV 31MAR2000

FB001310

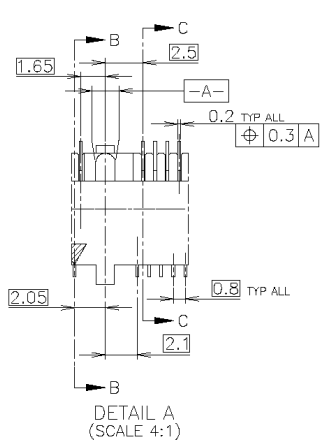
D:\WorkFile\Download_File\B057709\1565283\C-6565283_0.dwg

THIS DRAWING IS UNPUBLISHED. RELEASED FOR PUBLICATION
 COPYRIGHT BY TYCO ELECTRONICS CORPORATION. ALL RIGHTS RESERVED.

LOC		DIST		REVISIONS			
P	LTR	DESCRIPTION	DATE	DWN	APVD		
-	-	SEE SHEET 1	-	-	-	-	-

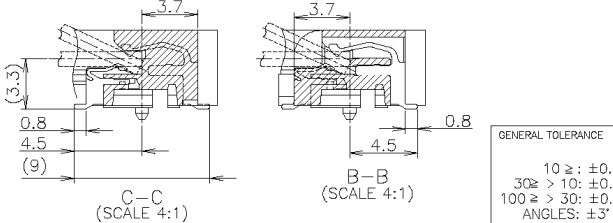


- MATERIAL; HOUSING: HIGH TEMPERATURE THERMO PLASTIC UL94V-0
 COLOR: BLACK
 CONTACT: PHOS-BRZ
 LOCK LEVER: SUS TIN PLATING.
- FINISH; CONTACT AREA: GOLD FLASH ON 0.0013MIN ALL OVER NICKEL.
 SOLDERING AREA: GOLD FLASH.
- TOLERANCES NON CUMMURATIVE.



LEAD FREE

5.2	6565283-1
HEIGHT	P/N

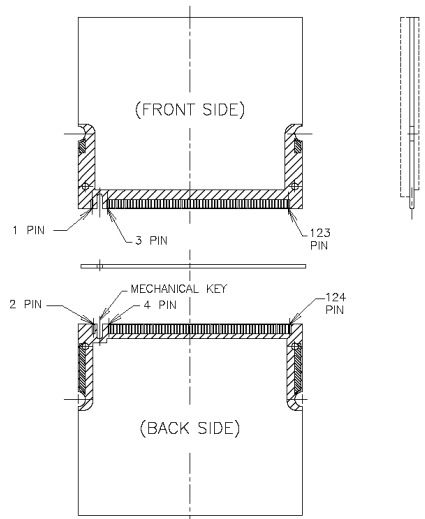


THIS DRAWING IS A CONTROLLED DOCUMENT.		DWN Julyee Zhu 25AUG2004	tyco Electronics		Tyco Electronics AMP K.K. Kawasaki, Japan
DIMENSIONS: MM		CHK Steven Yao 25AUG2004	NAME Ikuya Yamamoto 25AUG2004		0.8MM PITCH FAXMODEM SOCKET
TOLERANCES UNLESS OTHERWISE SPECIFIED:		PRODUCT SPEC 108-60040		124 POSITIONS	
0 PLC ±		APPLICATION SPEC		5.2MM HEIGHT	
1 PLC ±		WEIGHT		SIZE A3	CAGE CODE 00779
2 PLC ±		CUSTOMER DRAWING		DRAWING NO C=6565283	RESTRICTED TO
3 PLC ±		SCALE 2:1		SHEET 2	OF 5
4 PLC ±		REV 0			
ANGLES: ±3'					

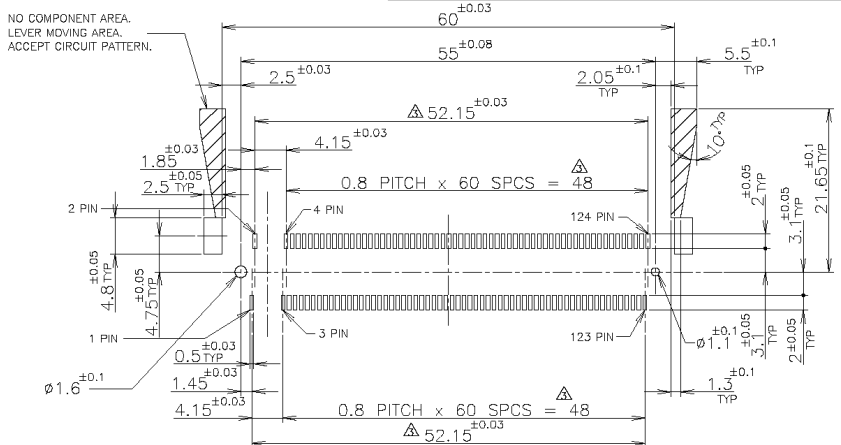
GENERAL TOLERANCE
 10 ≥ : ±0.2
 30 ≥ > 10 : ±0.25
 100 ≥ > 30 : ±0.3
 ANGLES: ±3'

THIS DRAWING IS UNPUBLISHED. RELEASED FOR PUBLICATION
 © COPYRIGHT BY TYCO ELECTRONICS CORPORATION. ALL RIGHTS RESERVED.

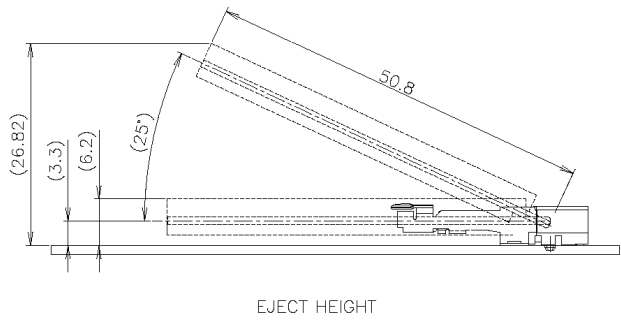
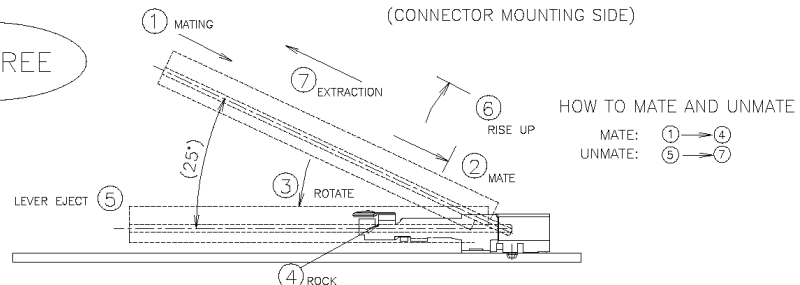
LOC		DIST		REVISIONS				
P	LTR	DESCRIPTION			DATE	DWN	APVD	
SEE SHEET 1								



CIRCUIT POSITION (SCALE 1:1)



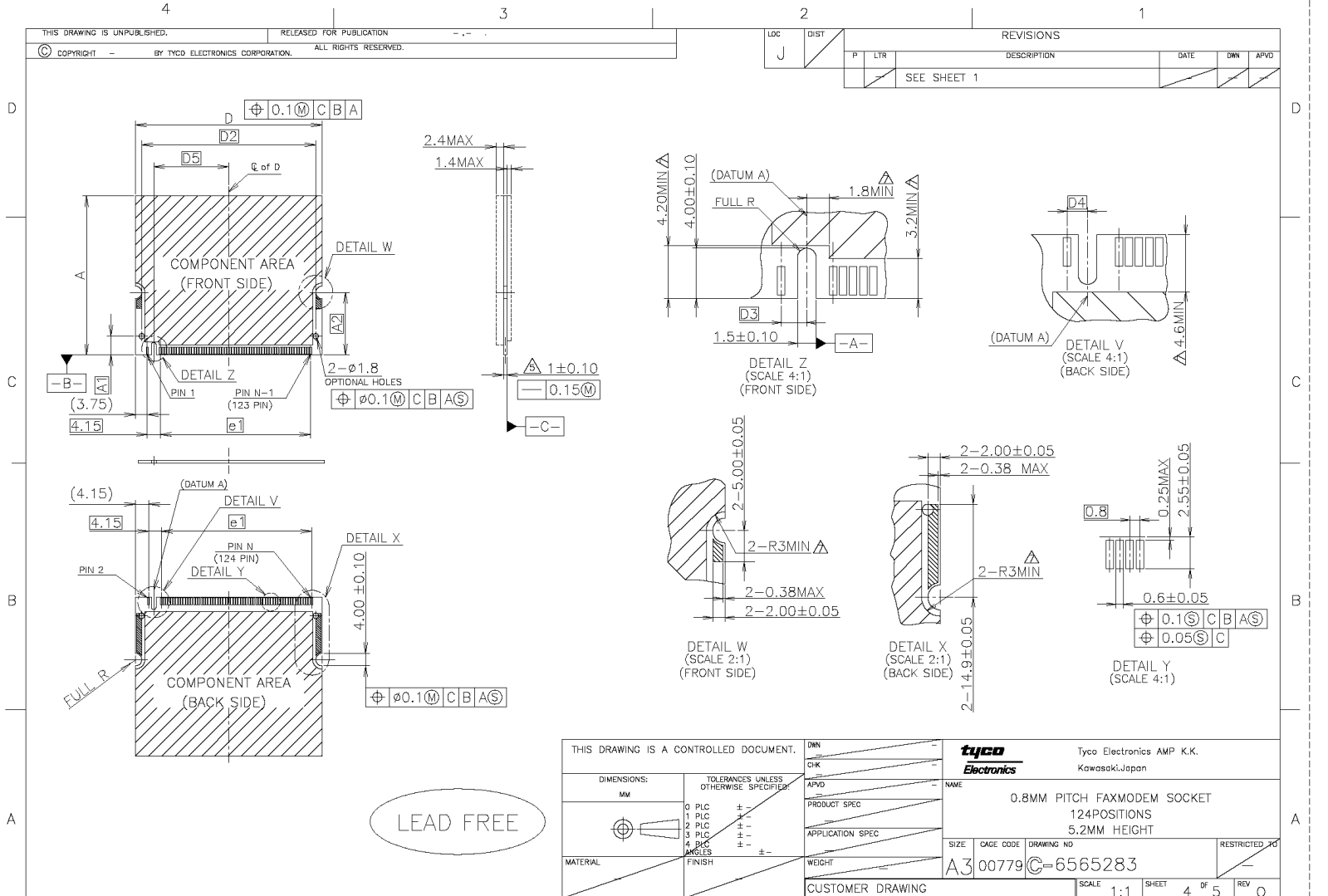
LEAD FREE



THIS DRAWING IS A CONTROLLED DOCUMENT.		DIN	Tyco Electronics AMP K.K. Kawasaki, Japan																									
DIMENSIONS: MM		CIK	NAME																									
<table border="1"> <tr><td>0</td><td>PLC</td><td>±</td><td>±</td></tr> <tr><td>1</td><td>PLC</td><td>±</td><td>±</td></tr> <tr><td>2</td><td>PLC</td><td>±</td><td>±</td></tr> <tr><td>3</td><td>PLC</td><td>±</td><td>±</td></tr> <tr><td>4</td><td>PLC</td><td>±</td><td>±</td></tr> <tr><td colspan="2">ANGLES</td><td>±</td><td>±</td></tr> </table>		0	PLC	±	±	1	PLC	±	±	2	PLC	±	±	3	PLC	±	±	4	PLC	±	±	ANGLES		±	±	APVD	0.8MM PITCH FAXMODEM SOCKET	
0	PLC	±	±																									
1	PLC	±	±																									
2	PLC	±	±																									
3	PLC	±	±																									
4	PLC	±	±																									
ANGLES		±	±																									
MATERIAL		PRODUCT SPEC	124 POSITIONS																									
FINISH		APPLICATION SPEC	5.2MM HEIGHT																									
		WEIGHT	SIZE	CAGE CODE																								
		CUSTOMER DRAWING	A3	00779																								
			DRAWING NO	RESTRICTED TO																								
			C=6565283																									
		SCALE	2:1	SHEET 3 OF 5																								
		REV		0																								

THIS DRAWING IS UNPUBLISHED. RELEASED FOR PUBLICATION
 © COPYRIGHT BY TYCO ELECTRONICS CORPORATION. ALL RIGHTS RESERVED.

LOC		DIST		REVISIONS			
P	LTR	DESCRIPTION		DATE	DN	APVD	
SEE SHEET 1							

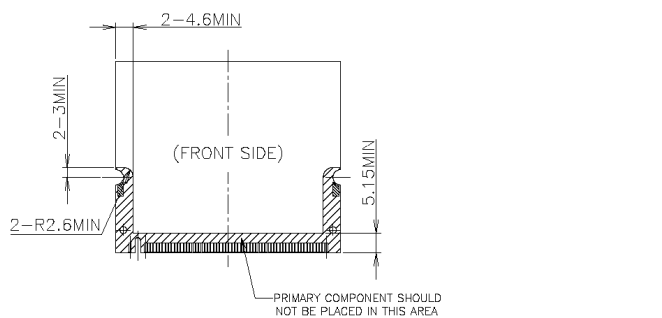


LEAD FREE

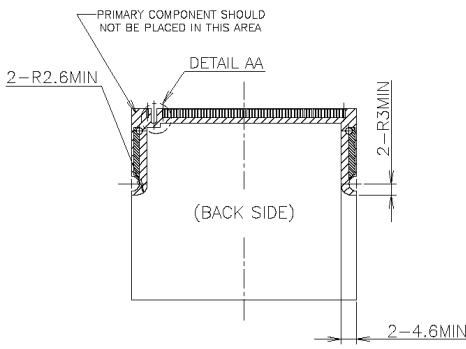
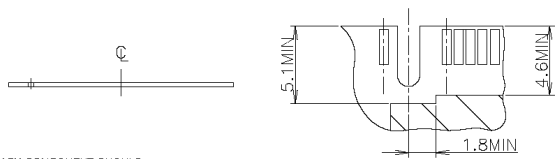
THIS DRAWING IS A CONTROLLED DOCUMENT.		DIN	tyco Tyco Electronics AMP K.K. Kawasaki, Japan	
DIMENSIONS: MM	TOLERANCES UNLESS OTHERWISE SPECIFIED:	CIK	NAME	
0 PLC ±	1 PLC ±	APVD	0.8MM PITCH FAXMODEM SOCKET	
2 PLC ±	3 PLC ±	PRODUCT SPEC	124POSITIONS	
4 PLC ±	ANGLES ±	APPLICATION SPEC	5.2MM HEIGHT	
MATERIAL	FINISH	WEIGHT	SIZE: A3	CAGE CODE: 00779
			DRAWING NO: C=6565283	RESTRICTED TO
		CUSTOMER DRAWING	SCALE: 1:1	SHEET 4 OF 5

THIS DRAWING IS UNPUBLISHED. RELEASED FOR PUBLICATION
 COPYRIGHT BY TYCO ELECTRONICS CORPORATION. ALL RIGHTS RESERVED.

LOC		DIST		REVISIONS			
P	LTR	DESCRIPTION	DATE	DWN	APVD		
J				SEE SHEET 1			



- 4 TOLERANCES ON ALL DIMENSIONS ± 0.15 UNLESS OTHERWISE SPECIFIED.
- 5 CARD THICKNESS APPLIES ACROSS TABS AND INCLUDES PLATING AND/OR METALIZATION.
- 6 APPLICATION NOTE:
 GOLD CONTACT PAD: ELECTROLESS GOLD PLATING 0.0577m MIN.
 BORDER OF COMPONENT AREA.



SYMBOL	VARIATIONS ALL DIMENSIONS IN mm					
	NORMAL HEIGHT 44.45			NORMAL HEIGHT 50.80		
	AA			BA		
	MIN	NOM	MAX	MIN	NOM	MAX
A	44.30	44.45	44.60	50.65	50.80	50.95
A1	6.00 BSC			6.00 BSC		
A2	20.00 BSC			20.00 BSC		
D	59.45	59.60	59.75	59.45	59.60	59.75
D2	55.60 BSC			55.60 BSC		
D3	2.05 BSC			2.05 BSC		
D4	1.65 BSC			1.65 BSC		
D5	24.00 BSC			24.00 BSC		
e1	48.00 BSC			48.00 BSC		
N	124			124		

LEAD FREE

THIS DRAWING IS A CONTROLLED DOCUMENT.		DWN		Tyco Electronics AMP K.K.	
DIMENSIONS: MM		CIK		Kawasaki, Japan	
TOLERANCES UNLESS OTHERWISE SPECIFIED:		APVD		NAME	
0 PLC \pm		PRODUCT SPEC		0.8MM PITCH FAXMODEM SOCKET	
1 PLC \pm		APPLICATION SPEC		124 POSITIONS	
2 PLC \pm		WEIGHT		5.2MM HEIGHT	
3 PLC \pm		CUSTOMER DRAWING		SIZE: A3	
4 PLC \pm		SCALE: 1:1		CAGE CODE: 00779	
ANGLES \pm		SHEET: 5 OF 5		DRAWING NO: C-6565283	
MATERIAL		REV: 0		RESTRICTED TO	