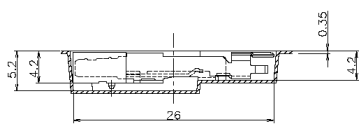
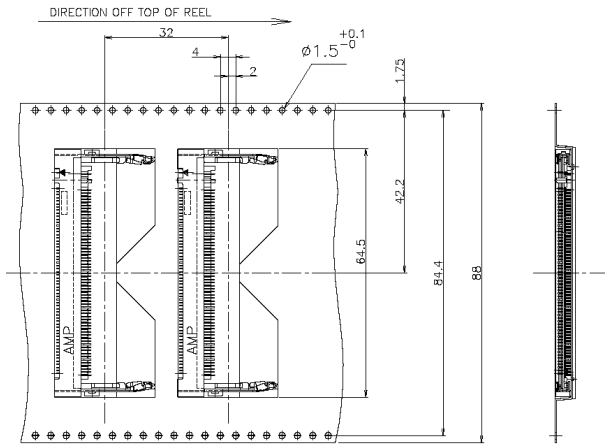


THIS DRAWING IS UNPUBLISHED. RELEASED FOR PUBLICATION  
 © COPYRIGHT 1998 BY TYCO ELECTRONICS CORPORATION. ALL RIGHTS RESERVED.

LDC		DIST		REVISIONS			
P	LTR	DESCRIPTION		DATE	DWN	APVD	
0		RELEASED	FJBO-1113-04	28SEP04	C.W	I.E	

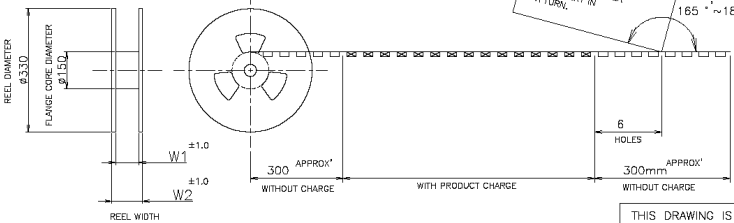


DETAIL A  
(SCALE 2:1)

LEAD FREE

SEE DETAIL A

WEEDING THE COVER TAPE AROUND THE OUTER PERIPHERY IN A TURN. PEELING ANGLE 165° ~ 180°



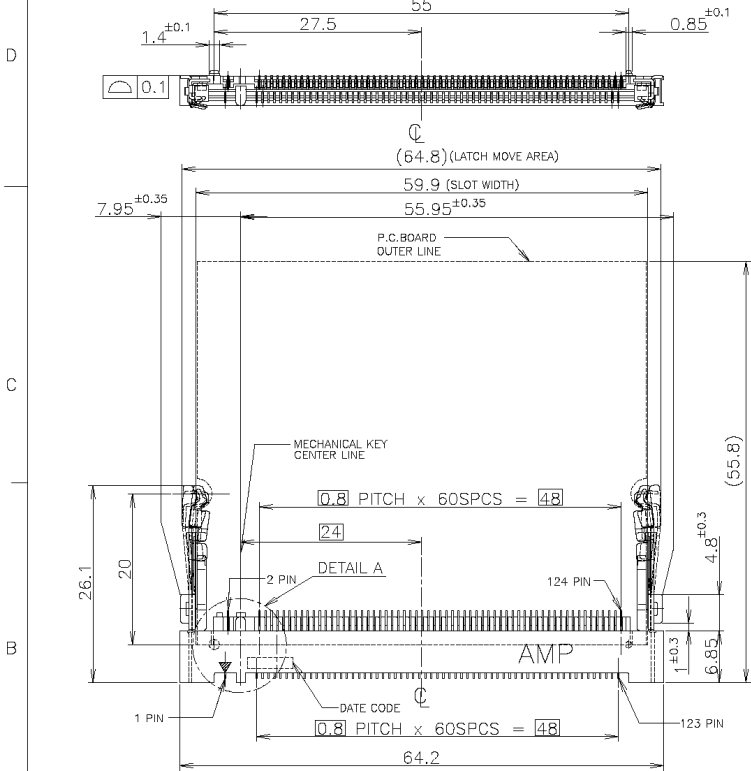
250	8-912076-7	6318644-1
QTY	EMBOSS P/N	PART No.

THIS DRAWING IS A CONTROLLED DOCUMENT.		DWN COREL WANG 28SEP04	<b>tyco</b> Electronics		Tyco Electronics AMP K.K. Kawasaki, Japan	
DIMENSIONS: MM		CHK STEVEN YAO 28SEP04	NAME IENOMOTO			
TOLERANCES UNLESS OTHERWISE SPECIFIED:		PRODUCT SPEC 108-10039		EMBOSS ASSY 0.8MM PITCH FAX MODEM SOCKET 124POSITIONS		
GENERAL TOLERANCE		APPLICATION SPEC		RESTRICTED TO		
10 ≥ : ±0.2		WEIGHT		SIZE		
30 ≥ > 10: ±0.25		-		CAGE CODE		
100 ≥ > 30: ±0.3		-		DRAWING NO		
ANGLES: ±3°		-		6318644		
MATERIAL		FINISH		CUSTOMER DRAWING		
-		-		SCALE 1:1		
				SHEET 1 OF 5		
				REV 0		

AMP 1470-19 REV 31MAR2000

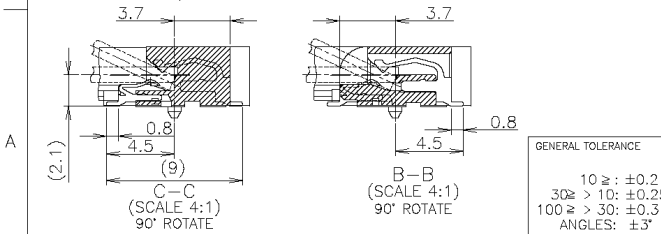
THIS DRAWING IS UNPUBLISHED. RELEASED FOR PUBLICATION - .1998.  
 © COPYRIGHT 1998 BY TYCO ELECTRONICS CORPORATION. ALL RIGHTS RESERVED.

LOC	DIST	REVISIONS			
P	LTR	DESCRIPTION	DATE	DWN	APVD
-	-	SEE SHEET 1	-	-	-



- 1 MATERIAL; HOUSING: HIGH TEMPERATURE THERMO PLASTIC UL94V-0  
 COLOR: BLACK.  
 CONTACT: PHOS-BRZ  
 LOCK LEVER: SUS TIN PLATING.
- 2 FINISH; CONTACT AREA: GOLD FLASH ON  
 0.0013 MIN ALL OVER NICKEL.  
 SOLDERING AREA: GOLD FLASH PLT.
- 3 TOLERANCES NONCUMULATIVE.

LEAD FREE



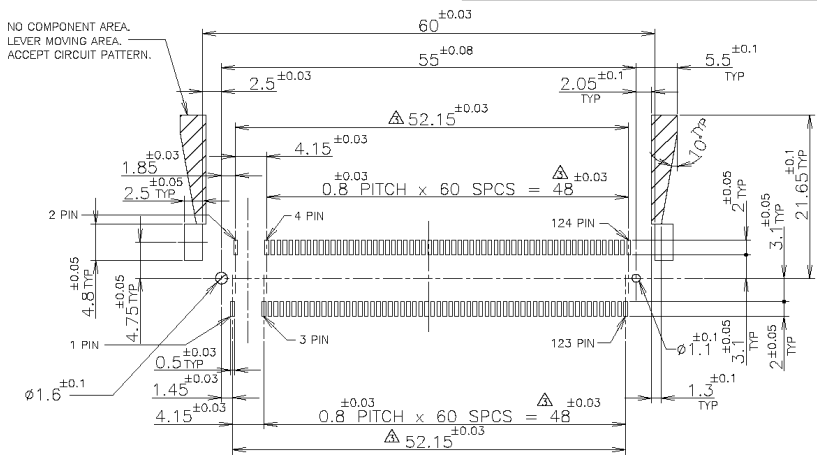
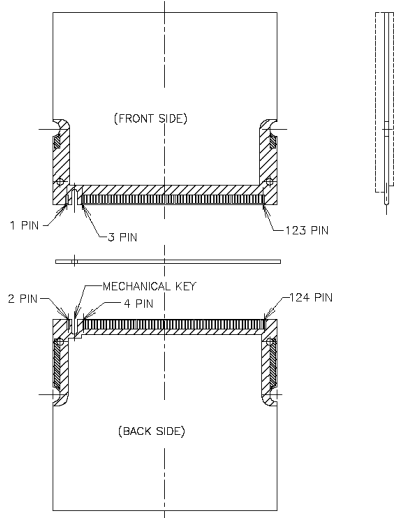
THIS DRAWING IS A CONTROLLED DOCUMENT.		DWN	tyco		Tyco Electronics AMP K.K.	
DIMENSIONS: MM		DIK	Electronics		Kawasaki, Japan	
TOLERANCES UNLESS OTHERWISE SPECIFIED:		APVD	NAME		EMBOSS ASSY 0.8MM PITCH	
0 PLC ±		PRODUCT SPEC		FAX MODEM SOCKET		INSTRUCTION SHEET 411-5882
1 PLC ±		APPLICATION SPEC		124 POSITIONS		
2 PLC ±		WEIGHT		A3 00779 C=6318644		
3 PLC ±		CUSTOMER DRAWING		SCALE 2:1 SHEET 2 OF 5 REV 0		
4 PLC ±						
ANGLES ±						
FINISH						
GENERAL TOLERANCE						
10 ≥ ±0.2						
30 ≥ > 10: ±0.25						
100 ≥ > 30: ±0.3						
ANGLES: ±3°						

AMP 1470-19 REV 31MAR2000

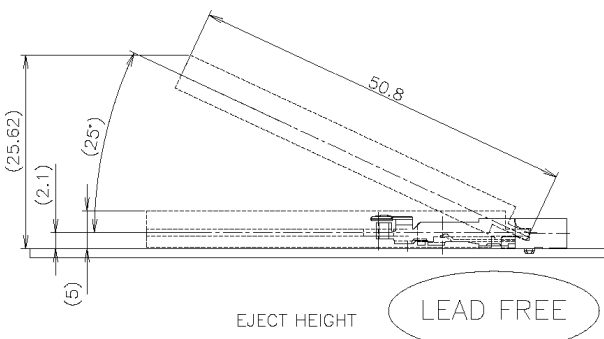
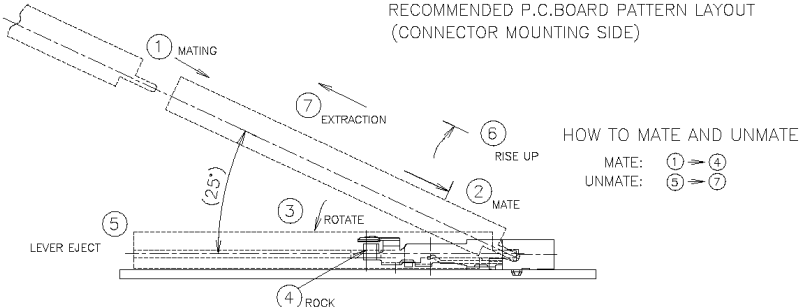
D:\WorkFile\Download\_File\B057709\1318228\C-6123992.dwg

THIS DRAWING IS UNPUBLISHED. RELEASED FOR PUBLICATION - .1995.  
 COPYRIGHT 1998 BY TYCO ELECTRONICS CORPORATION. ALL RIGHTS RESERVED.

LOC		DIST		REVISIONS			
P	LTR	DESCRIPTION		DATE	DN	APVD	
J		-		SEE SHEET 1	-	-	-

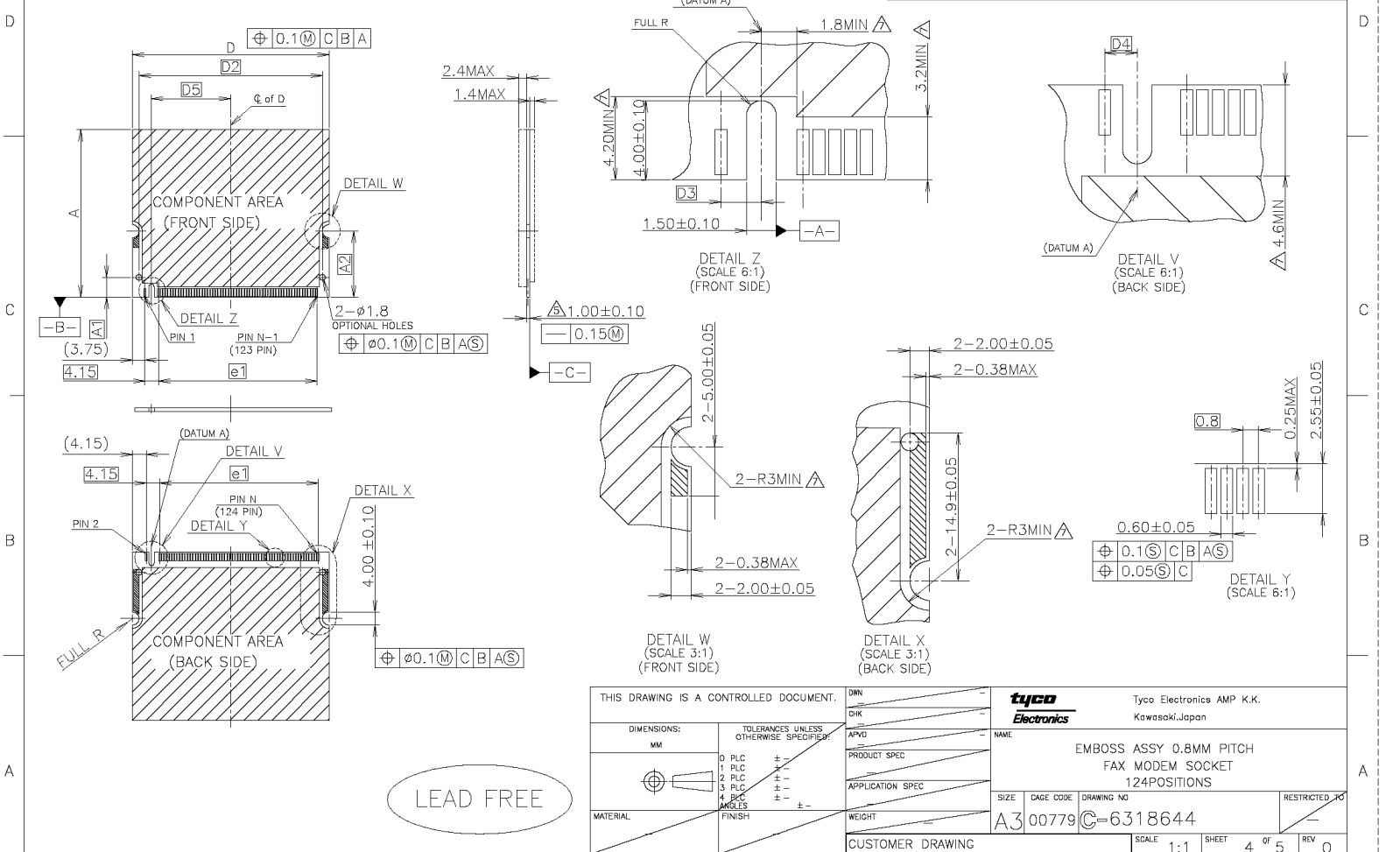


CIRCUIT POSITION OF S.O.DIMM (SCALE 1:1)



THIS DRAWING IS A CONTROLLED DOCUMENT.		DIN		Tyco Electronics AMP K.K.	
DIMENSIONS: MM		CIK		Kawasaki, Japan	
TOLERANCES UNLESS OTHERWISE SPECIFIED:		APVD		NAME	
0 PLC ±		PRODUCT SPEC		EMBOSS ASSY 0.8MM PITCH FAX MODEM SOCKET 124POSITIONS	
1 PLC ±		APPLICATION SPEC		SIZE CAGE CODE DRAWING NO	
2 PLC ±		WEIGHT		A3 00779 C-6318644	
3 PLC ±		CUSTOMER DRAWING		SCALE 2:1 SHEET 3 OF 5 REV 0	
4 PLC ±				RESTRICTED TO	
ANGLES ±					
MATERIAL					
FINISH					

AMP 1470-19 REV 31MAR2000

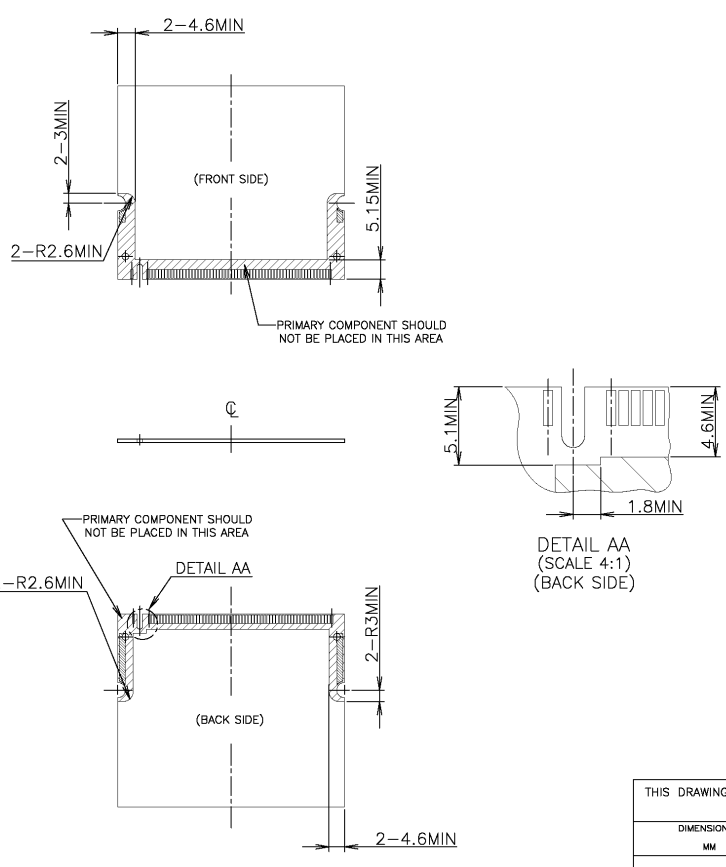


LEAD FREE

THIS DRAWING IS A CONTROLLED DOCUMENT.		DWN	tyco Electronics		Tyco Electronics AMP K.K. Kawasaki, Japan
DIMENSIONS: MM		DIK	NAME		
TOLERANCES UNLESS OTHERWISE SPECIFIED:		APVD	EMBOSS ASSY 0.8MM PITCH FAX MODEM SOCKET 124POSITIONS		
0 PLC ±		PRODUCT SPEC	SIZE	PAGE CODE	DRAWING NO
1 PLC ±		APPLICATION SPEC	A3	00779	C=6318644
2 PLC ±		WEIGHT	RESTRICTED		
3 PLC ±		CUSTOMER DRAWING	SCALE	SHEET	REV
4 PLC ±			1:1	4 of 5	0
FINISH					

THIS DRAWING IS UNPUBLISHED. RELEASED FOR PUBLICATION  
 © COPYRIGHT 1998 BY TYCO ELECTRONICS CORPORATION. ALL RIGHTS RESERVED.

LOC	DIST	REVISIONS					
J	-	P	LTR	DESCRIPTION	DATE	DWN	APVD
				SEE SHEET 1			



- 4 TOLERANCES ON ALL DIMENSIONS  $\pm 0.15$  UNLESS OTHERWISE SPECIFIED.
- 5 CARD THICKNESS APPLIES ACROSS TABS AND INCLUDES PLATING AND/OR METALIZATION.
- 6 APPLICATION NOTE:  
 GOLD CONTACT PAD : ELECTROLESS GOLD PLATING 0.00005 MIN.  
 OVER ELECTROLESS Ni PLATING 0.002 MIN.  
 BORDER OF COMPONENT AREA.

SYMBOL	VARIATIONS ALL DIMENSIONS IN mm					
	NORMAL HEIGHT 44.45			NORMAL HEIGHT 50.80		
	AA			BA		
	MIN	NOM	MAX	MIN	NOM	MAX
A	44.3	44.45	44.60	50.65	50.80	50.95
A1	6.00	BSC		6.00	BSC	
A2	20.00	BSC		20.00	BSC	
D	59.45	59.6	59.75	59.45	59.6	59.75
-D1	1.30	BSC		1.30	BSC	
D2	55.60	BSC		55.60	BSC	
D3	2.05	BSC		2.05	BSC	
D4	1.65	BSC		1.65	BSC	
D5	24.00	BSC		24.00	BSC	
e1	48.00	BSC		48.00	BSC	
N		124			124	

LEAD FREE

THIS DRAWING IS A CONTROLLED DOCUMENT.		DWN	Tyco Electronics AMP K.K.	
DIMENSIONS: MM		CHK	Kawasaki, Japan	
TOLERANCES UNLESS OTHERWISE SPECIFIED:		APVD	NAME	
0 PLC	±	PRODUCT SPEC	EMBOSS ASSY 0.8MM PITCH	
1 PLC	±	APPLICATION SPEC	FAX MODEM SOCKET	
2 PLC	±	WEIGHT	SIZE	CAGE CODE
3 PLC	±	CUSTOMER DRAWING	A3	00779
4 R/C ANGLES	±		DRAWING NO	C=6318644
FINISH			SCALE	1:1
			SHEET	5 OF 5
			REV	0