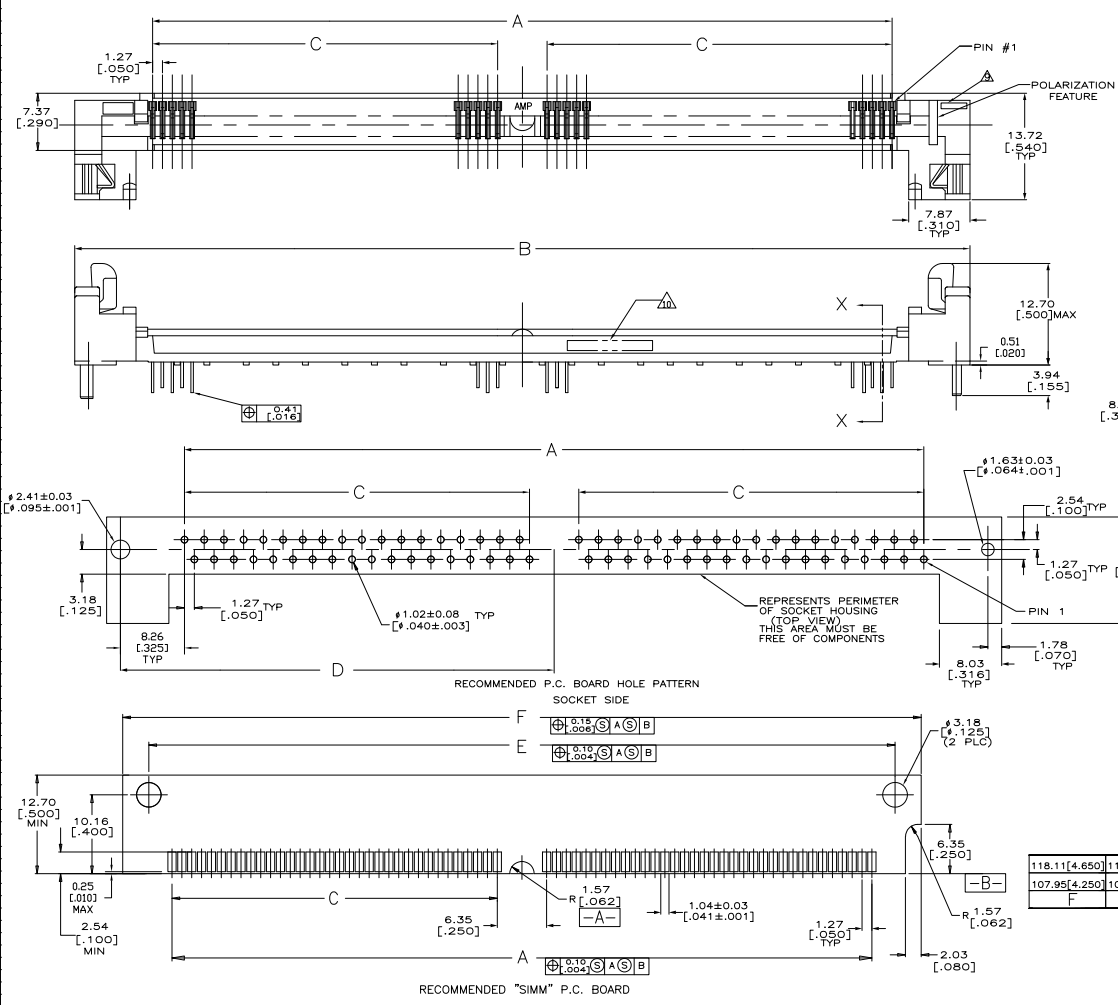
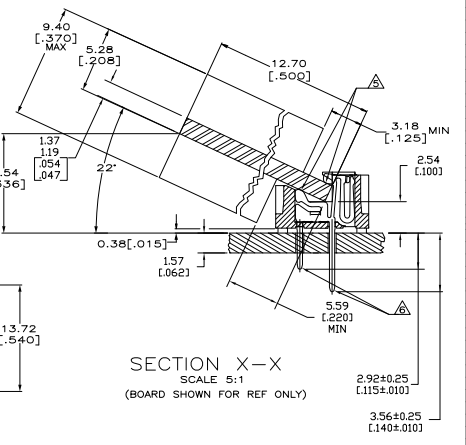


REV	DATE	DESCRIPTION	BY	CHK
AC 00				
B		REVISED PER ECO-06-027841		



- △ HOUSING-MATERIAL : LIQUID-CRYSTAL-POLYMER.
- △ CONTACT-MATERIAL : PHOS. BRONZE.
- △ LATCH-MATERIAL : STAINLESS STEEL.
- △ CONTACT-PLATE 0.00127 [.000050] MIN NICKEL ALL OVER.
- △ CONTACT-PLATE 0.00076[.000030] MIN. GOLD AT CONTACT PTS.
- △ CONTACT SOLDERTAILS-PLATE 0.00508[.000200] MIN MATTE TIN.
- 7. IN ADDITION TO THOSE RECOMMENDED "SIMM" P.C. BOARD DIMENSIONS AND TOLERANCES SHOWN, ALL JEDEC SPECIFICATIONS APPLY AS SHOWN ON MO-116, ISSUE A.
- 8. RECOMMENDED MATING S.I.M.M. TAB METALLURGY: BASE METAL-COPPER, PLATING TO BE 0.00076[.000030] MIN GOLD OVER 0.00127[.000050] MIN NICKEL.
- △ 'S' IDENTIFIER LOCATED APPROXIMATELY AS SHOWN.
- △ DATE CODE INFORMATION (YEAR WEEK), LOCATED APPROXIMATELY AS SHOWN ON OPPOSITE SIDE ONLY.



118.11[4.650]	111.35[4.384]	60.96[2.400]	49.53[1.950]	125.48[4.940]	105.41[4.150]	80	5822138-4
107.95[4.250]	101.19[3.984]	55.88[2.200]	44.45[1.750]	115.32[4.540]	95.25[3.750]	72	5822138-3
F	E	D	C	B	A	NO. OF PINS	PART NO

THIS DRAWING IS A CONTROLLED DOCUMENT
 DIMENSIONS IN INCHES
 THIS DRAWING IS A CONTROLLED DOCUMENT
 DIMENSIONS IN MILLIMETERS
 CUSTOMER DRAWING
 TDS ELECTRONICS CORPORATION
 HARRISBURG, PA 17105-3608
 CONNECTOR, MICRO-EDGE, .050, LP, GOLD PL. W/METAL LATCH
 SIZE DATE SIZE DRAWING NO. 41 00779 G=5822138
 SHEET 4-1