

4

3

2

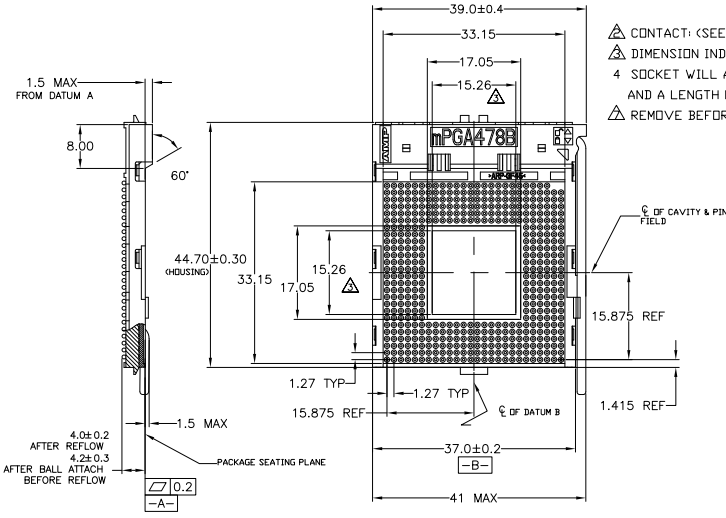
1

THIS DRAWING IS UNPUBLISHED.
 RELEASED FOR PUBLICATION 2011, 2011.
 ALL RIGHTS RESERVED.

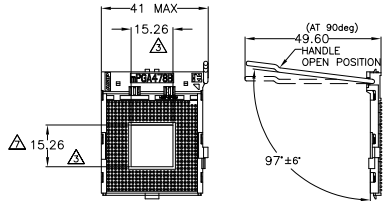
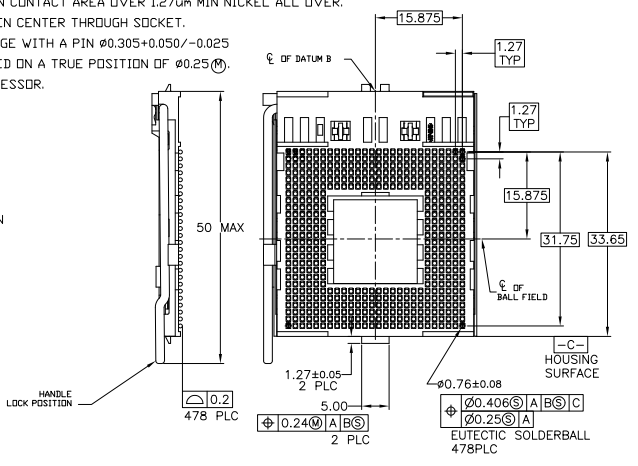
REV	DESCRIPTION	DATE	BY	APP'D
1	REVISED ECR-11-016547	12Aug2011	M.L.C.W	

- △ COVER NATURAL COLOR, HOUSING BLACK, BOTH POLYESTER, UL94V-0;
CONTACT: COPPER ALLOY; HANDLE: STAINLESS STEEL;
PICK AND PLACE COVER: SYNDIOTACTIC POLYSTYRENE, BLACK, UL94V-0

- △ CONTACT: (SEE TABLE) MIN GOLD IN CONTACT AREA OVER 1.27um MIN NICKEL ALL OVER.
- △ DIMENSION INDICATES MINIMUM OPEN CENTER THROUGH SOCKET.
- 4 SOCKET WILL ACCEPT P.G.A. PACKAGE WITH A PIN $\phi 0.305 \pm 0.050 / -0.025$ AND A LENGTH OF 2.03 ± 0.08 LOCATED ON A TRUE POSITION OF $\phi 0.25$ (M).
- △ REMOVE BEFORE INSTALLING PROCESSOR.



SHOWN IN ACTIVATED (LOCK) POSITION
 PICK AND PLACE (SEE TABLE) OMITTED FOR CLARITY
 SEE PICK AND PLACE DETAILS FOR GEOMETRY
 (FINAL SHIPPING CONDITION)



SHOWN IN NON-ACTIVATED(FREE) POSITION
 SCALE 1:1

108-1987	ACTIVE	COVER	JEDEC TRAY	0.38um	1747947-2
108-1987	ACTIVE	COVER	JEDEC TRAY	0.38um	1747947-1
PRODUCT SPEC	STATUS	PICK AND PLACE TYPE SEE SHEET 2	PACKAGING TYPE	GOLD THICKNESS	PART NO.

THIS DRAWING IS A CONTROLLED DOCUMENT		DATE	12Aug2011
DESIGNED BY	Murray, Lu	DATE	12Aug2011
APPROVED BY	Simon, Li	DATE	12Aug2011
NAME	Cross, Wang	DATE	12Aug2011
PRODUCT SPEC	TABLE	APPLICATION SPEC	14-13034
REVISION		SIZE	A2
MATERIAL		QTY	00779
FINISH		DRAWING NO.	1747947
		SCALE	2:1
		SHEET	1 of 4
		REV	B

4

3

2

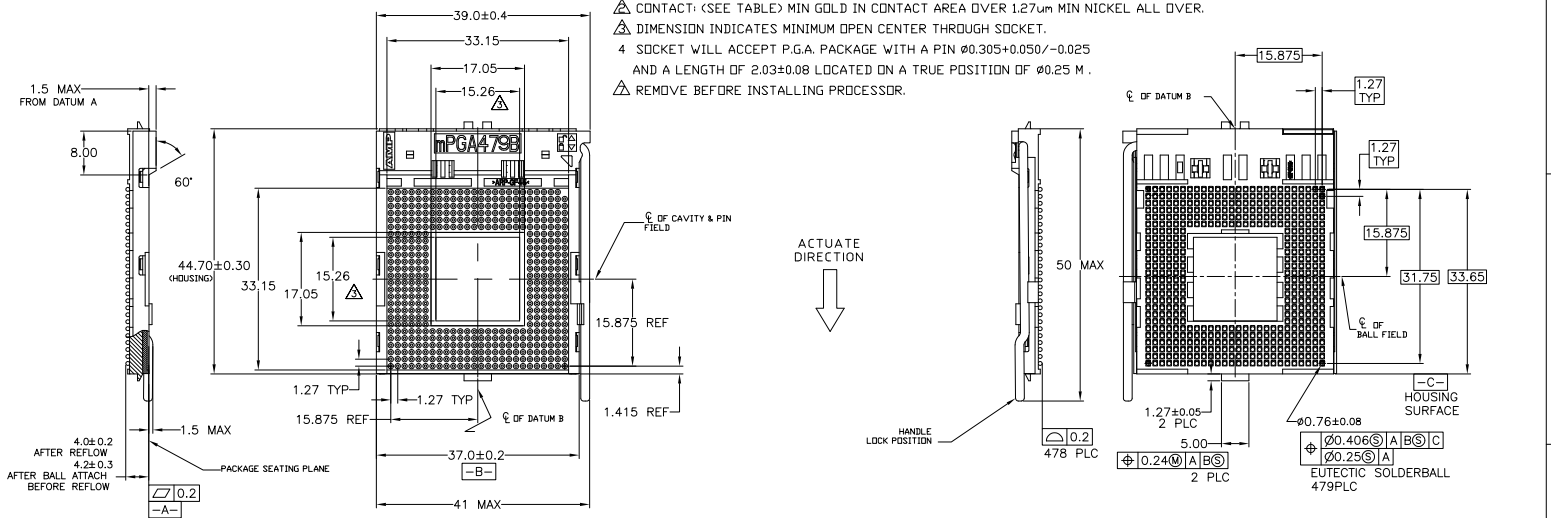
1

THIS DRAWING IS UNPUBLISHED.
 © Copyright 2011 By -
 RELEASED FOR PUBLICATION 2011, 2011.
 ALL RIGHTS RESERVED.

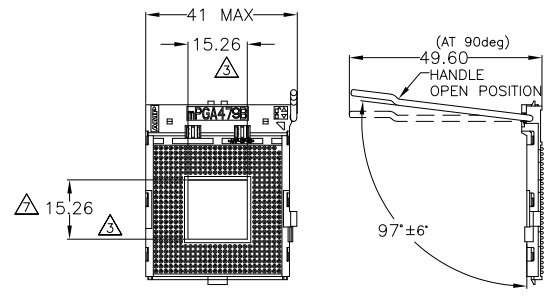
LOC	DIST	REV	DESCRIPTION	DATE	BY	APPD
ES	-	P	LIR	-	-	-
-	-	-	SEE SHEET 1	-	-	-

△ COVER NATURAL COLOR, HOUSING BLACK, BOTH POLYESTER, UL94V-0;
 CONTACT: COPPER ALLOY; HANDLE: STAINLESS STEEL;
 PICK AND PLACE COVER: SYNDIOTACTIC POLYSTYRENE, BLACK, UL94V-0

△ CONTACT: (SEE TABLE) MIN GOLD IN CONTACT AREA OVER 1.27µm MIN NICKEL ALL OVER.
 △ DIMENSION INDICATES MINIMUM OPEN CENTER THROUGH SOCKET.
 4 SOCKET WILL ACCEPT P.G.A. PACKAGE WITH A PIN Ø0.305±0.050/-0.025 AND A LENGTH OF 2.03±0.08 LOCATED ON A TRUE POSITION OF Ø0.25 M.
 △ REMOVE BEFORE INSTALLING PROCESSOR.



SHOWN IN ACTIVATED (LOCK) POSITION
 PICK AND PLACE (SEE TABLE) OMITTED FOR CLARITY
 SEE PICK AND PLACE DETAILS FOR GEOMETRY
 (FINAL SHIPPING CONDITION)



THIS DRAWING IS A CONTROLLED DOCUMENT		DWG		TE Connectivity	
DIMENSIONS 單位:mm		TOLERANCES UNLESS OTHERWISE SPECIFIED: — 單位:mm		NAME 姓名	
0 PLC ±0.15		1 PLC ±0.10		PRODUCT SPEC 規格書	
2 PLC ±0.075		3 PLC ±0.05		APPLICATION SPEC 應用規格	
4 PLC ±0.025		FINISH 註		SIZE 圖號	
MATERIAL 材料		WEIGHT 重量		DRAWING NO. 圖號	
				A200779 C-1747947	
				RESTRICTED TO 限制	
				SCALE 比例	
				2:1	
				SHEET 張數	
				2 of 4	
				REV 版本	
				B	

4

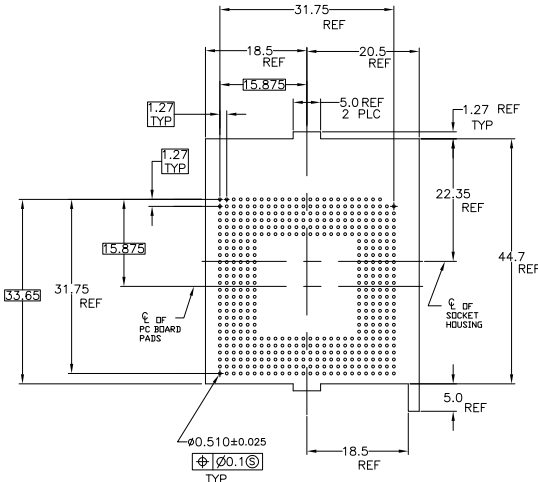
3

2

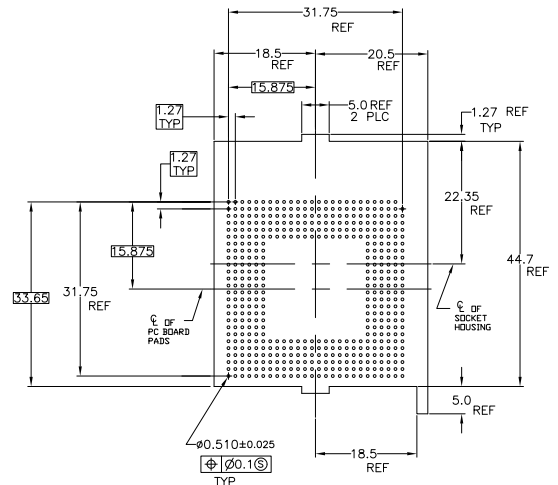
1

THIS DRAWING IS UNPUBLISHED. RELEASED FOR PUBLICATION 2011, 2011. ALL RIGHTS RESERVED. © copyright 2011 By -

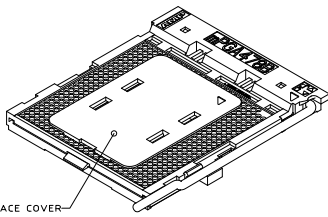
LOC	DIST	REV	DESCRIPTION	DATE	BY	APPD
ES	-	-	SEE SHEET 1	-	-	-



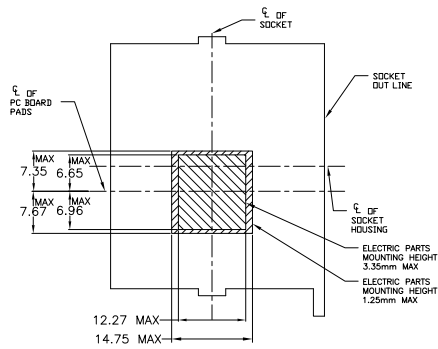
RECOMMENDED PC BOARD LAYOUT FOR 478B



RECOMMENDED PC BOARD LAYOUT FOR 479B



PICK AND PLACE COVER DETAIL



PICK AND PLACE COVER TYPE KEEP OUT ZONE

THIS DRAWING IS A CONTROLLED DOCUMENT		DWG		TE Connectivity	
DIMENSIONS: MILLIMETER		APPROVED		NAME	
TOLERANCES UNLESS OTHERWISE SPECIFIED:		PRODUCT SPEC		SOCKET ASSEMBLY, mPGA47* SURFACE MOUNT, ZIF, 4mm	
0 PLC ± 0.13		APPLICATION SPEC		SIZE QAGE CODE DRAWING NO	
1 PLC ± 0.13		REVISIONS		A2 00779 C-1747947	
2 PLC ± 0.13		WEIGHT		RESTRICTED TO	
3 PLC ± 0.13		CUSTOMER DRAWING		SCALE 2:1 SHEET 3 of 4 REV B	
4 PLC ± 0.13					
ANGLES ± 0.5°					
FINISH 0.1					
MATERIAL					
FINISH					

4

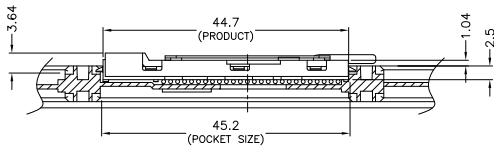
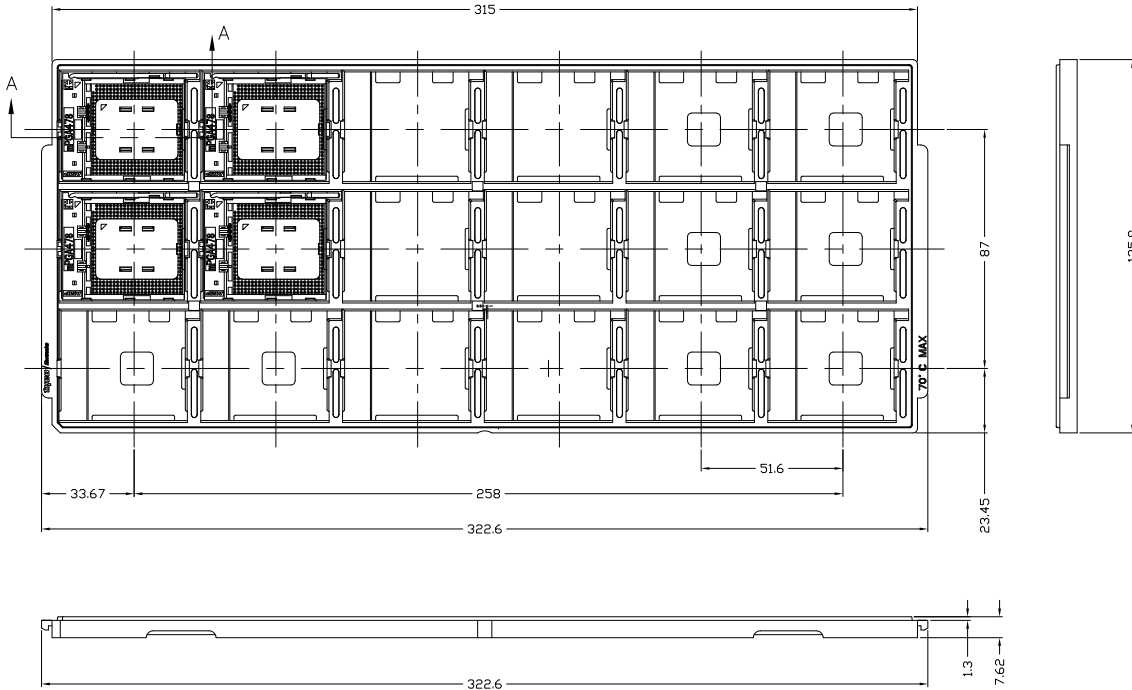
3

2

1

THIS DRAWING IS UNPUBLISHED. RELEASED FOR PUBLICATION 2011.2011. ALL RIGHTS RESERVED. © COPYRIGHT 2011 By -

LOC	DIST	REVISIONS	DATE	BY	APPD
ES	-	F LWR			
		SEE SHEET 1			



SECT A-A
SCALE 2:1
JEDEC TRAY PACKAGE DIMENSION

TRAY MATERIAL: PS

THIS DRAWING IS A CONTROLLED DOCUMENT.		DNW	TE Connectivity	
DIMENSIONS: ALL IN MM		CHK	SOCKET ASSEMBLY, mPGA47*B SURFACE MOUNT, ZIF, 4mm	
TOLERANCES UNLESS OTHERWISE SPECIFIED:		APVD	SIZE: A2	
0 P.L.C.	± 0.5	PRODUCT SPEC	CAGE CODE	DRAWING NO.
1 P.L.C.	± 0.5	APPLICATION SPEC	00779	1747947
2 P.L.C.	± 0.5	RESTRICTIONS	RESTRICTED TO	
3 P.L.C.	± 0.5	WEIGHT	CUSTOMER DRAWING	
4 P.L.C.	± 0.5	FINISH	SCALE	1:1
ANGLES	± 0.5	SHEET 4 of 4		
MATERIAL: PS		REV B		