

4

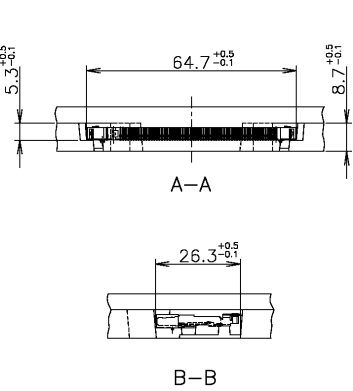
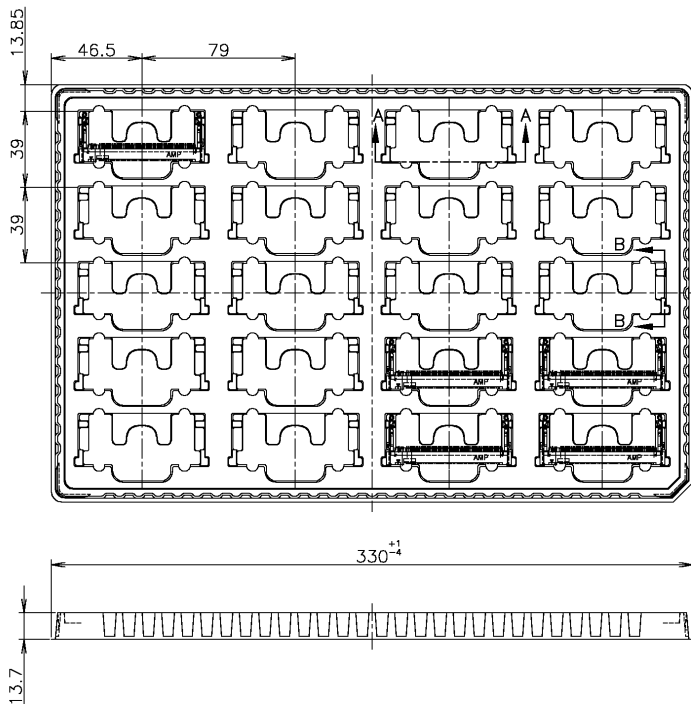
3

2

1

THIS DRAWING IS UNPUBLISHED. RELEASED FOR PUBLICATION ,2000.  
 © COPYRIGHT 2000 BY TYCO ELECTRONICS CORPORATION. ALL RIGHTS RESERVED.

LOC	DIST	REVISIONS					
J		P	LTR	DESCRIPTION	DATE	DWN	APVD
		A	REVISED	FJB0-0450-03	26MAR04	K.K	Y.Y



1. コネクタ搭載方向は図示の通りであること。
  2. 梱包仕様書 107-5195-1を参照のこと。
  3. 一般公差 ±0.5
1. THE DIRECTION OF EACH CONNECTOR ON A TRAY IS REFERRED TO THIS DWG.
  2. REFERENCE TO PACKING SPEC 107-5195-1
  3. GENERAL TOLERANCES ±0.5

鉛フリー  
LEAD FREE

INSTRUCTION SHEET 指示書番号		411-5882	20EA/TRAY	6-912074-1	1376730-1	1376727-1
			QTY	TRAY P/N	CONNECTOR P/N	P/N
THIS DRAWING IS A CONTROLLED DOCUMENT.		DWN K.KOBAYASHI	Tyco Electronics AMP K.K. Kawasaki, Japan			
DIMENSIONS: 単位: 概 MM		CHK H.SHIRAI	NAME 名称			
TOLERANCES UNLESS OTHERWISE SPECIFIED: 一般公差		APVD H.SHIRAI	PRODUCT SPEC 製品規格			
0 PLC ±		05OCT00	108-5627			
1 PLC ±		05OCT00	APPLICATION SPEC 取付適用規格			
2 PLC ±			SIZE			
3 PLC ±			CAGE CODE			
4 PLC ±			DRAWING NO 番号			
RCC ±			1376727			
ANGLES ±			RESTRICTED			
FINISH 仕上			A3			
MATERIAL 材料			00779			
			SCALE 尺度			
			NTS			
			SHEET 1 OF 1			
			REV A			