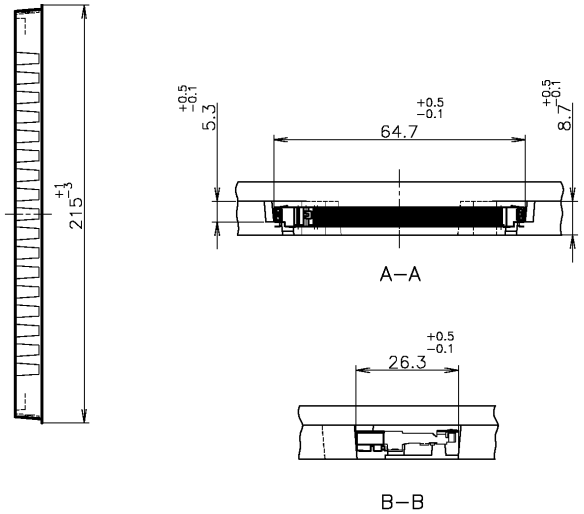
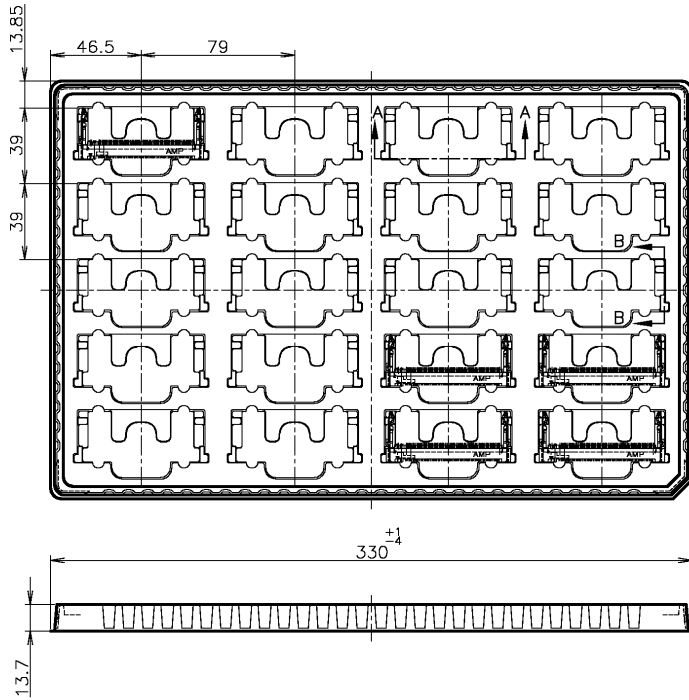


4 3 2 1

THIS DRAWING IS UNPUBLISHED. RELEASED FOR PUBLICATION
 © COPYRIGHT BY TYCO ELECTRONICS CORPORATION. ALL RIGHTS RESERVED.

LOC	DIST	REVISIONS					
J		P	LTR	DESCRIPTION	DATE	DWN	APVD
		A	REVISED	FJB0-0450-03	26MAR04	K.K	Y.Y



1. コネクタ搭載方向は図示の通りであること。
2. 梱包仕様書 107-5195-1を参照のこと。
3. トレイ板厚 : 1mm
4. 一般公差 ±0.5

1. THE DIRECTION OF EACH CONNECTOR ON A TRAY IS REFERRED TO THIS DWG.
2. REFER TO PACKING SPEC 107-5195-1
3. TRAY THICKNESS : 1mm
4. GENERAL TOLERANCES ±0.5

鉛フリー
LEAD FREE

20EA/TRAY	7-912077-3	1565255-1	1565254-1
QTY	TRAY P/N	CONNECTOR P/N	P/N

THIS DRAWING IS A CONTROLLED DOCUMENT.		DWN K. KOBAYASHI 26JUL01	Tyco Electronics AMP K.K. Kawasaki, Japan	
DIMENSIONS: 単位: 概 MM	TOLERANCES UNLESS OTHERWISE SPECIFIED: 数公差	CHK H. SHIRAI 28JUL01	NAME 名称 SEMI-HARD TRAY ASSY	
	0 PLC ±	APVD H. SHIRAI 28JUL01	PRODUCT SPEC 製品規格 108-5627	
	1 PLC ±	PRODUCT SPEC 製品規格 108-5627	APPLICATION SPEC 取付適用規格	
MATERIAL 材料	FINISH 仕上	WEIGHT	SIZE A3	CAGE CODE 00779
CUSTOMER DRAWING			DRAWING NO. 番号 1565254	RESTRICTED 制限
			SCALE 尺度 NTS	SHEET 1 OF 1 REV A

AMP 1470-19 REV 31MAR2000