

4

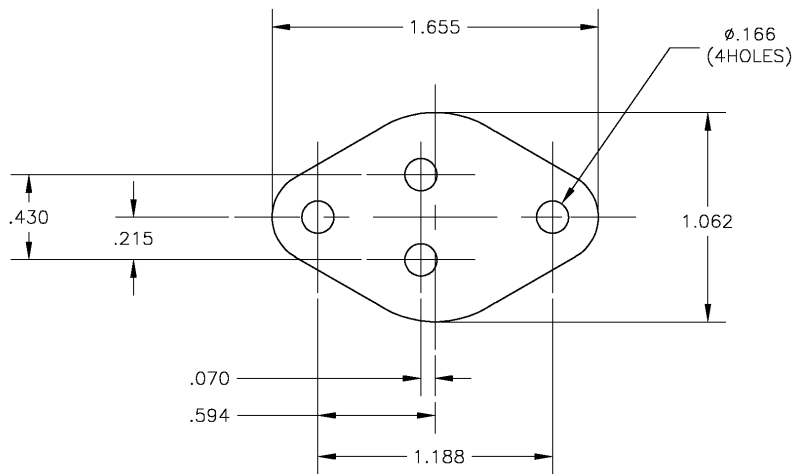
3

2

1

THIS DRAWING IS UNPUBLISHED. RELEASED FOR PUBLICATION  
 © COPYRIGHT - BY TYCO ELECTRONICS CORPORATION. ALL RIGHTS RESERVED.

| LOC | DIST | REVISIONS       |      |     |      |  |
|-----|------|-----------------|------|-----|------|--|
| P   | LTR  | DESCRIPTION     | DATE | DWN | APVD |  |
| AD  | 00   |                 |      |     |      |  |
| 0   |      | EC 0G3C-0318-04 | -    | BSV | -    |  |



TYCO P/N 1437504-1 = AUGAT P/N 8038-3PI

|  |              |                  |          |                         |                              |              |
|--|--------------|------------------|----------|-------------------------|------------------------------|--------------|
| THIS DRAWING IS A CONTROLLED DOCUMENT. |              | DWN              | 15.JUL04 | <b>Tyco Electronics</b> | Tyco Electronics Corporation |              |
| DIMENSIONS: INCHES                     |              | CHK              | -        |                         | Harrisburg, Pa 17105-3808    |              |
| TOLERANCES UNLESS OTHERWISE SPECIFIED: |              | APVD             | -        | NAME                    | INSULATOR                    |              |
| 0 PLC ± -                              |              | PRODUCT SPEC     | -        | SIZE                    | CAGE CODE                    | DRAWING NO   |
| 1 PLC ± -                              |              | APPLICATION SPEC | -        | A3                      | 00779                        | 1437504-1    |
| 2 PLC ± -                              |              | WEIGHT           | -        | RESTRICTED TO           |                              |              |
| 3 PLC ± .005                           |              | CUSTOMER DRAWING | -        | SCALE                   | 2:1                          | SHEET 1 OF 1 |
| 4 PLC ± -                              |              |                  |          | REV                     | 0                            |              |
| ANGLES ± 1°                            |              |                  |          |                         |                              |              |
| MATERIAL                               | NATURAL MICA | FINISH           | NONE     |                         |                              |              |

AMP 1470-19 REV 31MAR2000