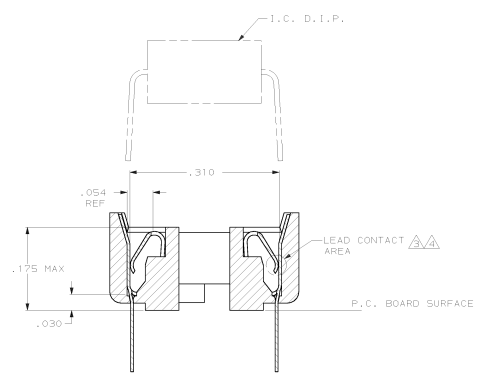
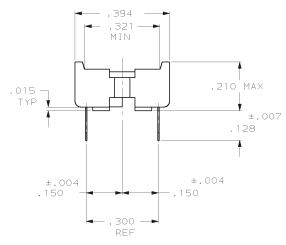
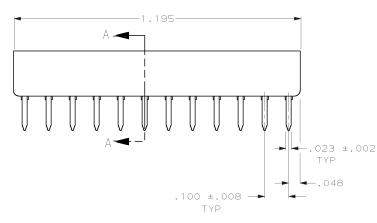
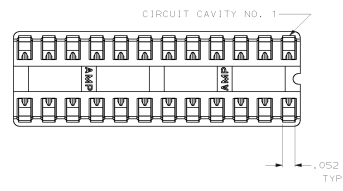
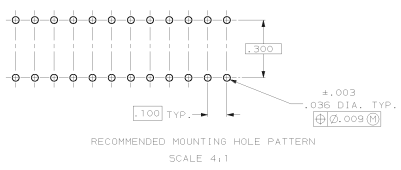


DRAWING MADE IN THIRD ANGLE PROJECTION
 THIS DRAWING IS UNPUBLISHED. RELEASED FOR PUBLICATION
 © COPYRIGHT 19 BY AMP INCORPORATED, HARRISBURG, PA. ALL INTERNATIONAL RIGHTS RESERVED. AMP PRODUCTS MAY BE COVERED BY U.S. AND FOREIGN PATENTS AND/OR PATENTS PENDING.

REVOLUTIONS		DATE	APPRO
AD	0	Y	PER
DESCRIPTION		053C-0104-01	2000
LOC	DIFF		
P	F		
ZONE	LTR		



- RECEPTACLE ACCEPTS A .008-.014 THICK I.C. LEAD.
- TUBE LOADED FOR AUTOMATIC INSERTION.
- TWO .000030 MIN THK. GOLD STRIPES IN CONTACT AREA WITH TIN-LEAD (93/7) ON CONTACT LEGS, BALANCE OF CONTACT NICKEL PLATED.
- TWO .000015 MIN THK. GOLD STRIPES IN CONTACT AREA WITH TIN-LEAD (93/7) ON CONTACT LEGS, BALANCE OF CONTACT NICKEL PLATED.
- SPECIAL PACKAGING.



SUPSD BY	REVISION	DESCRIPTION	DATE	APPRO
390261-B	1	TINNED		
390261-B	2	OBSELETE		
390261-B	3	TINNED		
390261-B	4	TINNED		
390261-B	5	TINNED		

CONTACT FINISH	CONTACT MAT'L	HOUSING MATERIAL	PART NO.
TINNED	REF. CV. .006 THK	GLASS-FILLED THERMOPLASTIC, 94V-0, BLACK	5-641932-1
OBSELETE	PHOS. BRZ. .006 THK	GLASS-FILLED THERMOPLASTIC, 94V-0, BLACK	2-641932-5
TINNED	PHOS. BRZ. .006 THK	GLASS-FILLED THERMOPLASTIC, 94V-0, BLACK	2-641932-4
TINNED	REF. CV. .006 THK	GLASS-FILLED THERMOPLASTIC, 94V-0, BLACK	2-641932-3
TINNED	PHOS. BRZ. .006 THK	GLASS-FILLED THERMOPLASTIC, 94V-0, BLACK	2-641932-2
TINNED	REF. CV. .006 THK	GLASS-FILLED THERMOPLASTIC, 94V-0, BLACK	2-641932-1

DR	CHK	APPD	DATE
8-7-87	8-31-87	9-4-87	9-4-87
M. EVANS	R. MILLER	J. GRAY	
MATERIAL: SEE TABLE			
FINISH: SEE TABLE			
WEIGHT: 114-1043			

AMP	AMP INCORPORATED
HARRISBURG, PA. 17105	
NAME: SOCKET ASSY, DIP, LADDER, 24 POS, DIPLOMATE DL	
SIZE: D	PSCH NO: 00779
SCALE: 5:1	DRAWING NO: 641932
	SHEET 1 OF 1