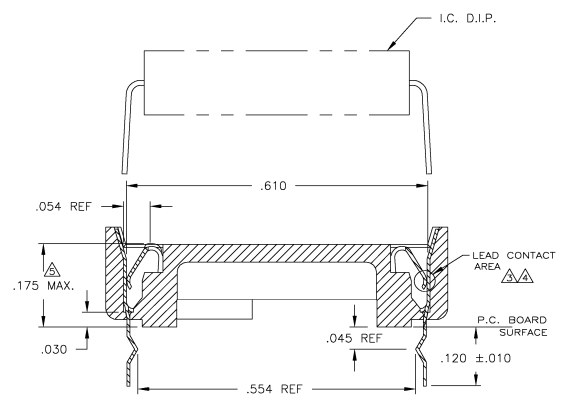
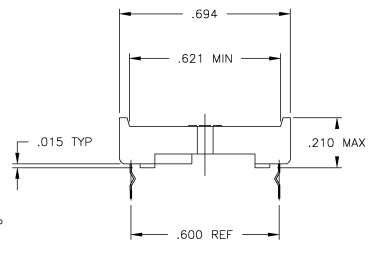
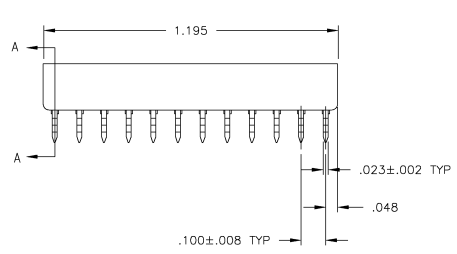
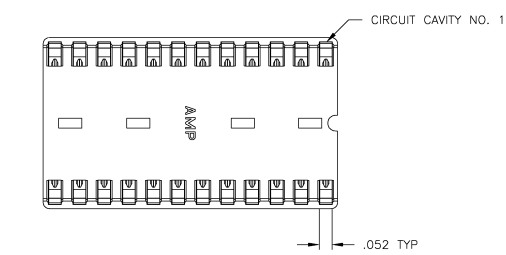
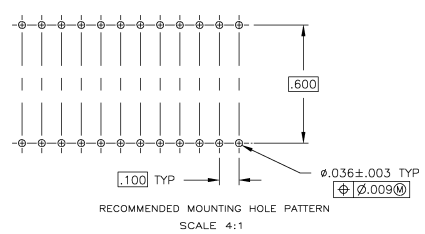


REV	DATE	DESCRIPTION	BY	CHK	APP
FT	64				
R		REV PER 023C-0162-99	17M090	RB	HW

- RECEPTACLE ACCEPTS A .008-.014 THICK I.C. LEAD.
- TUBE LOADED.
- TWO .000030 MIN THK. GOLD STRIPES IN CONTACT AREA WITH TIN-LEAD (93/7) ON CONTACT LEGS, BALANCE OF CONTACT NICKEL PLATED.
- TWO .000015 MIN THK. GOLD STRIPES IN CONTACT AREA WITH TIN-LEAD (93/7) ON CONTACT LEGS, BALANCE OF CONTACT NICKEL PLATED.
- MAXIMUM DIMENSION FOR I.C. SEATING PLANE.



SECTION A-A  
SCALE 10:1



CONTACT FINISH	CONTACT MAT'L	HOUSING MATERIAL	PART NO.
TINNED	PHOS.BRZ. .008 THK	GLASS-FILLED THERMOPLASTIC, 94V-O, BLACK	2-641266-4
TINNED	PHOS.BRZ. .008 THK	GLASS-FILLED THERMOPLASTIC, 94V-O, BLACK	2-641266-3
TINNED	PHOS.BRZ. .008 THK	GLASS-FILLED THERMOPLASTIC, 94V-O, BLACK	2-641266-2
TINNED	PHOS.BRZ. .008 THK	GLASS-FILLED THERMOPLASTIC, 94V-O, BLACK	2-641266-1

THIS DRAWING IS A CONTROLLED DOCUMENT.		REV. SHEET	ISSUED	<b>AMP</b> Tyco Electronics Corporation Harrisburg, PA 17105
ENCLOSURE	ASSEMBLY SHEETS	REV. SHEET	ISSUED	
HOLES	DRILLING	REV. SHEET	ISSUED	SOCKET ASSY, DIP, RET LEG, 24 POS, DIPLOMATE™ DL
PLATE	DRILLING	REV. SHEET	ISSUED	
PLATE	DRILLING	REV. SHEET	ISSUED	REVISION NO. 114-1049 A1 00779 G=641266
PLATE	DRILLING	REV. SHEET	ISSUED	
PLATE	DRILLING	REV. SHEET	ISSUED	REVISION NO. 114-1049 A1 00779 G=641266
PLATE	DRILLING	REV. SHEET	ISSUED	CUSTOMER DRAWING