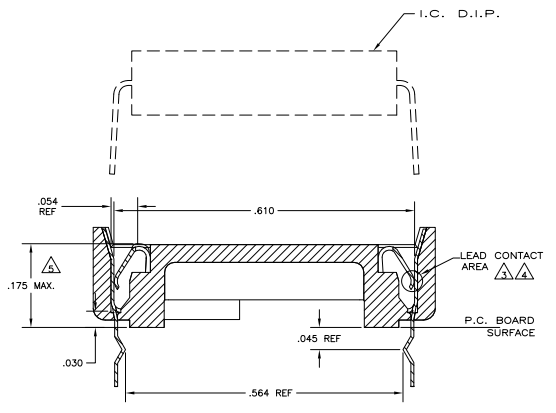
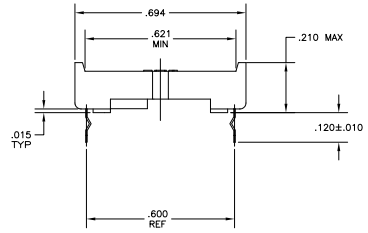
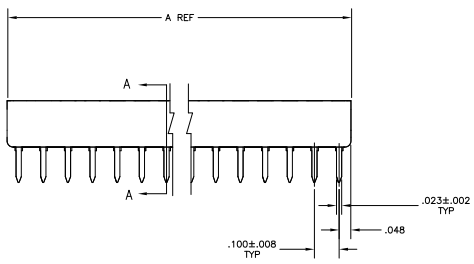
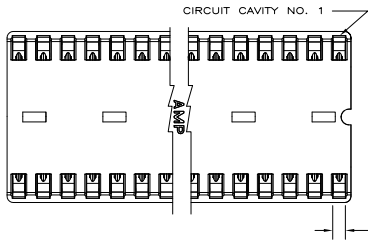


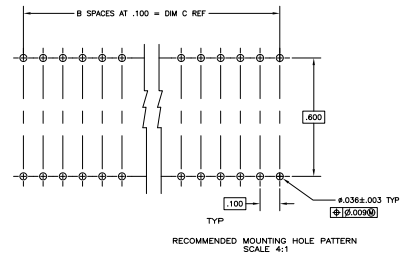
THIS DRAWING IS UNPUBLISHED
 ALL RIGHTS RESERVED
 © 1985 TYS ELECTRONICS CORPORATION

REV	DATE	DESCRIPTION	BY	CHK
AD	00			
A	E00-05-013690		02JAN85	BSV KD
A1	REVISED PER E00-09-024927		07NOV89	KK AEG



SECTION A-A
 SCALE 10:1

- RECEPTACLE ACCEPTS A .008-.014 THICK I.C. LEAD.
 - TUBE LOADED FOR AUTOMATIC INSERTION.
- △ BECU CONTACT-PLATED WITH TWO .000030 MIN THK. GOLD STRIPES IN CONTACT AREA WITH TIN ON CONTACT LEGS, BALANCE OF CONTACT NICKEL PLATED.
 - △ PHOS BRONZE CONTACT-PLATED TWO .000015 MIN THK. GOLD STRIPES IN CONTACT AREA WITH TIN ON CONTACT LEGS, BALANCE OF CONTACT NICKEL PLATED.
 - △ MAXIMUM DIMENSION FOR I.C. SEATING PLANE.
 - △ HOUSING MATERIAL- GLASS FILLED THERMOPLASTIC, BLACK, 94V-0
 - △ OBSOLETE PARTS: OBSOLETE CIS STREAMLINING PER D.RENAUD/D.SINISI



OBsolete	1,900	19	1,995	40	1-1825375-3
△	1,300	13	1,395	28	1-1825375-2
△	1,100	11	1,195	24	1-1825375-1
△	1,900	19	1,995	40	1825375-3
△	1,300	13	1,395	28	1825375-2
△	1,100	11	1,195	24	1825375-1

OBsolete	CONTACT & FINISH	DIM C	B SPCS	DIM A	POSITION	PART NO.
△						

THIS DRAWING IS A CONTROLLED DOCUMENT.		DATE OF ISSUE		DATE OF REVISION	
DESIGNER	DATE	ISSUED	DATE	BY	REVISION
CHKD					
APP'D					
DATE					

THIS DRAWING IS A CONTROLLED DOCUMENT. DATE OF ISSUE: 00779 DATE OF REVISION: 01825375
 CUSTOMER DRAWING DATE: 8.1 SHEET: 1 OF 1