

4

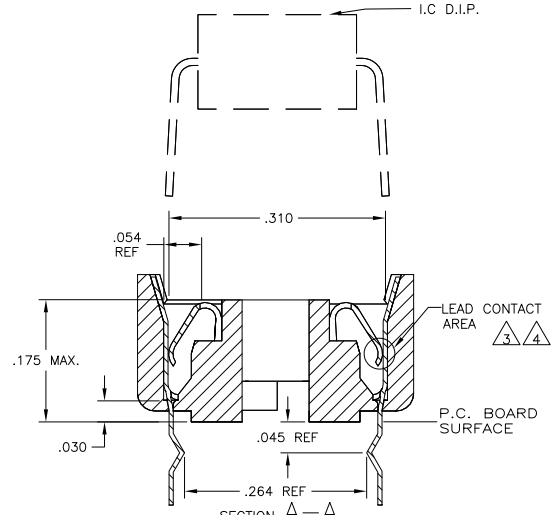
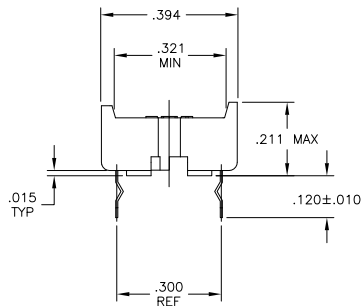
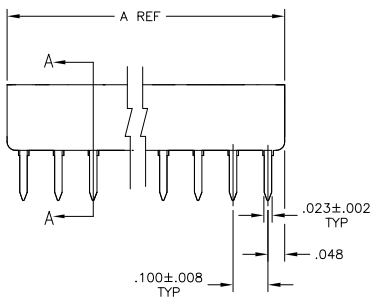
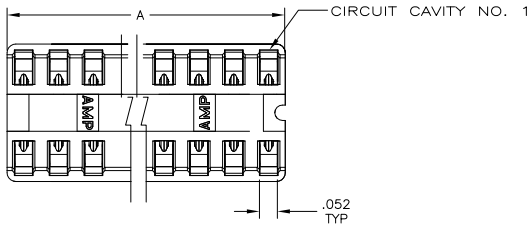
3

2

1

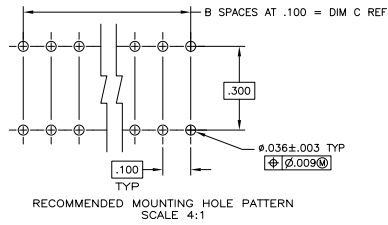
THIS DRAWING IS UNPUBLISHED. RELEASED FOR PUBLICATION BY TYCO ELECTRONICS CORPORATION. ALL RIGHTS RESERVED.

LOC	DIST	P	LR	DESCRIPTION	DATE	BY	APP
AD	00	A		ECO-05-013690	02JAN05	BSV	KD
		A1		REVISED PER ECO-09-024927	07NOV09	KK	AEG



SECTION A-A

SCALE 10:1



- 1 RECEPTACLE ACCEPTS A .008-.014 THICK I.C. LEAD.
- 2 TUBE LOADED FOR AUTOMATIC INSERTION.
- 3 BECU CONTACT - PLATED WITH TWO .000030 MIN THK. GOLD STRIPES IN CONTACT AREA WITH TIN ON CONTACT LEGS, BALANCE OF CONTACT NICKEL PLATED.
- 4 PHOS. BRZ CONTACT - PLATED WITH TWO .000015 MIN THK. GOLD STRIPES IN CONTACT AREA WITH TIN ON CONTACT LEGS, BALANCE OF CONTACT NICKEL PLATED.
- 5 GLASS FILLED THERMOPLASTIC, 94V-0, BLACK
- 6 OBSOLETE PARTS: OBSOLETE CIS STREAMLINING PER D.RENAUD/D.SINISI

	1	1.100	11	1.195	24	1-1825374-7
OBSOLETE	2	.900	9	.995	20	1-1825374-6
	3	.800	8	.895	18	1-1825374-5
	3	.700	7	.795	16	1-1825374-4
	3	.600	6	.695	14	1-1825374-3
	3	.300	3	.395	8	1-1825374-2
OBSOLETE	2	.200	2	.295	6	1-1825374-1
	4	1.100	11	1.195	24	1825374-7
	4	.900	9	.995	20	1825374-6
OBSOLETE	4	.800	8	.895	18	1825374-5
	4	.700	7	.795	16	1825374-4
OBSOLETE	4	.600	6	.695	14	1825374-3
	4	.300	3	.395	8	1825374-2
	4	.200	2	.295	6	1825374-1

THIS DRAWING IS A CONTROLLED DOCUMENT. DIMENSIONS: INCHES. MATERIAL: SEE TABLE. FINISH: SEE TABLE.

DESIGNED BY: S.S. VISWESWARA. CHECKED BY: K. WRIGHT. DRAWN BY: K. WRIGHT. APPROVED BY: [Signature].

PRODUCT SPEC: 108-1066. APPLICATION SPEC: 114-1049. WEIGHT: -.

SIZE: A2. CASE CODE: 00779. DRAWING NO: 1825374. RESTRICTED TO: -.

CUSTOMER DRAWING. SCALE: 5:1. SHEET: 1 OF 1. REV: A1.

1825374