

4

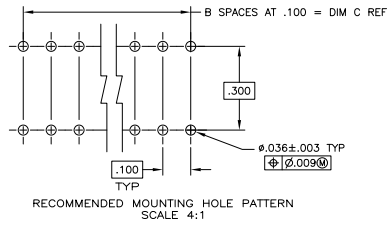
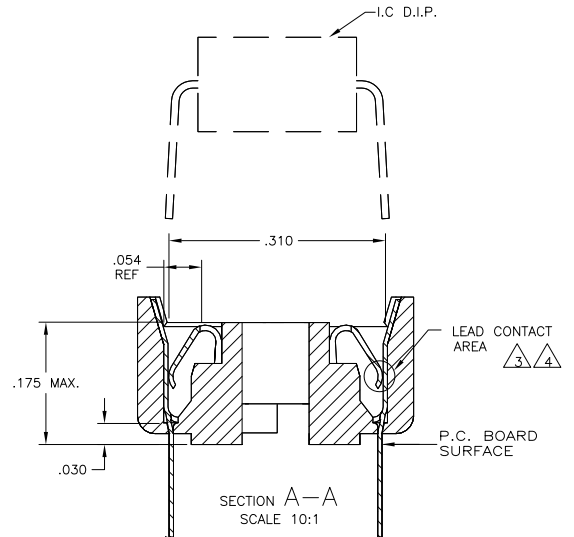
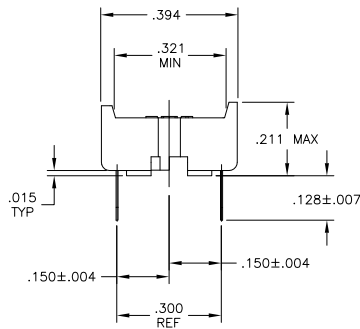
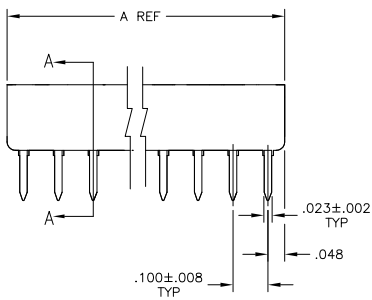
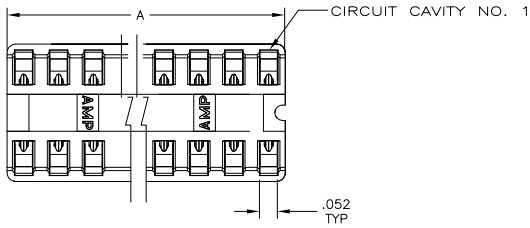
3

2

1

THIS DRAWING IS UNPUBLISHED. RELEASED FOR PUBLICATION. ALL RIGHTS RESERVED.

LOC	DIST	REVISIONS					
AD	00	P	LR	DESCRIPTION	DATE	BY	APPD
		A1		REVISED PER ECO-11-004820	11MAR11	RK	HMR



- △ RECEPTACLE ACCEPTS A .008-.014 THICK I.C. LEAD.
- △ TUBE LOADED FOR AUTOMATIC INSERTION.
- △ BECU CONTACT - PLATED WITH TWO .000030 MIN THK. GOLD STRIPES IN CONTACT AREA WITH TIN ON CONTACT LEGS, BALANCE OF CONTACT NICKEL PLATED.
- △ PHOS. BRZ CONTACT - PLATED WITH TWO .000015 MIN THK. GOLD STRIPES IN CONTACT AREA WITH TIN ON CONTACT LEGS, BALANCE OF CONTACT NICKEL PLATED.
- △ GLASS FILLED THERMOPLASTIC, 94V-0, BLACK

CONTACT & FINISH	DIM. C	B	SPCS	DIM. A	POSITION	PART NO.
3	1.100	11	1.195	24	1-1825094-7	
3	.900	9	.995	20	1-1825094-6	
3	.800	8	.895	18	1-1825094-5	
3	.700	7	.795	16	1-1825094-4	
3	.600	6	.695	14	1-1825094-3	
3	.300	3	.395	8	1-1825094-2	
3	.200	2	.295	6	1-1825094-1	
4	1.100	11	1.195	24	1825094-7	
4	.900	9	.995	20	1825094-6	
4	.800	8	.895	18	1825094-5	
4	.700	7	.795	16	1825094-4	
4	.600	6	.695	14	1825094-3	
4	.300	3	.395	8	1825094-2	
4	.200	2	.295	6	1825094-1	

THIS DRAWING IS A CONTROLLED DOCUMENT.

DESIGNER: S. S. VISNESWARA
 CHECKED: K. WRIGHT
 DATE: 108-1066
 APPLICATION SPEC: 114-1049
 WEIGHT: -

MATERIAL: SEE TABLE
 FINISH: SEE TABLE

SIZE: A2
 CASE CODE: 00779
 DRAWING NO: C=1825094

RESTRICTED TO: -

CUSTOMER DRAWING
 SCALE: 5:1
 SHEET: 1 of 1
 REV: A1

TE Connectivity
 DIP SOCKET ASSY, LADDER, DIPLOMATE, .300 CL, LEAD FREE