

4

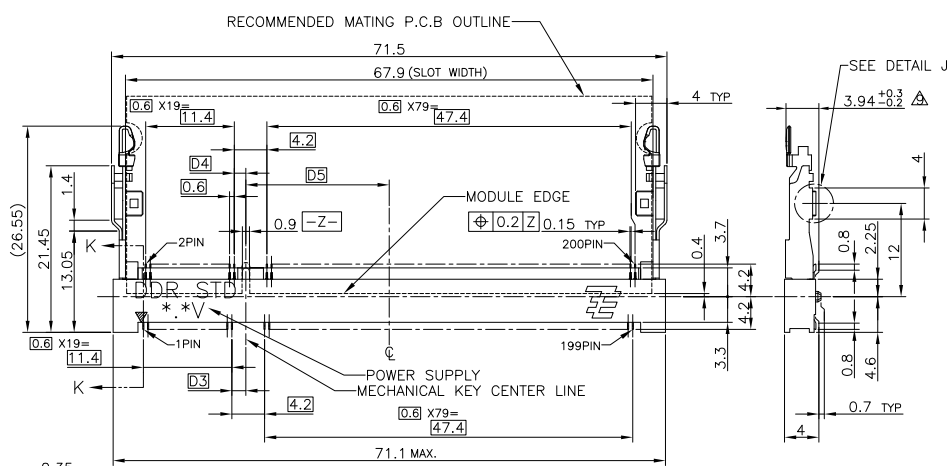
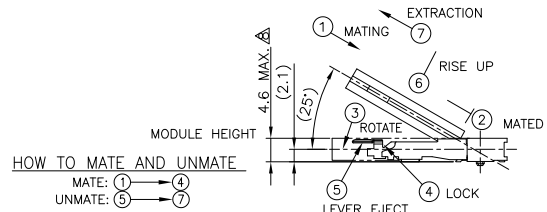
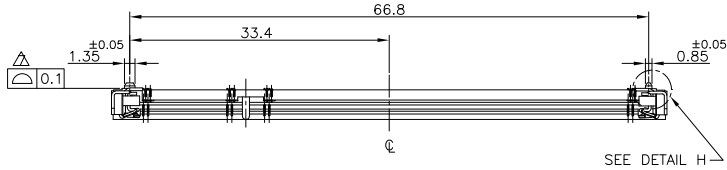
3

2

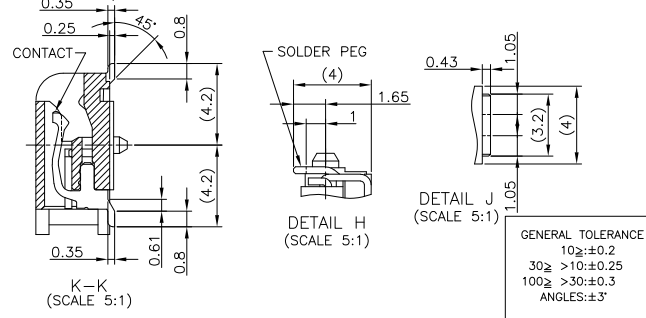
1

THIS DRAWING IS UNPUBLISHED. RELEASED FOR PUBLICATION OCT. 2001.
 © COPYRIGHT 2001 BY TYCO ELECTRONICS CORPORATION. ALL RIGHTS RESERVED.

LOC	DIST	REVISIONS				
P	LTR	DESCRIPTION	DATE	DWN	APVD	
D1		ECR-10-014776	20JUL10	B.W	S.Y	



- (APPLIED TO SHEET 1-2)
- MATERIAL ; HOUSING: HIGH TEMPERATURE THERMO PLASTIC UL94V-0
CONTACT: COPPER ARROY
LOCK LEVER: STAINLESS STEEL
 - FINISH ; CONTACT AREA: GOLD FLASH ON 0.0013MIN ALL OVER NICKEL.
SOLDERING AREA: GOLD FLASH PLATING.
LOCK LEVER: TIN PLATING.
- MECHANICAL KEY POSITION OF CONNECTOR SEE TABLE.
 TOLERANCES NON-CUMULATIVE.
 NOT TO SCALE.
 INSIDE MUST BE RESIST COAT EXCEPT SOLDER PATTERN.
 COPLANARITY : 0.1 MAX.
 THE FLOATING VALUE BY SOLDERING IS NOT INCLUDED.
 NOT MATING CONDITION.
 10 IF THE MODULE DOESN'T INSERT AND LOCK IN THE LATCH SMOOTHLY,
 OPEN WIDE BOTH LATCHES BY MANUAL. AND THE MODULE MUST BE
 INSERTED AND LOCKED IN THE LATCH.



AVAILABLE	— H —	1.8V (DDR2)	17.55	2.4	2.7	200	1746540-4
NOT AVAILABLE	— H —	2.5V (DDR1)	18.45	1.5	1.8	200	—
TOOLING STATUS	REMARK	POWER SUPPLY	D5	D4	D3	POS	PART NO.
THIS DRAWING IS A CONTROLLED DOCUMENT.		DWN B.WONG	20JUL10		Tyco Electronics AMP K.K. Kawasaki, Japan		
DIMENSIONS: MM		CHK C.WANG	20JUL10		NAME		
TOLERANCES UNLESS OTHERWISE SPECIFIED:		APVD S.YAO	20JUL10		PRODUCT SPEC		
0 PLC ±		108-5701		DDR1 & DDR2 SODIMM SOCKET 0.6mm PITCH			
1 PLC ±		APPLICATION SPEC		200POS LOW PROFILE STANDARD TYPE			
2 PLC ±		WEIGHT 3.2 g		(LATCH DIRECT SOLDERING TYPE)			
3 PLC ±		SIZE A.3		CAGE CODE 00779		RESTRICTED TO	
4 PLC ±		SCALE 2:1		DRAWING NO. 1746540		REV D1	
ANGLES ±3°		CUSTOMER DRAWING		SHEET 1 OF 4			

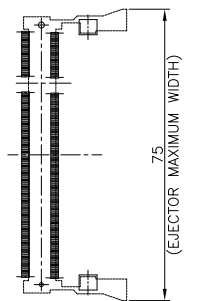
GENERAL TOLERANCE
 10₂: ±0.2
 30₂: >10: ±0.25
 100₂: >30: ±0.3
 ANGLES: ±3°

4 3 2 1

THIS DRAWING IS UNPUBLISHED. RELEASED FOR PUBLICATION OCT. 2001.
 © COPYRIGHT 2001 BY TYCO ELECTRONICS CORPORATION. ALL RIGHTS RESERVED.

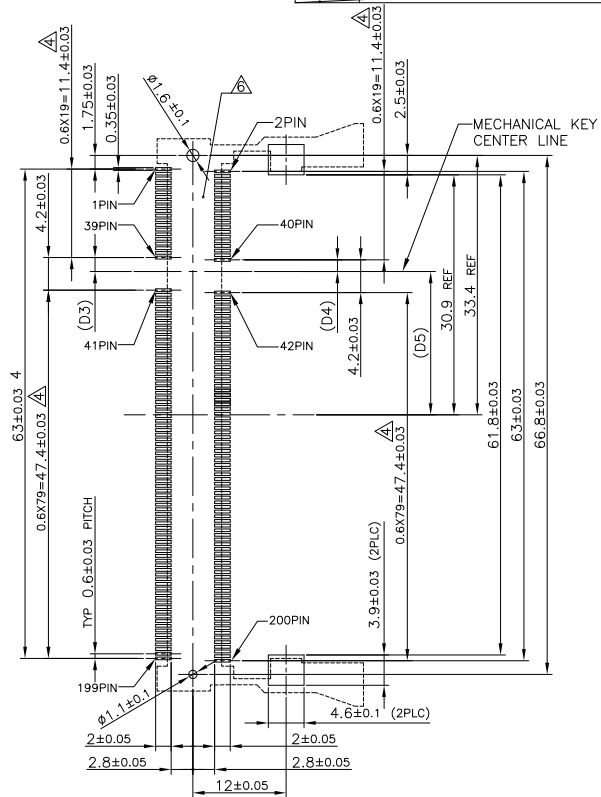
LOC	DIST	REVISIONS	DATE	DWN	APVD
J					
P	LTR	DESCRIPTION			
		SEE SHEET 1			

REFERENCE P.C. BOARD PATTERN LAYOUT (CONNECTOR MOUNTING SIDE)



REAL SIZE (SCALE 1:1)

1.8V	17.55	2.4	2.7
2.5V	18.45	1.5	1.8
POWER SUPPLY	D5	D4	D3



THIS DRAWING IS A CONTROLLED DOCUMENT.		DWN	Tyco Electronics Tyco Electronics AMP K.K. Kawasaki, Japan	
DIMENSIONS:	TOLERANCES UNLESS OTHERWISE SPECIFIED:	CHK	NAME	DDR1 & DDR2 SODIMM SOCKET 0.6mm PITCH 200POS LOW PROFILE STANDARD TYPE (LATCH DIRECT SOLDERING TYPE)
MM	0 PLC ± 1 PLC ± 2 PLC ± 3 PLC ± 4 PLC ± ANGLES ±	APVD	SIZE	A3
MATERIAL	FINISH	PRODUCT SPEC	CAGE CODE	00779
		APPLICATION SPEC	DRAWING NO	C=1746540
		WEIGHT	RESTRICTED TO	-
		CUSTOMER DRAWING	SCALE	2:1
			SHEET	2 of 4
			REV	D1

4

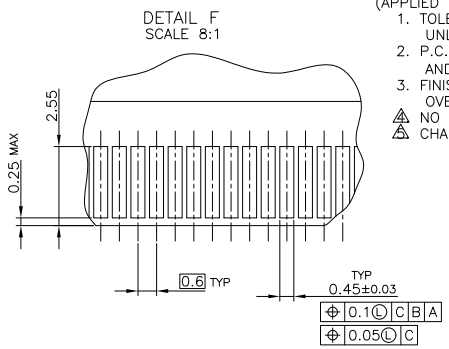
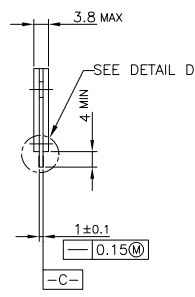
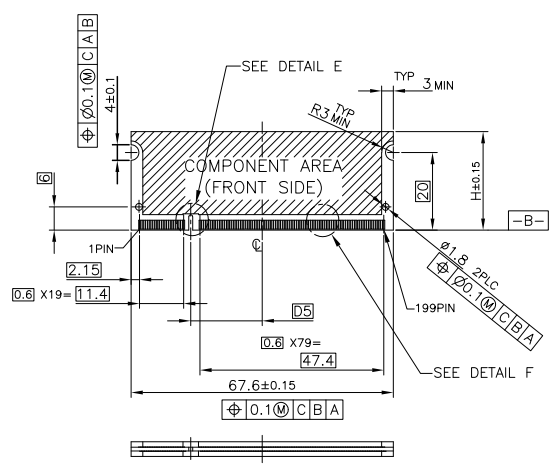
3

2

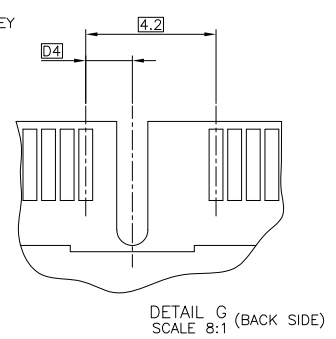
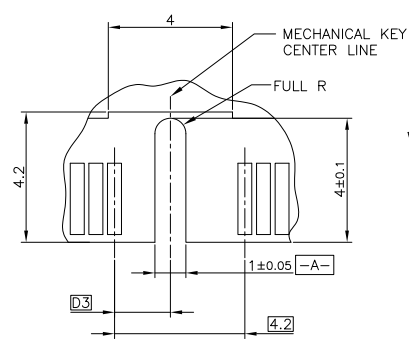
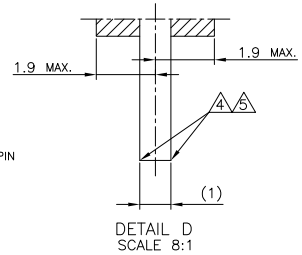
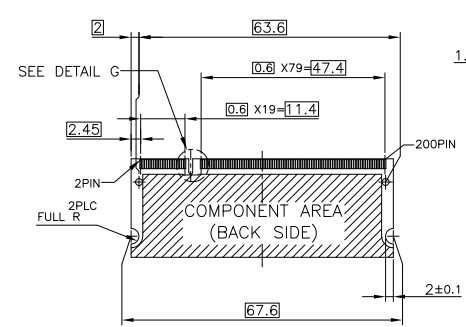
1

THIS DRAWING IS UNPUBLISHED. RELEASED FOR PUBLICATION OCT. 2001.
 © COPYRIGHT 2001 BY TYCO ELECTRONICS CORPORATION. ALL RIGHTS RESERVED.

LOC	DIST	REVISIONS				
P	LTR	DESCRIPTION	DATE	DWN	APVD	
-	-	SEE SHEET 1	-	-	-	



- (APPLIED TO SHEET 3)
1. TOLERANCES ON ALL DIMENSIONS ±0.15 UNLESS OTHERWISE SPECIFIED.
 2. P.C.BOARD THICKNESS APPLIES ACROSS TABS AND INCLUDES PLATING AND/OR METALIZATION.
 3. FINISH OF PAD : GOLD PLATING 0.00076 MIN. OVER Ni PLATING 0.002MIN.
- ▲ NO BURR
 ▲ CHAMFER 0.25 MAX x 45° IF EXIST.



31.75	1.8V	17.55	2.4	2.7
25.4	2.5V	18.45	1.5	1.8
H	POWER SUPPLY	D5	D4	D3

RECOMMENDED MATING P.C.B CONFIGURATION

THIS DRAWING IS A CONTROLLED DOCUMENT.

DIMENSIONS:	MM	TOLERANCES UNLESS OTHERWISE SPECIFIED:	0 PLC ±	1 PLC ±	2 PLC ±	3 PLC ±	4 PLC ±	ANGLES ±
MATERIAL:		FINISH:						

OWN: DWN
 CHK: /
 APVD: /
 PRODUCT SPEC: /
 APPLICATION SPEC: /
 WEIGHT: /

Tyco Electronics Tyco Electronics AMP K.K. Kawasaki, Japan

NAME: DDR1 & DDR2 SODIMM SOCKET 0.6mm PITCH 200POS LOW PROFILE STANDARD TYPE (LATCH DIRECT SOLDERING TYPE)

SIZE: A3 CAGE CODE: 00779 DRAWING NO: C=1746540 RESTRICTED TO: /

CUSTOMER DRAWING SCALE: 2:1 SHEET: 3 OF 4 REV: D1

4

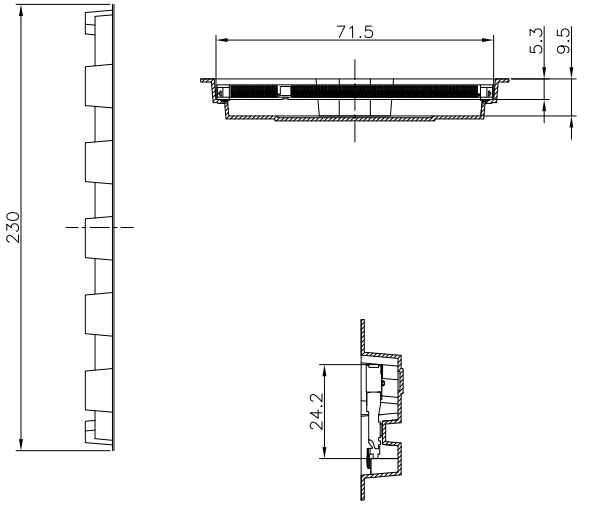
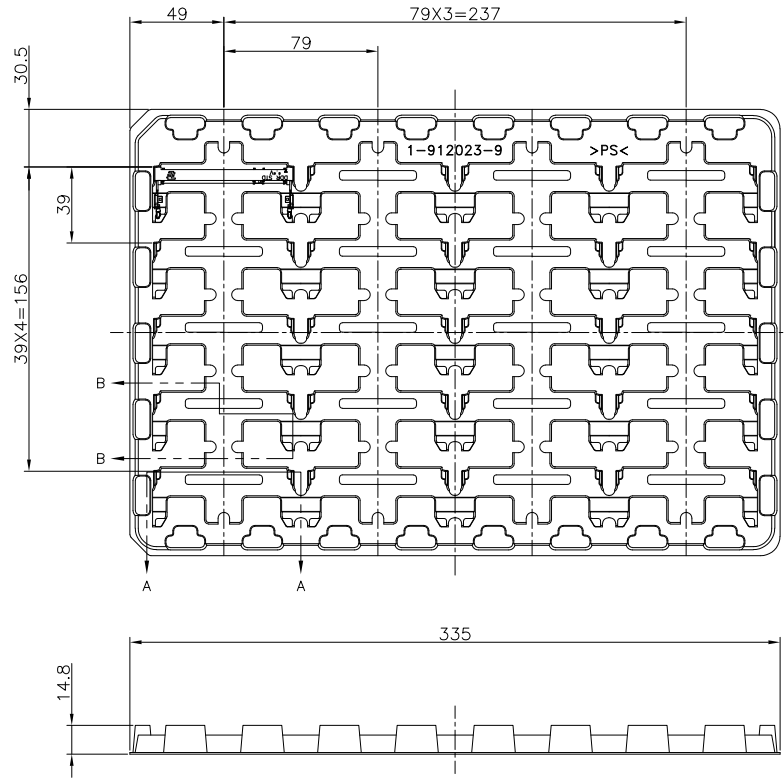
3

2

1

THIS DRAWING IS UNPUBLISHED. RELEASED FOR PUBLICATION OCT. 2001.
 © COPYRIGHT 2001 BY TYCO ELECTRONICS CORPORATION. ALL RIGHTS RESERVED.

LOC	DIST	REVISIONS				
P	LTR	DESCRIPTION	DATE	OWN	APVD	
-	-	SEE SHEET 1	-	-	-	



- (APPLIED TO SHEET 4)
1. THE DIRECTION OF EACH CONNECTOR ON A TRAY IS REFERRED TO THIS DRAWING.
 2. GENERAL TOLERANCE : ±0.5

THIS DRAWING IS A CONTROLLED DOCUMENT.		OWN
DIMENSIONS: MM		CHK
TOLERANCES UNLESS OTHERWISE SPECIFIED:		APVD
0 PLC	±	PRODUCT SPEC
1 PLC	±	APPLICATION SPEC
2 PLC	±	WEIGHT
3 PLC	±	
4 PLC	±	
ANGLES	±	
MATERIAL	FINISH	

AVAILABLE	20EA/TRAY	1746540-4
NOT AVAILABLE		-
TOOLING STATUS	QTY	P/N
Tyco Electronics AMP K.K. Kawasaki, Japan		
NAME		
DDR1 & DDR2 SODIMM SOCKET 0.6mm PITCH 200POS LOW PROFILE STANDARD TYPE (LATCH DIRECT SOLDERING TYPE)		
SIZE	CAGE CODE	DRAWING NO
A3	00779	1746540
CUSTOMER DRAWING		RESTRICTED TO
SCALE 1:2		
SHEET 4	OF 4	REV D1