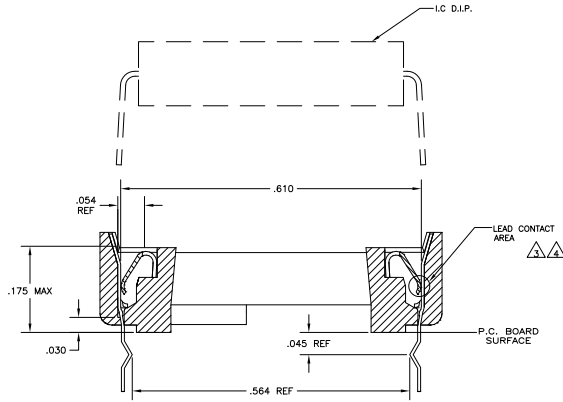
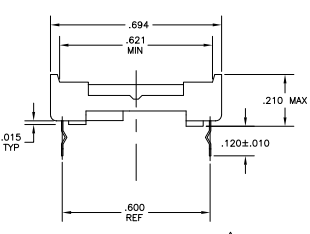
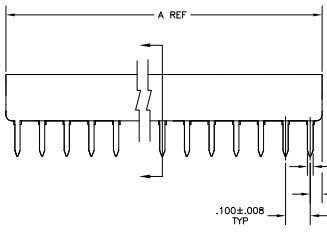
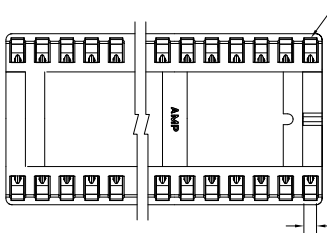
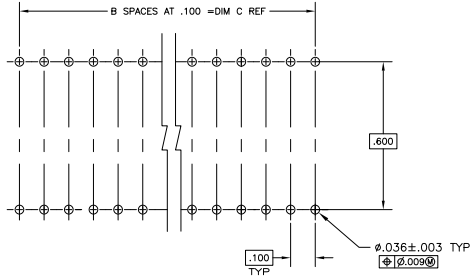


THIS DRAWING IS UNPUBLISHED
 UNLESS OTHERWISE SPECIFIED
 © 1988 BY TYS ELECTRONICS CORPORATION ALL RIGHTS RESERVED

REV	DATE	DESCRIPTION	BY	CHK
AD	00			
A	E00-05-013680		03MMS	BSV KD
A1	REVISED PER E00-10-000444		19JMH10	KK HMR



SECTION A-A
 SCALE 10:1



RECOMMENDED MOUNTING HOLE PATTERN
 SCALE 4:1

- △ RECEPTACLE ACCEPTS A .008-.014 THICK I.C. LEAD.
- △ TUBE LOADED FOR AUTOMATIC INSERTION.
- △ BECU CONTACT - PLATED WITH TWO .000030 MIN THICK GOLD STRIPES IN CONTACT AREA WITH TIN ON CONTACT LEGS, BALANCE OF CONTACT NICKEL PLATED.
- △ PHOS. BRZ CONTACT - PLATED WITH TWO .000015 MIN THICK GOLD STRIPES IN CONTACT AREA WITH TIN ON CONTACT LEGS, BALANCE OF CONTACT NICKEL PLATED.
- △ GLASS FILLED THERMOPLASTIC, 94V-0, BLACK
- △ OBSOLETE PARTS: OBSOLETE CIS STREAMLINING PER D.RENAUD/D.SINISI

CONTACT & FINISH	DIM C	B SPCS	DIM A	POSITION	PART NO.
△ OBSOLETE	2.300	23	2.395	48	1-1825376-4
△	1.900	19	1.995	40	1-1825376-3
△	1.300	13	1.395	28	1-1825376-2
△	1.100	11	1.195	24	1-1825376-1
△ OBSOLETE	2.300	23	2.395	48	1825376-4
△	1.900	19	1.995	40	1825376-3
△	1.300	13	1.395	28	1825376-2
△ OBSOLETE	1.100	11	1.195	24	1825376-1

THIS DRAWING IS A CONTROLLED DOCUMENT. IT IS UNCLASSIFIED UNLESS INDICATED OTHERWISE.

INCHES: 108-1066
 METERS: 114-1049

DATE: 10/79
 DRAWING NO: 1825376
 CUSTOMER DRAWING

THIS DRAWING IS A CONTROLLED DOCUMENT. IT IS UNCLASSIFIED UNLESS INDICATED OTHERWISE.

DATE: 10/79
 DRAWING NO: 1825376
 CUSTOMER DRAWING