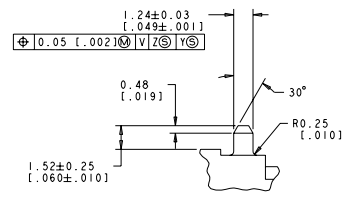
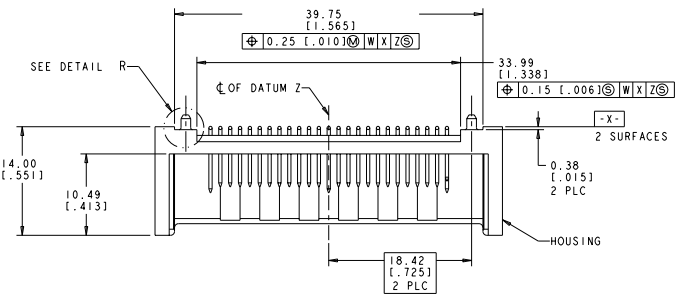
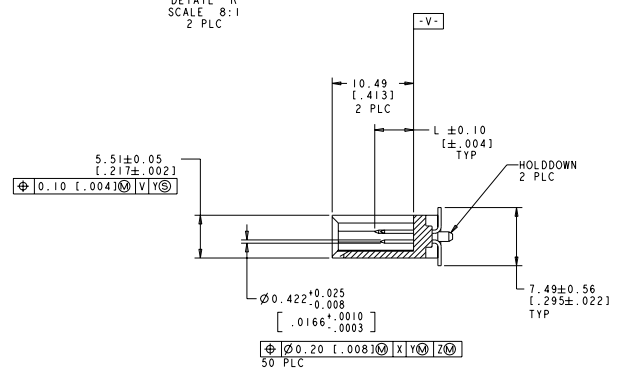
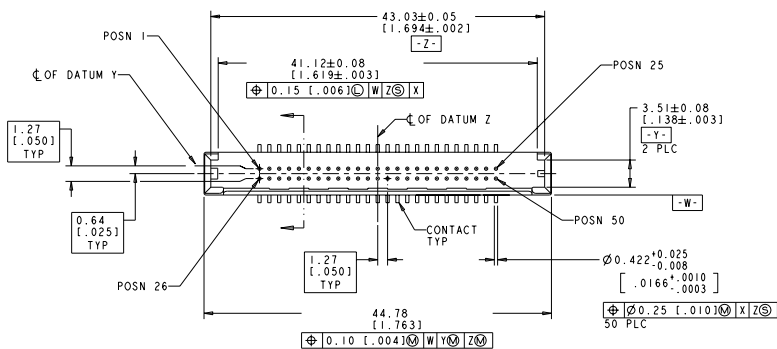


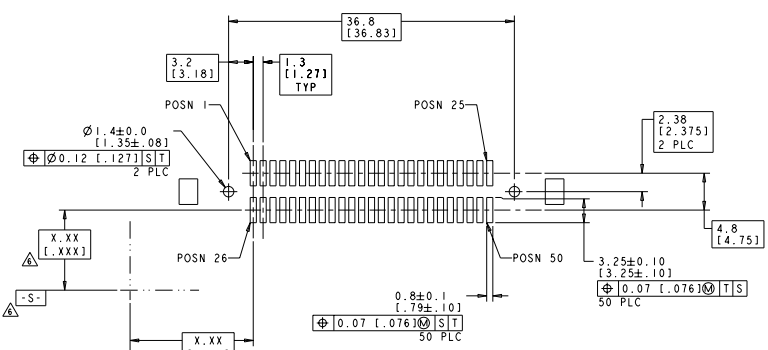
REVISED		REVISIONS		DATE	BY	CHK	APP
A	REV PER ECO-09-010355			11/08/09	CR	DLG	
A1	REVISED PER ECO-10-012217			08/09/10	CJV	DLG	



DETAIL R  
SCALE 8:1  
2 PL



- △ HOUSING: POLYESTER LCP, BLACK.
- △ CONTACTS: 0.76µm [0.000030] MIN GOLD FOR A LENGTH OF 3.51 [1.38] MIN IN CONTACT AREA, 3.81µm [0.00150] MIN TIN-LEAD FOR A LENGTH OF 2.01 [0.79] MIN ON SOLDER TAILS, ALL OVER 1.27µm [0.00050] MIN NICKEL.
- △ DIMENSION APPLIES TO POSITIONS 25 AND 26.
- △ DIMENSION APPLIES TO POSITIONS 2 THRU 12, 14 THRU 24, 27 THRU 37 AND 39 THRU 49.
- △ DIMENSION APPLIES TO POSITIONS 1, 13, 38 AND 50.
- △ DATUMS AND BASIC DIMENSIONS ESTABLISHED BY CUSTOMER.



RECOMMENDED PC BOARD LAYOUT

5.00 [0.197]△	4.24 [0.167]△	3.51 [0.138]△	788643-1
L			PART NUMBER

QTY: 1000 DIMENSIONS: 100% TOLERANCES: AS SHOWN FINISH: 100% MATERIAL: 100%	QTY: 1000 DIMENSIONS: 100% TOLERANCES: AS SHOWN FINISH: 100% MATERIAL: 100%	QTY: 1000 DIMENSIONS: 100% TOLERANCES: AS SHOWN FINISH: 100% MATERIAL: 100%	QTY: 1000 DIMENSIONS: 100% TOLERANCES: AS SHOWN FINISH: 100% MATERIAL: 100%	QTY: 1000 DIMENSIONS: 100% TOLERANCES: AS SHOWN FINISH: 100% MATERIAL: 100%	QTY: 1000 DIMENSIONS: 100% TOLERANCES: AS SHOWN FINISH: 100% MATERIAL: 100%
---	---	---	---	---	---