

4

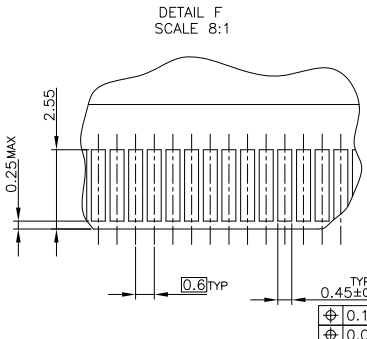
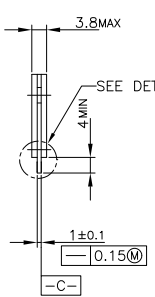
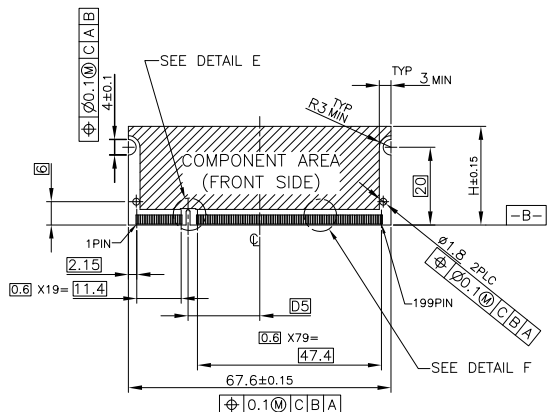
3

2

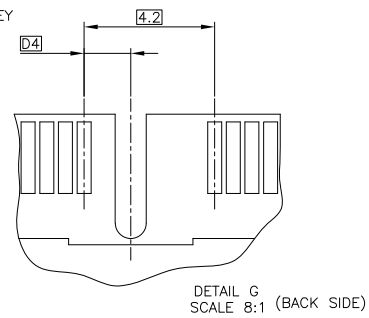
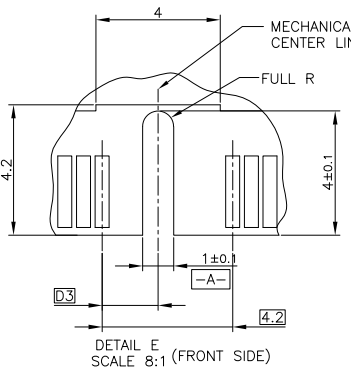
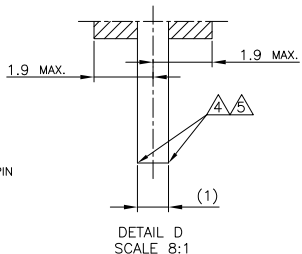
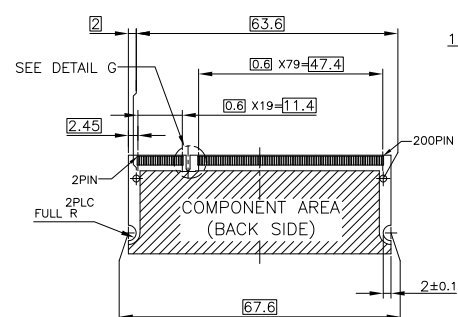
1

THIS DRAWING IS UNPUBLISHED. RELEASED FOR PUBLICATION OCT. 2001.
 COPYRIGHT 2001 BY TYCO ELECTRONICS CORPORATION. ALL RIGHTS RESERVED.

LOC	DIST	REVISIONS				
P	LTR	DESCRIPTION	DATE	DWN	APVD	
		SEE SHEET 1				



- (APPLIED TO SHEET 3)
1. TOLERANCES ON ALL DIMENSIONS ±0.15 UNLESS OTHERWISE SPECIFIED.
 2. P.C.BOARD THICKNESS APPLIES ACROSS TABS AND INCLUDES PLATING AND/OR METALIZATION.
 3. FINISH OF PAD : GOLD PLATING 0.00076 MIN. OVER Ni PLATING 0.002MIN.
- △ NO BURR
 △ CHAMFER 0.25 MAX x 45° IF EXIST.



31.75	1.8V	17.55	2.4	2.7
25.4	2.5V	18.45	1.5	1.8
H	POWER SUPPLY	D5	D4	D3

RECOMMENDED MATING P.C.B CONFIGURATION

THIS DRAWING IS A CONTROLLED DOCUMENT.		DWN	
DIMENSIONS: MM		CHK	
TOLERANCES UNLESS OTHERWISE SPECIFIED:		APVD	
0 PLC	±	PRODUCT SPEC	
1 PLC	±	APPLICATION SPEC	
2 PLC	±	WEIGHT	
3 PLC	±	CUSTOMER DRAWING	
4 PLC	±		
ANGLES	±		
MATERIAL	FINISH		

Tyco Electronics		Tyco Electronics AMP K.K. Kawasaki, Japan		
NAME: DDR1 & DDR2 SODIMM SOCKET 0.6mm PITCH 200POS LOW PROFILE REVERSE TYPE				
SIZE	CAGE CODE	DRAWING NO	RESTRICTED TO	
A3	00779	C=1565692		
SCALE: 2:1		SHEET: 3 OF 4	REV: G1	

4

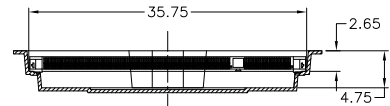
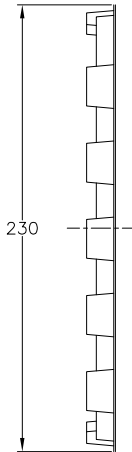
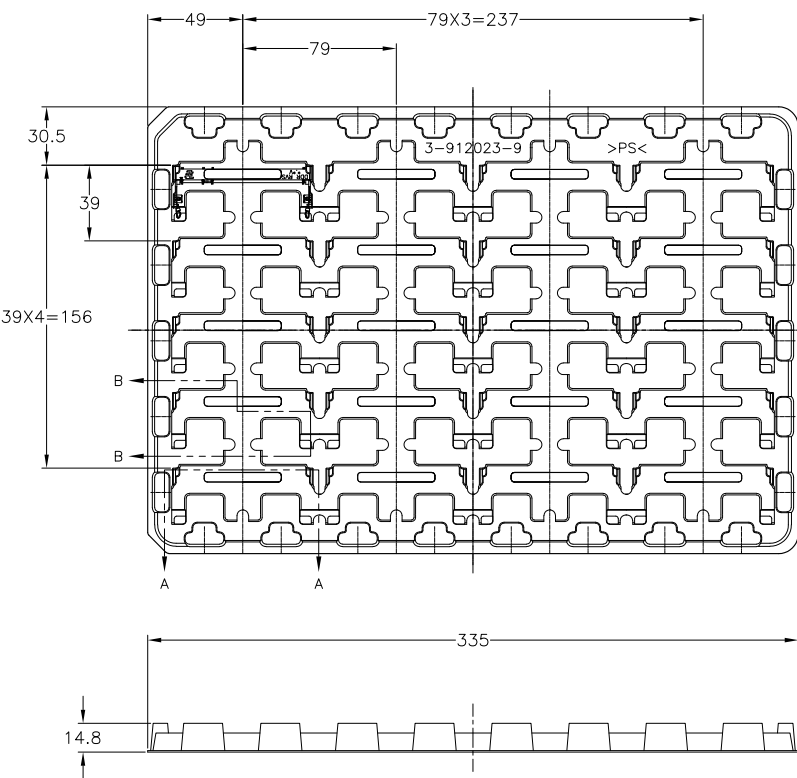
3

2

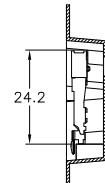
1

THIS DRAWING IS UNPUBLISHED. RELEASED FOR PUBLICATION OCT. 2001.
 © COPYRIGHT 2001 BY TYCO ELECTRONICS CORPORATION. ALL RIGHTS RESERVED.

LOC	DIST	REVISIONS				
P	LTR	DESCRIPTION	DATE	DWN	APVD	
J						



A-A
SCALE 2:1
(180DEG. ROTATE)



B-B
SCALE 2:1

1.8V (DDR2)	20EA/TRAY	1-1565692-4
1.8V (DDR2)	20EA/TRAY	1565692-4
2.5V (DDR1)	20EA/TRAY	1-1565692-1
2.5V (DDR1)	20EA/TRAY	1565692-1
POWER SUPPLY (TYPE)	QTY	P/N

- (APPLIED TO SHEET 4)
1. THE DIRECTION OF EACH CONNECTOR ON A TRAY IS REFERRED TO THIS DRAWING.
 2. GENERAL TOLERANCE: ±0.5

THIS DRAWING IS A CONTROLLED DOCUMENT.		DWN	Tyco Electronics AMP K.K. Kawasaki, Japan	
DIMENSIONS:	TOLERANCES UNLESS OTHERWISE SPECIFIED:	CHK	NAME	
MM	0 PLC ±	APVD	DDR1 & DDR2 SODIMM SOCKET	
	1 PLC ±	PRODUCT SPEC	0.6mm PITCH 200POS	
	2 PLC ±	APPLICATION SPEC	LOW PROFILE REVERSE TYPE	
	3 PLC ±	WEIGHT	SIZE	CAGE CODE
	4 PLC ±		A3	00779
	PLC ANGLES ±		DRAWING NO	RESTRICTED TO
MATERIAL	FINISH	CUSTOMER DRAWING	©-1565692	
		SCALE	1:2	SHEET 4 OF 4
		REV	G1	

AMP 1470-19 REV 31MAR2000