

4

3

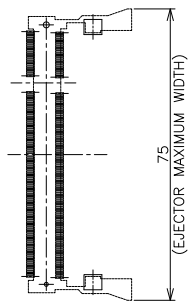
2

1

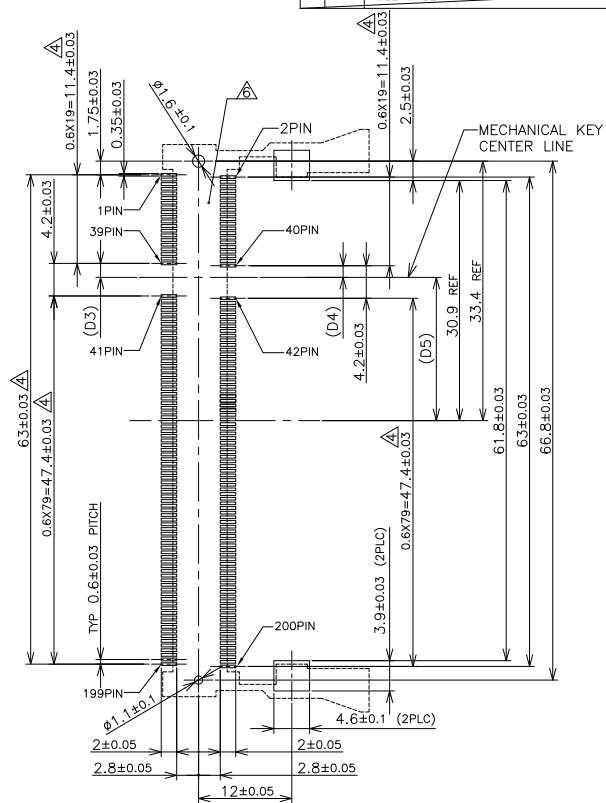
THIS DRAWING IS UNPUBLISHED. RELEASED FOR PUBLICATION OCT. 2001. ALL RIGHTS RESERVED.

LOC	DIST	REVISIONS			
P	LTR	DESCRIPTION	DATE	DWN	APVD
-	-	SEE SHEET 1	-	-	-

REFERENCE P.C. BOARD PATTERN LAYOUT (CONNECTOR MOUNTING SIDE)



REAL SIZE (SCALE 1:1)



1.8V	17.55	2.4	2.7
2.5V	18.45	1.5	1.8
POWER SUPPLY	D5	D4	D3

THIS DRAWING IS A CONTROLLED DOCUMENT.		DWN	STE TE Connectivity	
DIMENSIONS: MM		CHK		
TOLERANCES UNLESS OTHERWISE SPECIFIED:		APVD	NAME	
0 PLC ±		PRODUCT SPEC	DDR1 & DDR2 SODIMM SOCKET	
1 PLC ±		APPLICATION SPEC	0.6mm PITCH 200POS	
2 PLC ±		WEIGHT	LOW PROFILE STANDARD TYPE	
3 PLC ±		CUSTOMER DRAWING	SIZE	RESTRICTED TO
4 PLC ±			A3	
ANGLES ±			CAGE CODE	DRAWING NO
FINISH			00779	1565691
			SCALE	SHEET
			2:1	2 of 4
				REV
				G2

4

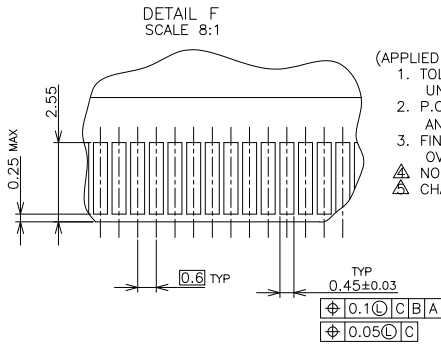
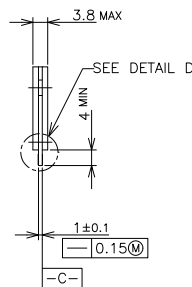
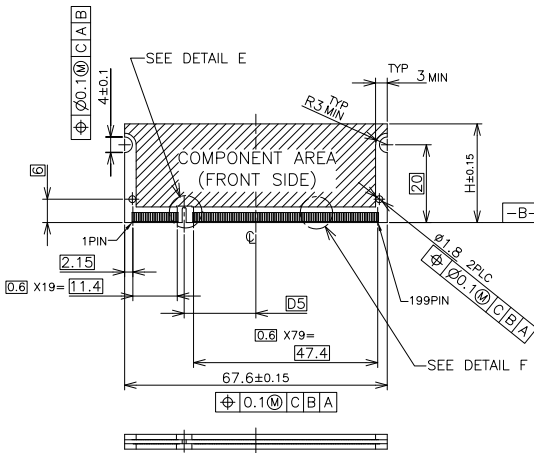
3

2

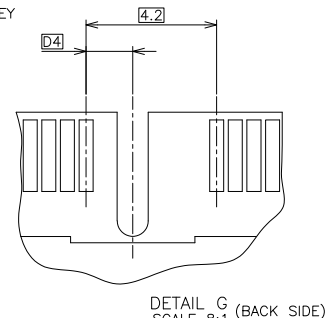
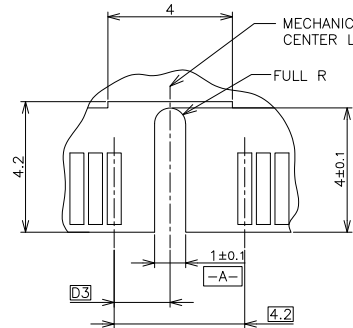
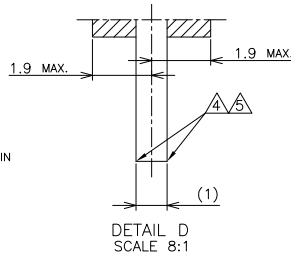
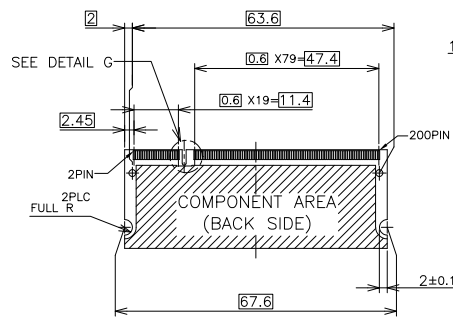
1

THIS DRAWING IS UNPUBLISHED. RELEASED FOR PUBLICATION OCT. 2001.
 ALL RIGHTS RESERVED. COPYRIGHT 2001 By -

LOC	DIST	REVISIONS				
P	LTR	DESCRIPTION	DATE	DWN	APVD	
-	-	SEE SHEET 1	-	-	-	



- (APPLIED TO SHEET 3)
1. TOLERANCES ON ALL DIMENSIONS ±0.15 UNLESS OTHERWISE SPECIFIED.
 2. P.C.BOARD THICKNESS APPLIES ACROSS TABS AND INCLUDES PLATING AND/OR METALIZATION.
 3. FINISH OF PAD : GOLD PLATING 0.00076 MIN. OVER Ni PLATING 0.002MIN.
- ▲ NO BURR
 ▲ CHAMFER 0.25 MAX x 45° IF EXIST.



RECOMMENDED MATING P.C.B CONFIGURATION

31.75	1.8V	17.55	2.4	2.7
25.4	2.5V	18.45	1.5	1.8
H	POWER SUPPLY	D5	D4	D3

THIS DRAWING IS A CONTROLLED DOCUMENT.

DIMENSIONS:	TOLERANCES UNLESS OTHERWISE SPECIFIED:	DWN	CHK	APVD	NAME	
MM	0 PLC ±				TE Connectivity	
	1 PLC ±				DDR1 & DDR2 SODIMM SOCKET	
	2 PLC ±				0.6mm PITCH 200POS	
	3 PLC ±				LOW PROFILE STANDARD TYPE	
	4 PLC ±					
	ANGLES ±					
MATERIAL	FINISH	WEIGHT	SIZE	CAGE CODE	DRAWING NO	RESTRICTED TO
			A3	00779	C=1565691	
CUSTOMER DRAWING		SCALE	2:1	SHEET	3 of 4	REV
						G2

4

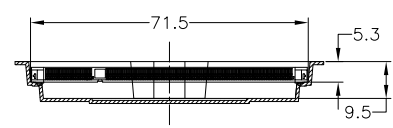
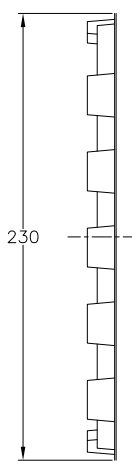
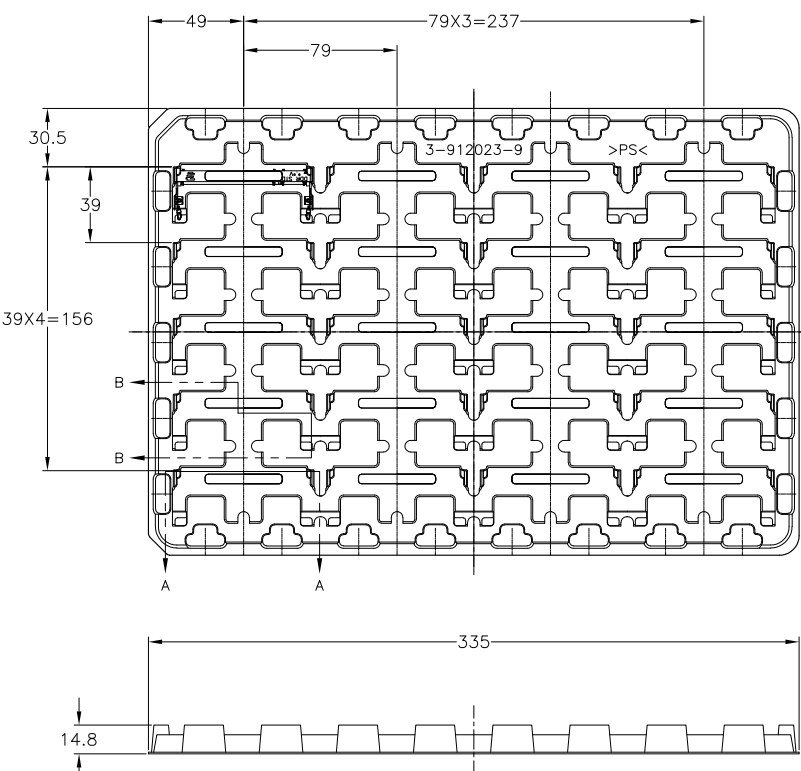
3

2

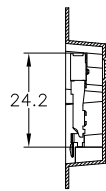
1

THIS DRAWING IS UNPUBLISHED. RELEASED FOR PUBLICATION OCT. 2001.
 © COPYRIGHT 2001 By - ALL RIGHTS RESERVED.

LOC	DIST	REVISIONS				
P	LTR	DESCRIPTION	DATE	DWN	APVD	
-	-	SEE SHEET 1	-	-	-	



A-A
SCALE 2:1
(180DEG. ROTATE)



B-B
SCALE 2:1

1.8V (DDR2)	20EA/TRAY	1-1565691-4
1.8V (DDR2)	20EA/TRAY	1565691-4
2.5V (DDR1)	20EA/TRAY	1-1565691-1
2.5V (DDR1)	20EA/TRAY	1565691-1
POWER SUPPLY (TYPE)	QTY	P/N

- (APPLIED TO SHEET 4)
- 1 THE DIRECTION OF EACH CONNECTOR ON A TRAY IS REFERRED TO THIS DRAWING.
 - 2 GENERAL TOLERANCE: ±0.5

THIS DRAWING IS A CONTROLLED DOCUMENT.		DWN	STE TE Connectivity	
DIMENSIONS: MM		CHK		
TOLERANCES UNLESS OTHERWISE SPECIFIED:		APVD	NAME	
0 PLC ± 0.3		PRODUCT SPEC	DDR1 & DDR2 SODIMM SOCKET	
1 PLC ± 0.3		APPLICATION SPEC	0.6mm PITCH 200POS	
2 PLC ± 0.3		WEIGHT	LOW PROFILE STANDARD TYPE	
3 PLC ± 0.3		CUSTOMER DRAWING	SIZE	CAGE CODE
4 PLC ± 0.3			A3	00779
ANGLES ± 3°			DRAWING NO	RESTRICTED TO
FINISH			©=1565691	-
		SCALE	1:2	SHEET
				4 of 4
				REV
				G2