

4

3

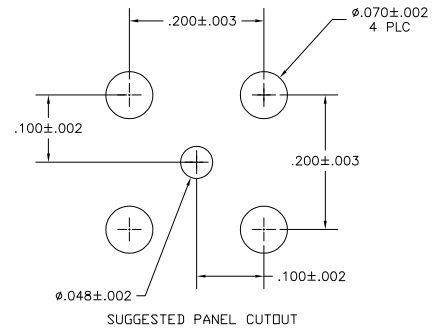
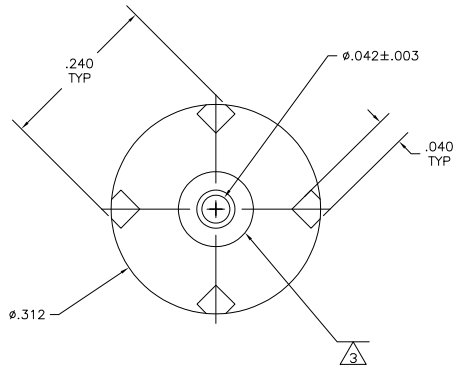
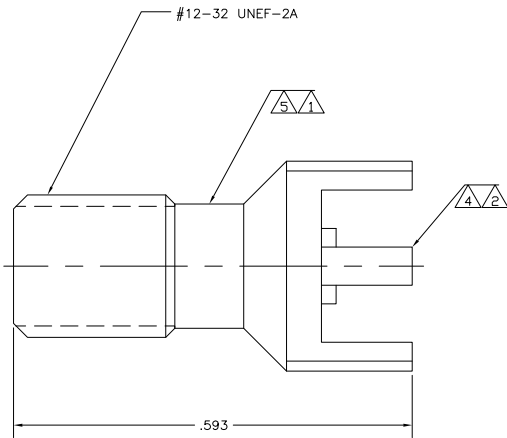
2

1

THIS DRAWING IS UNPUBLISHED. RELEASED FOR PUBLICATION.  
 © COPYRIGHT BY TYCO ELECTRONICS CORPORATION. ALL RIGHTS RESERVED.

LOC	DIST	REVISIONS				
DF	X5	F	LNK	DATE	MIN	APD
		E	REV PER EC	0414-0486-04	14SEP05	VF CT

- ① BRASS PER ASTM-B-16.
- ② BERYLLIUM COPPER PER ASTM-B-196.
- ③ PTFE PER ASTM-D-1710.
- ④ GOLD PLATE PER ASTM-B-488 OVER NICKEL PLATE PER QQ-N-290.
- ⑤ SILVER PLATE PER QQ-S-365 OVER NICKEL PLATE PER QQ-N-290.



331899  
 PART NUMBER

THIS DRAWING IS A CONTROLLED DOCUMENT.		DRW V. FURLER 01SEP05	Tyco Electronics Corporation Harrisburg, Pa 17105-3608
DIMENSIONS: INCHES		CHK T.W. FITZGERALD 01SEP05	
TOLERANCES UNLESS OTHERWISE SPECIFIED:		APP'D T.W. FITZGERALD 01SEP05	NAME
0 PLC	A -	APPLICATION SPEC	CONNECTOR COAXIAL, R.F. ADAPTER, PCB, RECTP, SERIES, MIN THREADED
1 PLC	B -	HEIGHT	SIZE CASE CODE DRAWING NO
2 PLC	C -	CUSTOMER DRAWING	A2 00779 C=331899
3 PLC	D - .008	SCALE	8:1
4 PLC	E -	SHEET	1 OF 1
ANGLES	F -	REV	F
FINISH	G -		

AMP 1471-9 REV 31MMR2000