

4

3

2

1

THIS DRAWING IS UNPUBLISHED. RELEASED FOR PUBLICATION MAY, 2006.
 © COPYRIGHT 2006 BY TYCO ELECTRONICS CORPORATION. ALL RIGHTS RESERVED.

LOC	DIST	REVISIONS			
P	LTR	DESCRIPTION	DATE	DWN	APVD
D		ECO-09-016840	11AUG2009	AM	BOB

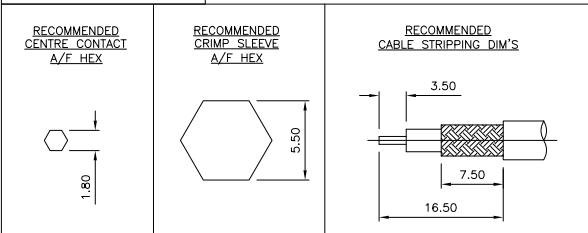
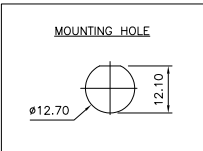
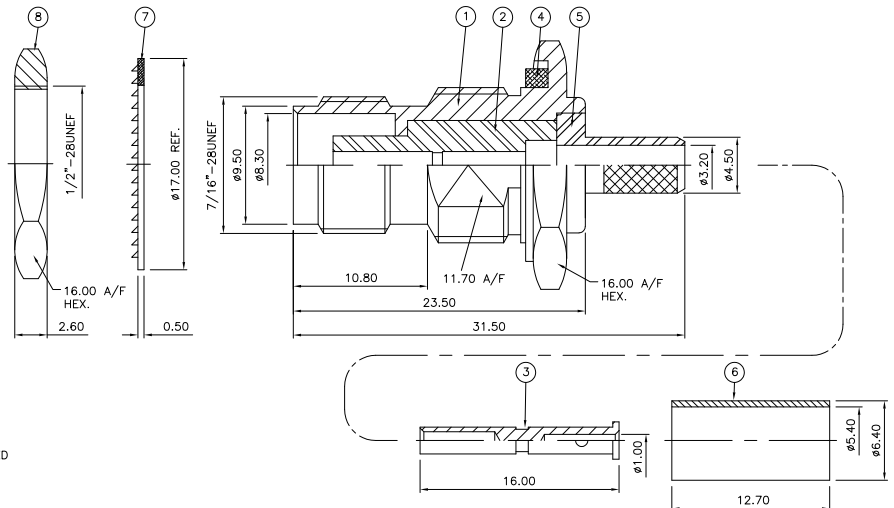
NOTES:

- 1 PACK IN ACCORDANCE WITH AMP SPEC 107-3275
- 2 100 TRAY PACK IN ACCORDANCE WITH AMP SPEC 107-3275
- 3 Au PLATING
- 4 Ni PLATING
- 5 THIS ITEM MUST BE WHITE
- 7 HAND TOOL : 9-1478240-0
- 8 DIE SET : 9-1478242-0
- 9 ELECTRICAL CHARACTERISTICS

FREQUENCY RANGE:	DC - 11 GHz
NOMINAL IMPEDANCE:	50 Ohm
INSULATION RESISTANCE:	5000 MOhm
WORKING VOLTAGE:	500 Volts RMS at Sea Level
DIELECTRIC WITHSTAND VOLTAGE:	1500 Volts RMS Max
CONTACT RESISTANCE:	
CENTRE CONTACT:	1.50 mOhm Max
OUTER CONTACT:	1.00 mOhm Max
VSWR @ 4GHz:	1.30:1 Max
INSERTION LOSS dB @ x 3 GHz:	0.20 Max
- 10 MECHANICAL CHARACTERISTICS

COUPLING NUT RETENTION FORCE:	N/A
CABLE RETENTION FORCE:	170N Min
MOUNT NUT RECOMMENDED TORQUE:	4N
DURABILITY:	500 Cycles Min
- 11 ENVIRONMENTAL CHARACTERISTICS

OPERATING TEMPERATURE:	-65 to +165 DegC
------------------------	------------------
- 12 FOR TECHNICAL DATA REFER TO YOUR LOCAL TYCO ELECTRONICS SALES OFFICE
- 13 ALL DIMENSIONS ARE NOMINAL FOR REFERENCE ONLY UNLESS OTHERWISE STATED



OBSOLETE					
QTY	DESCRIPTION	MATERIAL	DESCRIPTION	ITEM	
1	BRASS	△	HEXAGONAL NUT	8	
1	STEEL	△	LOCKWASHER	7	
1	BRASS	△	FERRULE	6	
1	BRASS	△	CHASSIS	5	
1	SILICONE RUBBER	△	GASKET	4	
1	BRASS	△	CONTACT	3	
1	PTFE	△	INSULATION	2	
1	BRASS	△	BODY	1	
6-0	1-0	△	MATERIAL	DESCRIPTION	ITEM

THIS DRAWING IS A CONTROLLED DOCUMENT.		DWN J.SANDWELL 16MAY06	Tyco Electronics Corporation	
DIMENSIONS: mm		CHK S.PARLOW 16MAY06	Kunshan,Jiangsu ,RPC 215321	
TOLERANCES UNLESS OTHERWISE SPECIFIED:		APVD E.WHEELER-KING 16MAY06	NAME TNC BULKHEAD JACK REAR MOUNT CRIMP 50 OHM	
0 PLC ±		PRODUCT SPEC	RG58C/U, 141A/U, URM43, 76, KX15	
1 PLC ±		APPLICATION SPEC	SIZE A3 CAGE CODE 00779 DRAWING NO 1337615	
2 PLC ±		WEIGHT 411-3247	RESTRICTED TO	
3 PLC ±		MATERIAL SEE TABLE	CUSTOMER DRAWING	
4 PLC ±		FINISH	SCALE NTS SHEET 1 OF 1 REV D	
5 BCC ±				
6 ANGLES ±				