

4

3

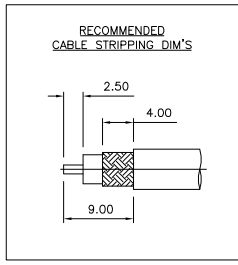
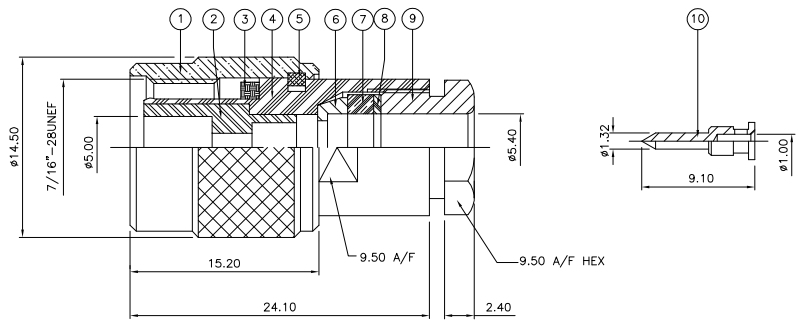
2

1

THIS DRAWING IS UNPUBLISHED. RELEASED FOR PUBLICATION FEB. 2006.
 1.00 BY TYCO ELECTRONICS CORPORATION. ALL RIGHTS RESERVED.

LOC	DIST	REVISIONS			
P	LTR	DESCRIPTION	DATE	DWN	APVD
C		ECR-06-002568	15FEB06	JMS	FWK

- NOTES:**
- ⚠ PACK IN ACCORDANCE WITH AMP SPEC 107-3275
 - ⚠ 100 TRAY PACK IN ACCORDANCE WITH AMP SPEC 107-3275
 - ⚠ Au PLATING
 - ⚠ Ni PLATING
 - ⚠ THIS ITEM MUST BE WHITE
- 6 ELECTRICAL CHARACTERISTICS**
- | | |
|-------------------------------|----------------------------|
| FREQUENCY RANGE: | DC - 11 GHz |
| NOMINAL IMPEDANCE: | 50 Ohm |
| INSULATION RESISTANCE: | 5000 MOhm |
| WORKING VOLTAGE: | 500 Volts RMS at Sea Level |
| DIELECTRIC WITHSTAND VOLTAGE: | 1500 Volts RMS Max |
| CONTACT RESISTANCE: | |
| CENTRE CONTACT: | 1.50 mOhm Max |
| OUTER CONTACT: | 1.00 mOhm Max |
| VSWR @ 4GHz: | 1.30:1 Max |
| INSERTION LOSS dB @ x 3 GHz: | 0.20 Max |
- 7 MECHANICAL CHARACTERISTICS**
- | | |
|-------------------------------|----------------|
| COUPLING NUT RETENTION FORCE: | 445N Min |
| CABLE RETENTION FORCE: | 170N Min |
| CLAMP NUT RECOMMENDED TORQUE: | 4N |
| DURABILITY: | 500 Cycles Min |
- 8 ENVIRONMENTAL CHARACTERISTICS**
- | | |
|------------------------|------------------|
| OPERATING TEMPERATURE: | -65 to +165 DegC |
|------------------------|------------------|



QTY	UNIT	MATERIAL	DESCRIPTION	ITEM
1	1	BRASS	CONTACT	10
1	1	BRASS	CLAMP NUT	9
1	1	BRASS	WASHER	8
1	1	SILICONE RUBBER	GASKET	7
1	1	BRASS	SLEEVE	6
1	1	BRASS	CIRCLIP	5
1	1	BRASS	BODY	4
1	1	SILICONE RUBBER	GASKET	3
1	1	PTFE	INSULATION	2
1	1	BRASS	COUPLING NUT	1
6--0	1--0	MATERIAL	DESCRIPTION	ITEM

THIS DRAWING IS A CONTROLLED DOCUMENT.

DIMENSIONS: mm	TOLERANCES UNLESS OTHERWISE SPECIFIED:	DWN J. SANDWELL 15FEB06	Tyco Electronics Corporation Bideford EX39 4HE
	0 PLC ± -	CHK S. PARLOW 15FEB06	
	1 PLC ± -	APVD F. WHEELER-KING 15FEB06	
	2 PLC ± -	PRODUCT SPEC	
MATERIAL	FINISH	APPLICATION SPEC	NAME
SEE TABLE	-	411-3252	TNC STRAIGHT PLUG MIL-CLAMP 50 OHM
		WEIGHT	RG58C/U, 141A/U, URM43, 76 & BELDEN 9907, KX15
		CUSTOMER DRAWING	SIZE CAGE CODE DRAWING NO RESTRICTED TO
			A3 00779 C=1337612
			SCALE NTS SHEET 1 OF 1 REV C