

4

3

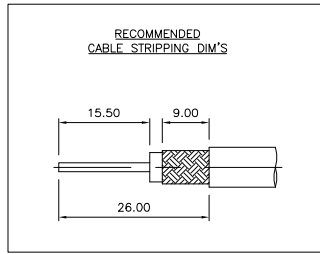
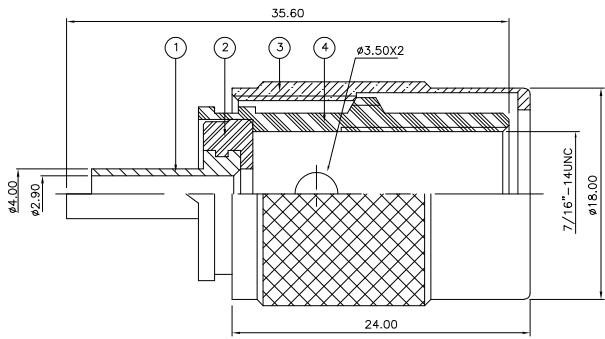
2

1

THIS DRAWING IS UNPUBLISHED. RELEASED FOR PUBLICATION JAN .2006.
 © COPYRIGHT 2006 BY TYCO ELECTRONICS CORPORATION. ALL RIGHTS RESERVED.

LOC	DIST	REVISIONS			
P	LTR	DESCRIPTION	DATE	DWN	APVD
C		ECR-05-017969	09JAN06	JMS	FWK

- NOTES:**
- ⚠ PACK IN ACCORDANCE WITH AMP SPEC 107-3275
 - ⚠ 100 TRAY PACK IN ACCORDANCE WITH AMP SPEC 107-3275
 - ⚠ Ag PLATING
 - ⚠ **ELECTRICAL CHARACTERISTICS**
 - FREQUENCY RANGE: DC - 500 MHz
 - NOMINAL IMPEDANCE: Non Constant
 - INSULATION RESISTANCE: 5000 MOhm
 - WORKING VOLTAGE: 500 Volts RMS at Sea Level
 - DIELECTRIC WITHSTAND VOLTAGE: 1500 Volts RMS Max
 - CONTACT RESISTANCE: 3.00 mOhm Max
 - CENTRE CONTACT: 2.00 mOhm Max
 - OUTER CONTACT: 2.00 mOhm Max
 - 5 **MECHANICAL CHARACTERISTICS**
 - COUPLING NUT RETENTION FORCE: 445N Min
 - CABLE RETENTION FORCE: 85N Min
 - DURABILITY: 500 Cycles Min
 - 6 **ENVIRONMENTAL CHARACTERISTICS**
 - OPERATING TEMPERATURE: -65 to +165 DegC



QTY	1	1	MATERIAL	DESCRIPTION	ITEM
	1	1	BRASS	⚠ BODY	4
	1	1	BRASS	⚠ COUPLING NUT	3
	1	1	PTFE	INSULATION	2
	1	1	BRASS	⚠ CONTACT	1
	6--0	1--0			

THIS DRAWING IS A CONTROLLED DOCUMENT.

DIMENSIONS: mm	TOLERANCES UNLESS OTHERWISE SPECIFIED:	DWN: J.SANDWELL 09JAN06	CHK: S.PARLOW 09JAN06	APVD: F.WHEELER-KING 09JAN06	NAME: F.WHEELER-KING
0 PLC ± -	1 PLC ± -	2 PLC ± -	3 PLC ± -	4 PLC ± -	ANGLES ± -
MATERIAL: SEE TABLE	FINISH: -	APPLICATION SPEC: 411-3260	WEIGHT: -	Tyco Electronics Tyco Electronics Corporation Bideford EX39 4HE UHF TWIST-ON STRAIGHT PLUG RG8A/U, 9B/U, 213/U, 214/U, URM67, 91, KX4, KX13, KX24	
CUSTOMER DRAWING			SIZE: A3	CAGE CODE: 00779	DRAWING NO: 1337474
			SCALE: NTS	SHEET: 1 OF 1	REV: C