

4

3

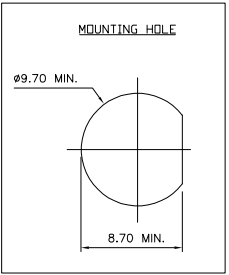
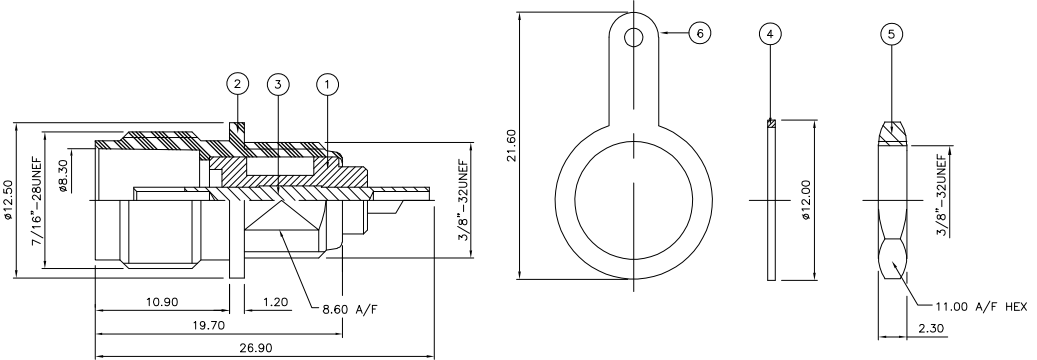
2

1

THIS DRAWING IS UNPUBLISHED. RELEASED FOR PUBLICATION DEC. 2005.
 © COPYRIGHT 2005 BY TYCO ELECTRONICS CORPORATION. ALL RIGHTS RESERVED.

LOC	DIST	REVISIONS			
P	LTR	DESCRIPTION	DATE	DWN	APVD
C		ECR-05-017969	15DEC05	JMS	FWK

- NOTES:**
- ⚠ PACK IN ACCORDANCE WITH AMP SPEC 107-3275
 - ⚠ 100 TRAY PACK IN ACCORDANCE WITH AMP SPEC 107-3275
 - ⚠ Ag PLATING
- 4 **ELECTRICAL CHARACTERISTICS**
- | | |
|-------------------------------|----------------------------|
| FREQUENCY RANGE: | DC - 11 GHz |
| NOMINAL IMPEDANCE: | 50 Ohm |
| INSULATION RESISTANCE: | 5000 MOhm |
| WORKING VOLTAGE: | 500 Volts RMS at Sea Level |
| DIELECTRIC WITHSTAND VOLTAGE: | 1500 Volts RMS Max |
| CONTACT RESISTANCE: | 1.50 mOhm Max |
| CENTRE CONTACT: | 1.00 mOhm Max |
| OUTER CONTACT: | 0.20 Max |
| INSERTION LOSS db: | |
- 5 **MECHANICAL CHARACTERISTICS**
- | | |
|-------------------------------|----------------|
| MOUNT NUT RECOMMENDED TORQUE: | 2.5N |
| DURABILITY: | 500 Cycles Min |
- 6 **ENVIRONMENTAL CHARACTERISTICS**
- | | |
|------------------------|------------------|
| OPERATING TEMPERATURE: | -65 to +165 DegC |
|------------------------|------------------|



QTY	PER ASSY	MATERIAL	DESCRIPTION	ITEM
1	1	BRASS	SOLDER TAG	6
1	1	BRASS	HEX NUT	5
1	1	BRASS	WASHER	4
1	1	BRASS	CONTACT	3
1	1	BRASS	BODY	2
1	1	TEFLON	INSULATION	1
6	1-0	MATERIAL	DESCRIPTION	ITEM

THIS DRAWING IS A CONTROLLED DOCUMENT.

DIMENSIONS: mm	TOLERANCES UNLESS OTHERWISE SPECIFIED:	DWN J. SANDWELL 15DEC05	15DEC05
		CHK S. PARLOW 15DEC05	
		APVD F. WHEELER-KING 15DEC05	
		PRODUCT SPEC	
		APPLICATION SPEC	
		WEIGHT	
MATERIAL SEE TABLE	FINISH	tyco Electronics Tyco Electronics Corporation Bideford EX39 4HE NAME TNC BULKHEAD SOCKET FRONT MOUNT 50 & 75 OHM + TAG SIZE A3 CAGE CODE 00779 DRAWING NO 1337469 RESTRICTED TO CUSTOMER DRAWING SCALE NTS SHEET 1 of 1 REV C	