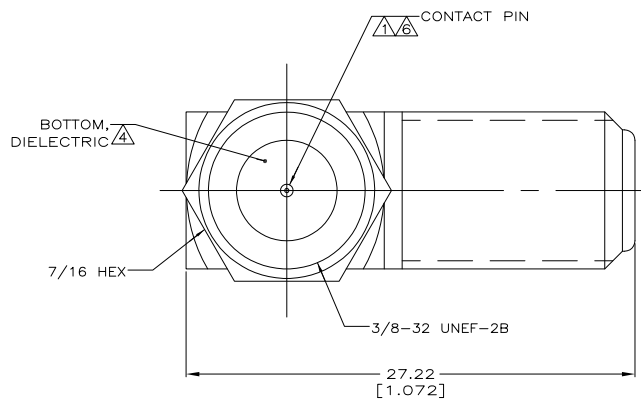
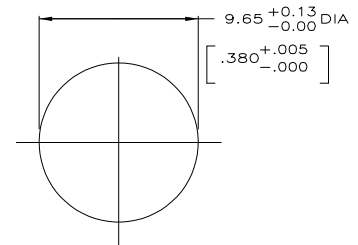
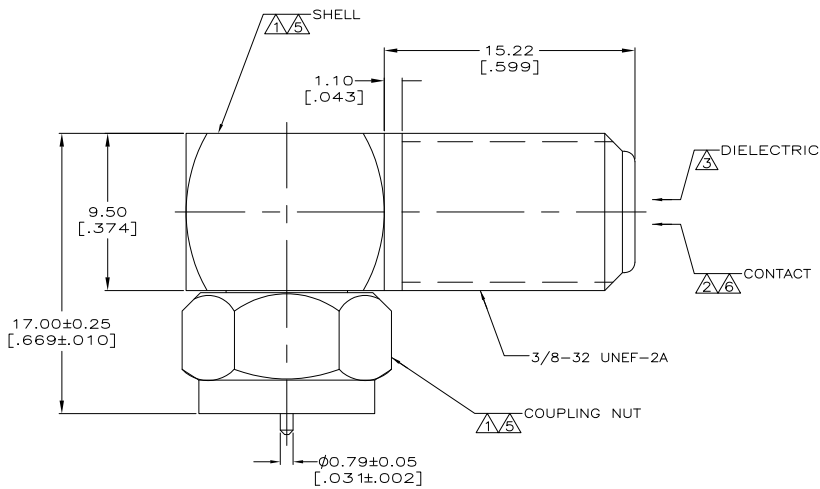


THIS DRAWING IS UNPUBLISHED. RELEASED FOR PUBLICATION
 © COPYRIGHT BY TYCO ELECTRONICS CORPORATION. ALL RIGHTS RESERVED.

LOC	DIST	REVISIONS		
F	LTR	DESCRIPTION	DATE	DWN
AJ	00	REV PER ECO 06-016786	1/23/2007	DW



- 1 BRASS.
 - 2 PHOSPHOR BRONZE.
 - 3 POLYPROPYLENE, GENERAL PURPOSE
 - 4 PTFE.
 - 5 NICKEL PLATE 2.54 μm [.000100] MINIMUM THICK.
 - 6 TIN PLATE 2.54 μm [.000100] MINIMUM THICK.
7. CONNECTOR WILL ACCEPT CENTER CONDUCTOR DIAMETER RANGE OF 0.51 [.020]-1.19 [.047]

5887089-1
PART NO

THIS DRAWING IS A CONTROLLED DOCUMENT.		DWN L. VARELA 01FEB2005	TYCO Electronics	Tyco Electronics Corporation Harrisburg, PA 17105-3608
DIMENSIONS: mm [INCHES]		CHK J. HAVENER 01FEB2005	PART NO	
TOLERANCES UNLESS OTHERWISE SPECIFIED:		APPC K. WEIDNER 01FEB2005	NAME	
0 PLC ± .-		PRODUCT SPEC	108-1755	
1 PLC ± .-		APPLICATION SPEC	-	
2 PLC ± 0.20 (.008)		WEIGHT	-	
3 PLC ± .-		FINISH	-	
4 PLC ± .-		MATERIAL	-	
ANGLES ± .-		MATERIAL	-	
SEE NOTES 1-4		FINISH	-	
SEE NOTES 5 & 6		FINISH	-	
CUSTOMER DRAWING		SIZE	A2	00779
		CAGE CODE	C=5887089	
		DRAWING NO	-	
		RESTRICTED TO	-	
		SCALE	6:1	SHEET 1 of 1
		REV	A	

AMP 1471-9 REV 31MM2000

5887089

A