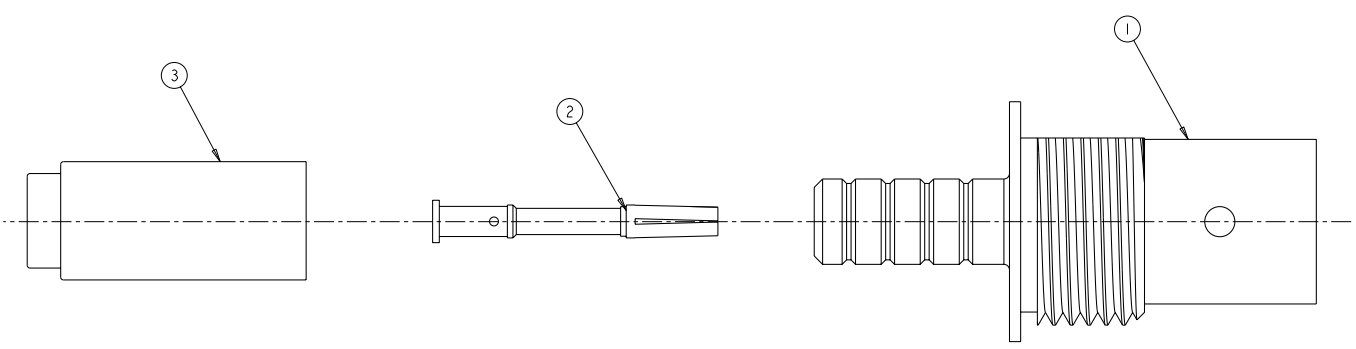
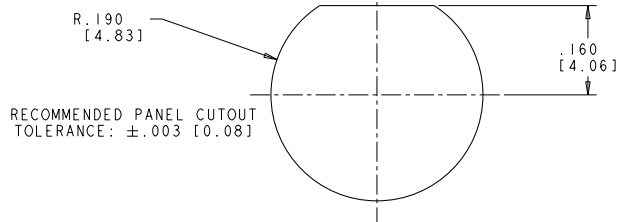


REV	DATE	BY	APPV
E1	12MAY2011	JK	HMR



1. ITEMS PACKAGED UNASSEMBLED.
2. ITEMS 4 AND 5 NOT SHOWN FOR CLARITY.
3. SEE SEPARATE CUSTOMER DRAWINGS FOR ITEM DETAILS.
4. SEE INSTRUCTION SHEET 408-8871 FOR CABLE TERMINATION DETAILS.



RG179	.042 [1.07]	.178 [4.52]	1-329492-1	2-330249-2	9-413658-0	1274570-9	1274569-3	1274568-3
734A	.042 [1.07]	.255 [6.48]	1-329492-1	2-330249-2	9-221132-3	1274570-6	1274569-2	1274568-2
735A	.042 [1.07]	.178 [4.52]	1-329492-1	2-330249-2	9-413658-2	1274570-3	1274569-1	1274568-1
CABLE	CONTACT CRIMP (SQUARE)	FERRULE CRIMP (HEX)	⑤ LOCKWASHER QTY = 1	④ JAM NUT QTY = 1	③ FERRULE QTY = 1	② CONTACT QTY = 1	① JACK ASSY QTY = 1	PART NUMBER

THIS DRAWING IS A CONTROLLED DOCUMENT.

DATE: 02 JUN 2003
 BY: WELDER
 CHK: MICHAEL
 APPV: FEB2004

TE Connectivity
BULKHEAD JACK KIT, MINI BNC

PRODUCT SPEC: 108-2159
 APPLICATION SPEC: -
 MATERIAL: -
 FINISH: -
 WEIGHT: -
 CUSTOMER DRAWING

SHEET: A200779
 CASE CODE: -
 DRAWING NO: 1274568
 RESTRICTED TO: -
 SCALE: 8:1
 SHEET: 1 OF 1
 REV: E1