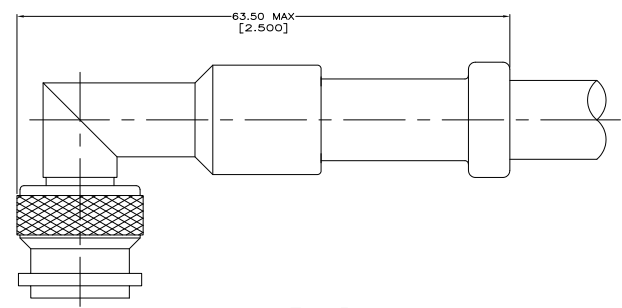
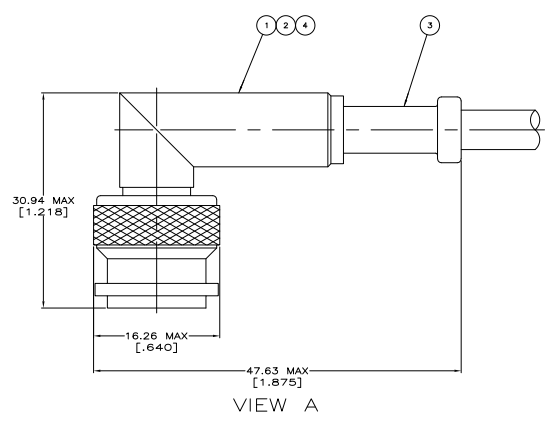


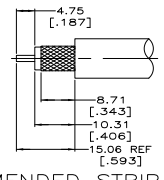
THIS DRAWING IS UNPUBLISHED
 ALL RIGHTS RESERVED

REV	DATE	DESCRIPTION	BY	CHK	APP
AJ	16				
M2		REVISED PER EDD-11-005030	11MM11	RK	HMR

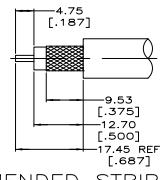
1. USE INSTRUCTION SHEET 2299-5



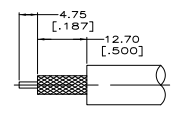
VIEW B
 SAME AS VIEW A, EXCEPT AS SHOWN



RECOMMENDED STRIP LENGTH
 NO SCALE
 FOR 225554-2 AND 225554-6



RECOMMENDED STRIP LENGTH
 NO SCALE
 FOR 1-225554-2



RECOMMENDED STRIP LENGTH
 NO SCALE
 FOR 225554-9 AND 1-225554-1

SUPERSEDED BY 225554-6	RG-142/U, 142A/U, 142B/U	-	225592-2	225560-1	225471-3	225518-1	-	7-225554-6
OBSOLETE	RG-59B/U & 62B/U	-	225592-3	225560-3	225471-2	225518-2	-	7-225554-3
SUPERSEDED BY 225554-2	RG-58A/U, 58C/U	-	225592-1	225560-2	225471-1	225518-1	-	7-225554-2
OBSOLETE	BXS-7004-501	-	225592-6	225612-4	225599-1	225518-6	-	1-225554-6
OBSOLETE	MICRO-00T 250-4172, 250-4208 (BXS-704-502)	220015-3	-	225612-2	225599-1	225518-5	-	1-225554-2
OBSOLETE	RG-393/U	220015-1	332022	225490-1	225471-7	225518-3	B	1-225554-1
OBSOLETE	RG-9/U, 9A/U & 214/U	220015-1	-	331987	225599-1	225518-3	B	225554-9
OBSOLETE	RG-225/U	-	332022	331987	225471-7	225518-3	-	225554-7
OBSOLETE	RG-142/U, 142A/U, 142B/U	220045-2	-	225560-1	225471-3	3-225518-1	A	225554-6
OBSOLETE	RG-58A/U, 58C/U	220045-2	-	225560-2	225471-1	2-225518-1	A	225554-2
OBSOLETE	RG-55/U, 55A/U, 55B/U & 223/U	220045-2	225592-2	225560-1	225471-1	225518-1	A	225554-1
	CABLE	CRIMP TOOL	SEAL QTY=1	FERRULE QTY=1	CONTACT QTY=1	PLUG ASSEMBLY QTY=1	VIEW	PART NUMBER

THIS DRAWING IS A CONTROLLED DOCUMENT.

APPROVED: MICHAEL E. CORREY
 DESIGNER: FRANK P. MORANA
 DATE: 108-12001

TE Connectivity
 PLUG, RIGHT ANGLE, WEATHERPROOF, TNC

SIZE: A1
 DATE: 00779
 DRAWING ID: 225554
 CUSTOMER DRAWING