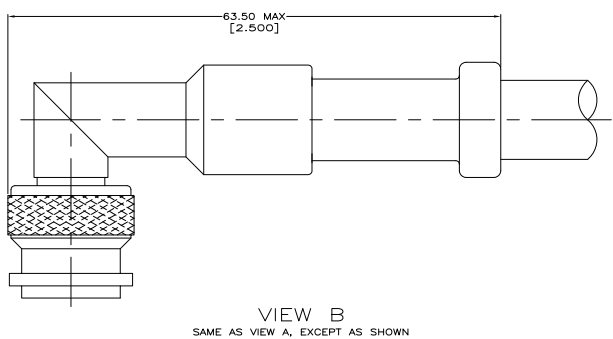
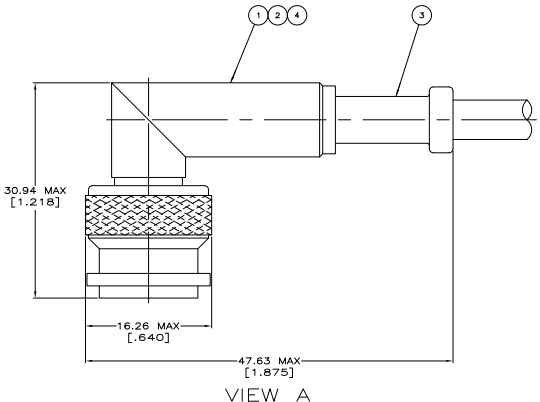


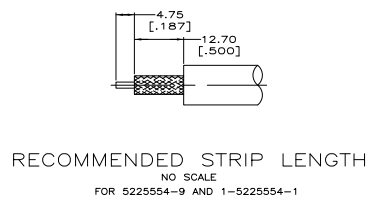
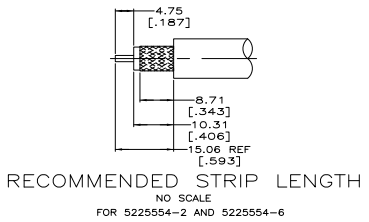
THIS DRAWING IS UNPUBLISHED. REPRODUCED FOR INFORMATION. ALL RIGHTS RESERVED.

REV	DATE	DESCRIPTION	BY	CHK	APP
16					
AJ		REV PER ECO 06-00233	DAWPK06	GB	JHT

1. USE INSTRUCTION SHEET 408-2299-5.



VIEW B  
SAME AS VIEW A, EXCEPT AS SHOWN



RG-393/U	220015-1	332022	9-225490-1	225471-7	9-225518-0	B	1-5225554-1
RG-9/U, 9A/U & 214/U	220015-1	332022	9-331987-3	225599-1	9-225518-0	B	5225554-9
RG-142/U, 142A/U, 142B/U	220045-2	-	9-225560-6	225471-3	9-225518-2	A	5225554-6
RG-58A/U, 58C/U	220045-2	-	9-225560-5	225471-1	9-225518-1	A	5225554-2
CABLE	CRIMP TOOL	④ SEAL QTY=1	③ FERRULE QTY=1	② CONTACT QTY=1	① PLUG ASSEMBLY QTY=1	VIEW	PART NUMBER

THIS DRAWING IS A CONTROLLED DOCUMENT.

DESIGNED BY	APPROVED BY	DATE
108-12001		
CUSTOMER DRAWING	DATE	REV
	00779	5225554
	4.1	1

PLUG, RIGHT ANGLE, WEATHERPROOF, TNC